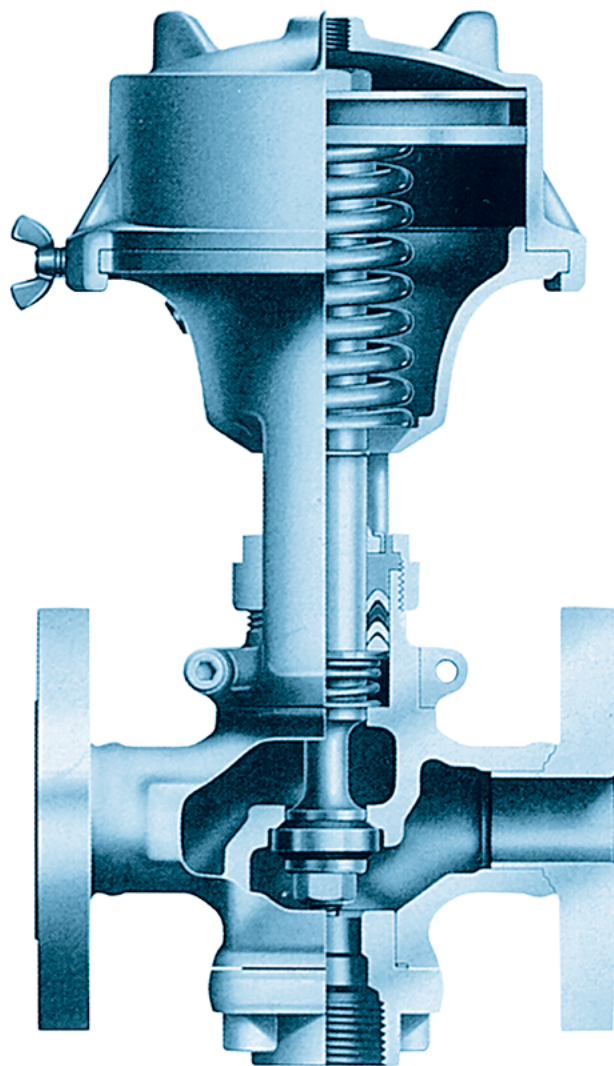


airtec *ROCKY*

Piston Valves
Control Valves
Steam Regulators



Series TPC Page 2



Series FP Page 22



Series DC Page 25



Series SR Page 35



Series MT Page 40



Series MP Page 40



Series PMM Page 45



Series PPM Page 48



Series PDC Page 51



Series PSR Page 55



Series YL Page 63



Accessories TPC,MT Page 59



For over 30 years, the ROCKY products have been marketed by AIRTEC and employed worldwide. Modern precision manufacturing methods and the very best materials guarantee ROCKY valves to be of the highest quality and reliability. TPC valves and accessories were primarily developed for the rationalization and automation of processes used in the tire, plastic and rubber manufacturing industries.

Key features

- Stainless steel body, seats, stem and flanges
- Teflon® piston ring
- Carbon Teflon® disc rings
- Teflon® and Carbon Teflon® gland packings
- 2 or 3 way function by adding or removing a plug in port 3
- Normally open or normally closed function

Technical data

Operating pressure	max. 40 bar (580 psi)
Back pressure	max. 25 bar (362 psi)
Pilot pressure	2.5 – 3.5 bar (36-51 psi)
Nominal pressure	PN 40
Leakage rate	ISO 5208 Rate A
Temperature range	- 30°C to + 230°C (- 22°F to + 446°F)
Connections	Thread BSPT, NPT, PT Flansch DIN, ANSI, JIS
Media	Steam, nitrogen and other inert gases, hot or cold water, air



Order Code

TPC-2***-*****

Series

TPC-2	Standard
TPC-4	High frequency valve

Version

2	2/2-way
3	3/2-way

Function

1	Normally closed (NC)
2	Normally open (NO)

Connections

1	Thread
2	Flange / thread
3	Flange

Nominal size / thread

08	8 mm	1/4
10	10 mm	3/8
15	15 mm	1/2
20	20 mm	3/4
25	25 mm	1
32	32 mm	1 1/4
40	40 mm	1 1/2
50*	50 mm	-

Material gland packing

	Teflon® and Carbon Teflon®
H	Carbon Teflon® (up to + 250°C / + 482°F)
C	2/2-way valve

Material

X	Lower seat stainless steel
Y	Flange stainless steel

Type of thread lower seat

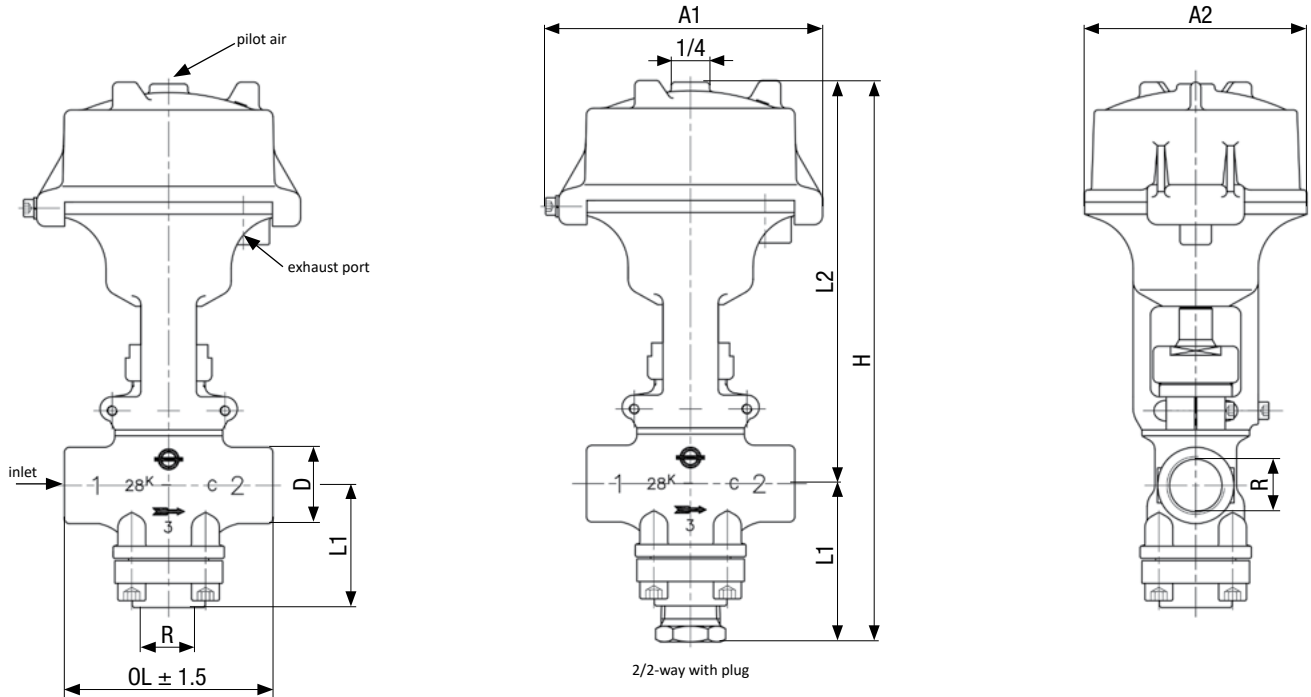
B	BSPT thread
N*	NPT thread
P*	PT thread

Type of thread / flange

B	BSPT thread
N*	NPT thread
P*	PT thread
D	DIN flange
A*	ANSI flange
J*	JIS flange

* Available on request. No stock item.

Dimensions (mm)



TPC valve, tapped, 2/2-way, NC

Model No.	DN	Internal thread*	D	OL	L1	L2	H	A1	A2	Stroke	Weight (kg)
TPC-2211-08BX	8	1/4	30	85	61.3	163.5	224.8	120	82	9.3	2.7
TPC-2211-10BX	10	3/8	30	85	64	163.5	227.5	120	82	9.3	2.7
TPC-2211-15BX	15	1/2	30	85	65.1	163.5	228.6	120	82	9.3	2.7
TPC-2211-20BX	20	3/4	38	110	84.8	193	277.8	139	100	12	4.3
TPC-2211-25BX	25	1	44	120	90.9	232	322.9	169	128	18	6.8
TPC-2211-32BX	32	1 1/4	55	145	112.6	250	362.6	185	142	20	9.8
TPC-2211-40BX	40	1 1/2	62	150	115.6	302	417.6	211	170	23	16

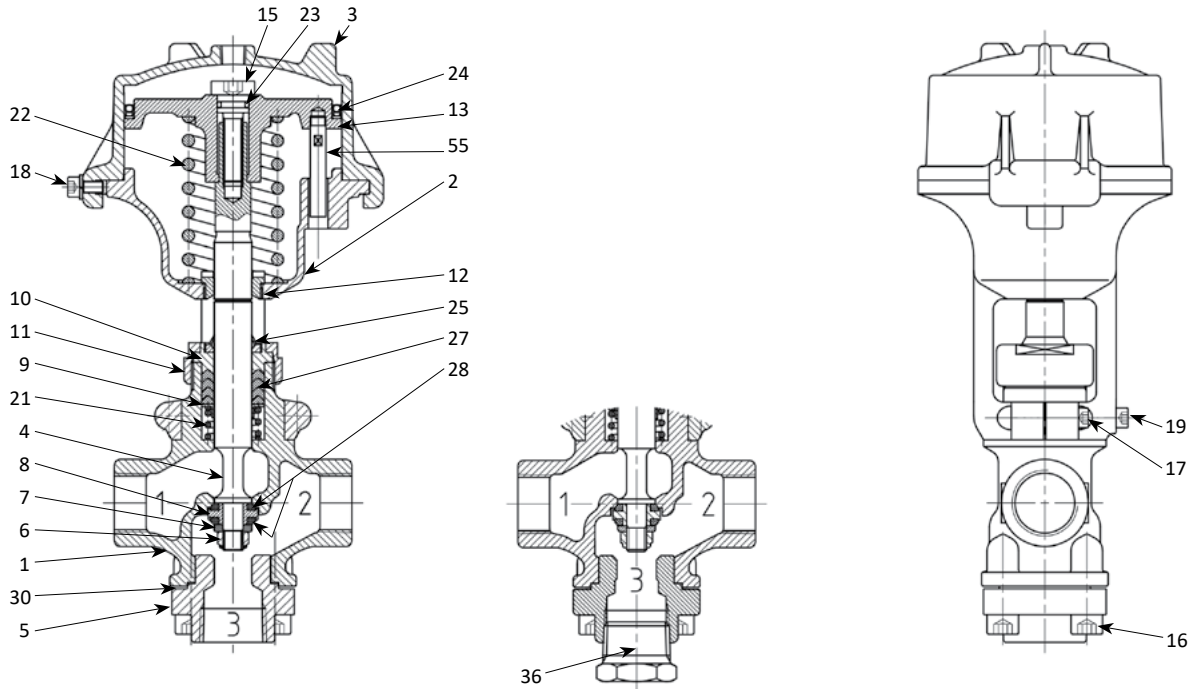
TPC valve, tapped, 3/2-way, NC

Model No.	DN	Internal thread*	D	OL	L1	L2	H	A1	A2	Stroke	Weight (kg)
TPC-2311-08BX	8	1/4	30	85	48.3	163.5	211.8	120	82	9.3	2.7
TPC-2311-10BX	10	3/8	30	85	48.3	163.5	211.8	120	82	9.3	2.7
TPC-2311-15BX	15	1/2	30	85	48.3	163.5	211.8	120	82	9.3	2.7
TPC-2311-20BX	20	3/4	38	110	66.3	193	259.3	139	100	12	4.3
TPC-2311-25BX	25	1	44	120	71.3	232	303.3	169	128	18	6.8
TPC-2311-32BX	32	1 1/4	55	145	91.3	250	341.3	185	142	20	9.8
TPC-2311-40BX	40	1 1/2	62	150	91.3	302	393.3	211	170	23	16

*Thread type BSPT (Rc) according to ISO 7-1 DIN EN 10226/1. Valves with NPT or PT thread are available on request (The dimensions are identical to the standard BSPT version).

For the order number please see the ordering number code on page 3 .

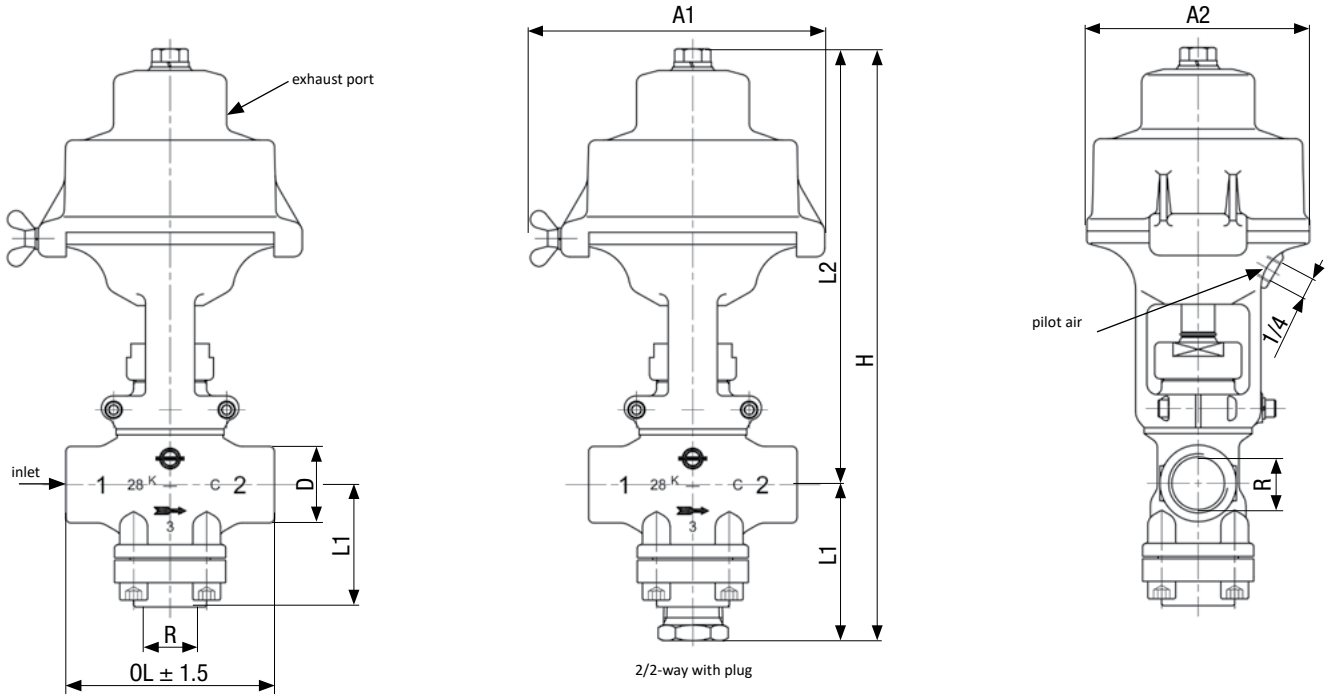
Spare parts



No.	Name	Valve	TPC-2211-08*X TPC-2311-08*X	TPC-2211-10*X TPC-2311-10*X	TPC-2211-15*X TPC-2311-15*X	TPC-2211-20*X TPC-2311-20*X	TPC-2211-25*X TPC-2311-25*X	TPC-2211-32*X TPC-2311-32*X	TPC-2211-40*X TPC-2311-40*X
1	Body		C-21108 - 01 *	C-21110 - 01 *	C-21115 - 01 *	C-21120 - 01 *	C-21125 - 01 *	C-21132 - 01 *	C-21140 - 01 *
2	Yoke		C-21115 - 02	C-21115 - 02	C-21115 - 02	C-21120 - 02	C-21125 - 02	C-21132 - 02	C-21140 - 02
3	Cylinder		C-21115 - 03 *	C-21115 - 03 *	C-21115 - 03 *	C-21120 - 03 *	C-21125 - 03 *	C-21132 - 03 *	C-21140 - 03 *
4	Stem		C-21115 - 04	C-21115 - 04	C-21115 - 04	C-21120 - 04	C-21125 - 04	C-21132 - 04	C-21140 - 04
5	Lower seat		C-21108 - 05 *X	C-21110 - 05 *X	C-21115 - 05 *X	C-21120 - 05 *X	C-21125 - 05 *X	C-21132 - 05 *X	C-21140 - 05 *X
6	U-nut		C-21115 - 06	C-21115 - 06	C-21115 - 06	C-21120 - 06	C-21125 - 06	C-21132 - 06	C-21140 - 06
7	Guide washer		C-21115 - 07	C-21115 - 07	C-21115 - 07	C-21120 - 07	C-21125 - 07	C-21132 - 07	C-21140 - 07
8	Disc adapter		C-21115 - 08	C-21115 - 08	C-21115 - 08	C-21120 - 08	C-21125 - 08	C-21132 - 08	C-21140 - 08
9	Ring washer		C-21115 - 09	C-21115 - 09	C-21115 - 09	C-21120 - 09	C-21125 - 09	C-21132 - 09	C-21140 - 09
10	Gland		C-21115 - 10	C-21115 - 10	C-21115 - 10	C-21120 - 10	C-21125 - 10	C-21132 - 10	C-21140 - 10
11	Gland nut		C-21115 - 11	C-21115 - 11	C-21115 - 11	C-21120 - 11	C-21125 - 11	C-21132 - 11	C-21140 - 11
12	Guide bushing		C-21115 - 12	C-21115 - 12	C-21115 - 12	C-21120 - 12	C-21125 - 12	C-21132 - 12	C-21140 - 12
13	Piston		C-21115 - 13	C-21115 - 13	C-21115 - 13	C-21120 - 13	C-21125 - 13	C-21132 - 13	C-21140 - 13
15	Tension bolt		C-21115 - 15	C-21115 - 15	C-21115 - 15	C-21120 - 15	C-21125 - 15	C-21132 - 15	C-21140 - 15
16	Socket cap screw		C-21115 - 16	C-21115 - 16	C-21115 - 16	C-21120 - 16	C-21125 - 16	C-21132 - 16	C-21140 - 16
17	Socket cap screw		C-21115 - 17	C-21115 - 17	C-21115 - 17	C-21120 - 17	C-21125 - 17	C-21132 - 17	C-21140 - 17
18	Wing bolt		C-21115 - 18	C-21115 - 18	C-21115 - 18	C-21120 - 18	C-21125 - 18	C-21132 - 18	C-21140 - 18
19	Socket cap screw		C-21115 - 19	C-21115 - 19	C-21115 - 19	C-21120 - 19	C-21125 - 19	C-21132 - 19	C-21140 - 19
21	Packing spring		C-21115 - 21	C-21115 - 21	C-21115 - 21	C-21120 - 21	C-21125 - 21	C-21132 - 21	C-21140 - 21
22	Piston Spring		C-21115 - 22	C-21115 - 22	C-21115 - 22	C-21120 - 22	C-21125 - 22	C-21132 - 22	C-21140 - 22
23	O-ring		C-21115 - 23	C-21115 - 23	C-21115 - 23	C-21120 - 23	C-21125 - 23	C-21132 - 23	C-21140 - 23
24	Piston ring		C-21115 - 24	C-21115 - 24	C-21115 - 24	C-21120 - 24	C-21125 - 24	C-21132 - 24	C-21140 - 24
25	Dust seal		C-21115 - 25	C-21115 - 25	C-21115 - 25	C-21120 - 25	C-21125 - 25	C-21132 - 25	C-21140 - 25
27	Gland packing		C-21115 - 27	C-21115 - 27	C-21115 - 27	C-21120 - 27	C-21125 - 27	C-21132 - 27	C-21140 - 27
28	Disc ring (2x)		C-21115 - 28	C-21115 - 28	C-21115 - 28	C-21120 - 28	C-21125 - 28	C-21132 - 28	C-21140 - 28
30	Lower seat gasket		C-21115 - 30	C-21115 - 30	C-21115 - 30	C-21120 - 30	C-21125 - 30	C-21132 - 30	C-21140 - 30
36	Plug		C-21108 - 36 *X	C-21110 - 36 *X	C-21115 - 36 *X	C-21120 - 36 *X	C-21125 - 36 *X	C-21132 - 36 *X	C-21140 - 36 *X
55	Pin gauge		C-21108 - 55	C-21119 - 55	C-21115 - 55	C-21120 - 55	C-21125 - 55	C-21132 - 55	C-21140 - 55

* please complete: B = BSPT thread. N = NPT thread

Dimensions (mm)



TPC valve. tapped. 2/2-way. NO

Model No.	DN	Internal thread*	D	OL	L1	L2	H	A1	A2	Stroke	Weight (kg)
TPC-2221-08BX	8	1/4	30	85	61.3	163.5	224.8	120	82	9.3	2.7
TPC-2221-10BX	10	3/8	30	85	64	163.5	227.5	120	82	9.3	2.7
TPC-2221-15BX	15	1/2	30	85	65.1	163.5	228.6	120	82	9.3	2.7
TPC-2221-20BX	20	3/4	38	110	84.8	193	277.8	139	100	12	4.3
TPC-2221-25BX	25	1	44	120	90.9	232	322.9	169	128	18	6.8
TPC-2221-40BX	40	1 1/2	62	150	115.6	302	417.6	211	170	23	16

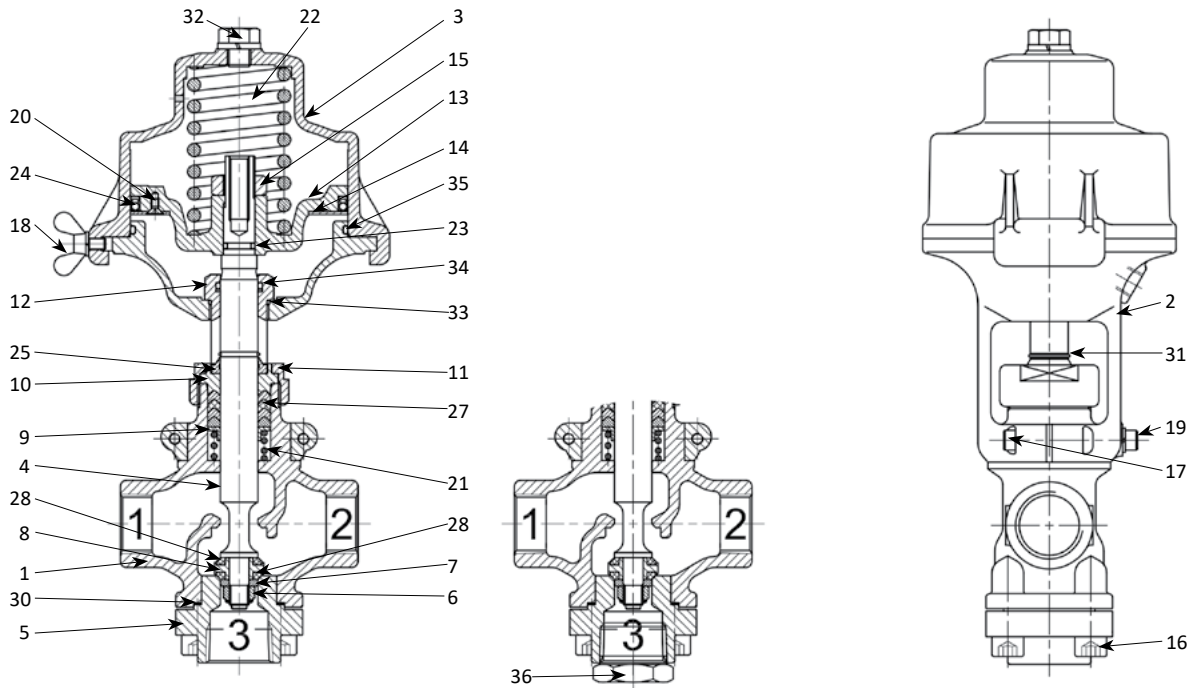
TPC valve. tapped. 3/2-way. NO

Model No.	DN	Internal thread*	D	OL	L1	L2	H	A1	A2	Stroke	Weight (kg)
TPC-2321-08BX	8	1/4	30	85	48.3	163.5	211.8	120	82	9.3	2.7
TPC-2321-10BX	10	3/8	30	85	48.3	163.5	211.8	120	82	9.3	2.7
TPC-2321-15BX	15	1/2	30	85	48.3	163.5	211.8	120	82	9.3	2.7
TPC-2321-20BX	20	3/4	38	110	66.3	193	259.3	139	100	12	4.3
TPC-2321-25BX	25	1	44	120	71.3	232	303.3	169	128	18	6.8
TPC-2321-40BX	40	1 1/2	62	150	91.3	302	393.3	211	170	23	16

*Thread type BSPT (Rc) according to ISO 7-1 DIN EN 10226/1. Valves with NPT or PT thread are available on request (The dimensions are identical to the standard BSPT version).

For the order number please see the ordering number code on page 3 .

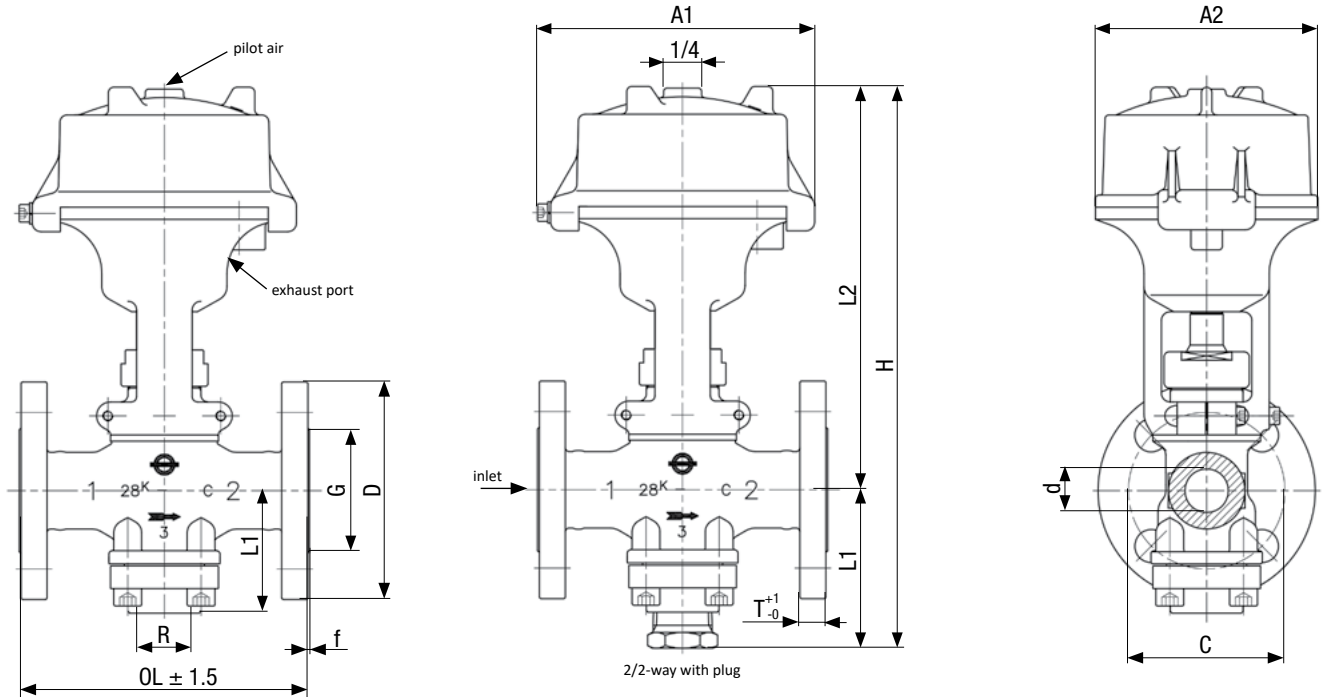
Spare parts



No.	Name	Valve	TPC-2221-08*X TPC-2321-08*X	TPC-2221-10*X TPC-2321-10*X	TPC-2221-15*X TPC-2321-15*X	TPC-2221-20*X TPC-2321-20*X	TPC-2221-25*X TPC-2321-25*X	TPC-2221-40*X TPC-2321-40*X
1	Body		C-21108 - 01 *	C-21110 - 01 *	C-21115 - 01 *	C-21120 - 01 *	C-21125 - 01 *	C-21140 - 01 *
2	Yoke		C-22115 - 02	C-22115 - 02	C-22115 - 02	C-22120 - 02	C-22125 - 02	C-22140 - 02
3	Cylinder		C-22115 - 03 *	C-22115 - 03 *	C-22115 - 03 *	C-22120 - 03 *	C-22125 - 03 *	C-22140 - 03 *
4	Stem		C-22115 - 04	C-22115 - 04	C-22115 - 04	C-22120 - 04	C-22125 - 04	C-22140 - 04
5	Lower seat		C-21108 - 05 *X	C-21110 - 05 *X	C-21115 - 05 *X	C-21120 - 05 *X	C-21125 - 05 *X	C-21140 - 05 *X
6	U-nut		C-21115 - 06	C-21115 - 06	C-21115 - 06	C-21120 - 06	C-21125 - 06	C-21140 - 06
7	Guide washer		C-21115 - 07	C-21115 - 07	C-21115 - 07	C-21120 - 07	C-21125 - 07	C-21140 - 07
8	Disc adapter		C-21115 - 08	C-21115 - 08	C-21115 - 08	C-21120 - 08	C-21125 - 08	C-21140 - 08
9	Ring washer		C-21115 - 09	C-21115 - 09	C-21115 - 09	C-21120 - 09	C-21125 - 09	C-21140 - 09
10	Gland		C-21115 - 10	C-21115 - 10	C-21115 - 10	C-21120 - 10	C-21125 - 10	C-21140 - 10
11	Gland nut		C-21115 - 11	C-21115 - 11	C-21115 - 11	C-21120 - 11	C-21125 - 11	C-21140 - 11
12	Guide bushing		C-22115 - 12	C-22115 - 12	C-22115 - 12	C-22120 - 12	C-22125 - 12	C-22140 - 12
13	Piston		C-22115 - 13	C-22115 - 13	C-22115 - 13	C-22120 - 13	C-22125 - 13	C-22140 - 13
14	Ring plate		C-21115 - 14	C-21115 - 14	C-21115 - 14	C-21120 - 14	C-21125 - 14	C-21140 - 14
15	Tension bolt		C-22115 - 15	C-22115 - 15	C-22115 - 15	C-22120 - 15	C-22125 - 15	C-22140 - 15
16	Socket cap screw		C-21115 - 16	C-21115 - 16	C-21115 - 16	C-21120 - 16	C-21125 - 16	C-21140 - 16
17	Socket cap screw		C-21115 - 17	C-21115 - 17	C-21115 - 17	C-21120 - 17	C-21125 - 17	C-21140 - 17
18	Wing bolt		C-21115 - 18	C-21115 - 18	C-21115 - 18	C-21120 - 18	C-21125 - 18	C-21140 - 18
19	Socket cap screw		C-21115 - 19	C-21115 - 19	C-21115 - 19	C-21120 - 19	C-21125 - 19	C-21140 - 19
20	Flat head screw		C-21115 - 20	C-21115 - 20	C-21115 - 20	C-21120 - 20	C-21125 - 20	C-21140 - 20
21	Packing spring		C-21115 - 21	C-21115 - 21	C-21115 - 21	C-21120 - 21	C-21125 - 21	C-21140 - 21
22	Piston Spring		C-21115 - 22	C-21115 - 22	C-21115 - 22	C-21120 - 22	C-21125 - 22	C-21140 - 22
23	O-ring		C-21115 - 23	C-21115 - 23	C-21115 - 23	C-21120 - 23	C-21125 - 23	C-21140 - 23
24	Piston ring		C-21115 - 24	C-21115 - 24	C-21115 - 24	C-21120 - 24	C-21125 - 24	C-21140 - 24
25	Dust seal		C-21115 - 25	C-21115 - 25	C-21115 - 25	C-21120 - 25	C-21125 - 25	C-21140 - 25
27	Gland packing		C-21115 - 27	C-21115 - 27	C-21115 - 27	C-21120 - 27	C-21125 - 27	C-21140 - 27
28	Disc ring (2x)		C-21115 - 28	C-21115 - 28	C-21115 - 28	C-21120 - 28	C-21125 - 28	C-21140 - 28
30	Lower seat gasket		C-21115 - 30	C-21115 - 30	C-21115 - 30	C-21120 - 30	C-21125 - 30	C-21140 - 30
31	Lift pin gauge		C-21115 - 31	C-21115 - 31	C-21115 - 31	C-21120 - 31	C-21125 - 31	C-21140 - 31
32	Plug		C-22115 - 32	C-22115 - 32	C-22115 - 32	C-22120 - 32	C-22125 - 32	C-22140 - 32
33	O-ring		C-22115 - 33	C-22115 - 33	C-22115 - 33	C-22120 - 33	C-22125 - 33	C-22140 - 33
34	O-ring with back up ring		C-22115 - 34	C-22115 - 34	C-22115 - 34	C-22120 - 34	C-22125 - 34	C-22140 - 34
35	O-ring		C-22115 - 35	C-22115 - 35	C-22115 - 35	C-22120 - 35	C-22125 - 35	C-22140 - 35
36	Plug		C-21108 - 36 *X	C-21110 - 36 *X	C-21115 - 36 *X	C-21120 - 36 *X	C-21125 - 36 *X	C-21140 - 36 *X

* please complete: B = BSPT thread, N = NPT thread

Dimensions (mm)



TPC valve. with flange. 2/2-way. NC

Model No.	DN	R	d	OL (DIN)	OL (ANSI)	OL (JIS)	L1	L2	H	A1	A2	Stroke	Weight (kg)
TPC-2212-15D*B**XY	15	1/2	13	130	140	146	65.1	163.5	228.6	120	82	9.3	4.1
TPC-2212-20D*B**XY	20	3/4	19	150	150	146	84.8	193	277.8	139	100	12	6
TPC-2212-25D*B**XY	25	1	25	160	170	167	90.9	232	322.9	169	128	18	9.7
TPC-2212-32D*B**XY	32	1 1/4	32	180	190	190	112.6	250	362.6	185	142	20	13.7
TPC-2212-40D*B**XY	40	1 1/2	40	200	200	190	115.6	302	417.6	211	170	23	18.8

TPC valve. with flange. 3/2-way. NC

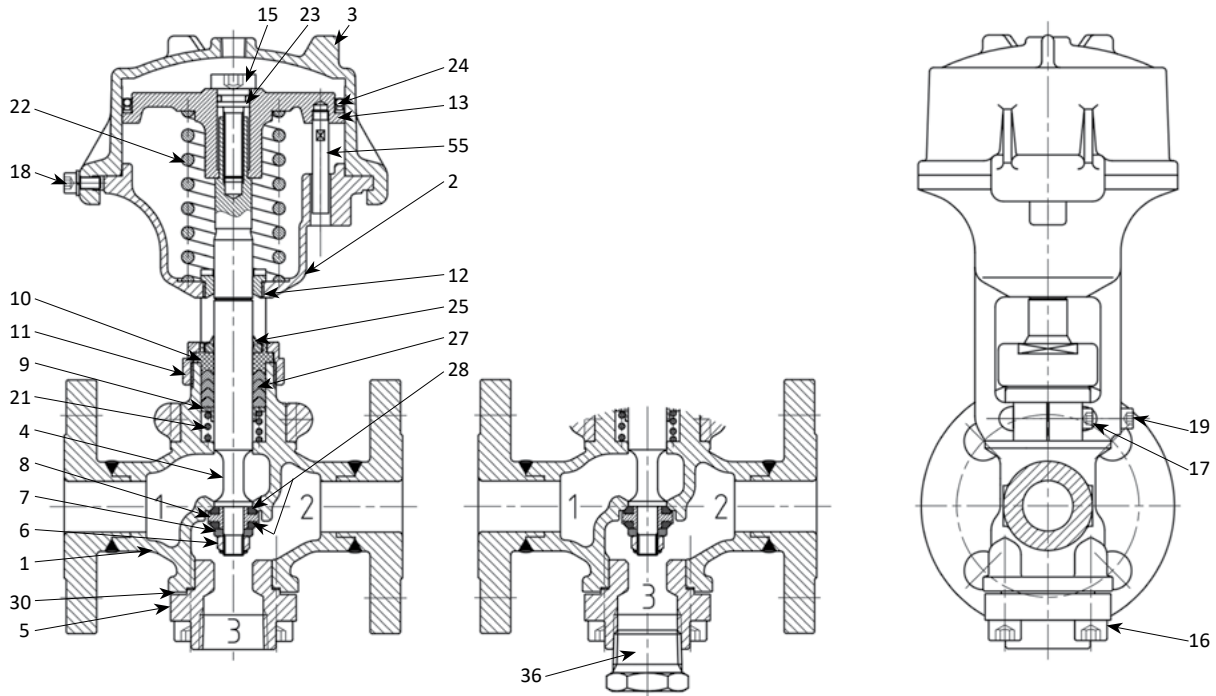
Model No.	DN	R	d	OL (DIN)	OL (ANSI)	OL (JIS)	L1	L2	H	A1	A2	Stroke	Weight (kg)
TPC-2312-15D*B**XY	15	1/2	13	130	140	146	48.3	163.5	211.8	120	82	9.3	4.1
TPC-2312-20D*B**XY	20	3/4	19	150	150	146	66.3	193	259.3	139	100	12	6
TPC-2312-25D*B**XY	25	1	25	160	170	167	71.3	232	303.3	169	128	18	9.7
TPC-2312-32D*B**XY	32	1 1/4	32	180	190	190	91.3	250	341.3	185	142	20	13.7
TPC-2312-40D*B**XY	40	1 1/2	40	200	200	190	91.3	302	393.3	211	170	23	18.8

* Also available as version A with ANSI flange or J with JIS flange. ** Also available as version N with NPT thread or P with PT thread (on request. no stock item).

Dimensions for DIN flange

DN	D	C	G	T	f	N	h	Bolt
15	95	65	45	16	2	4	14	M12
20	105	75	58	18	2	4	14	M12
25	115	85	68	18	2	4	14	M12
32	140	100	78	18	2	4	16	M16
40	150	110	88	18	3	4	18	M16

Spare parts

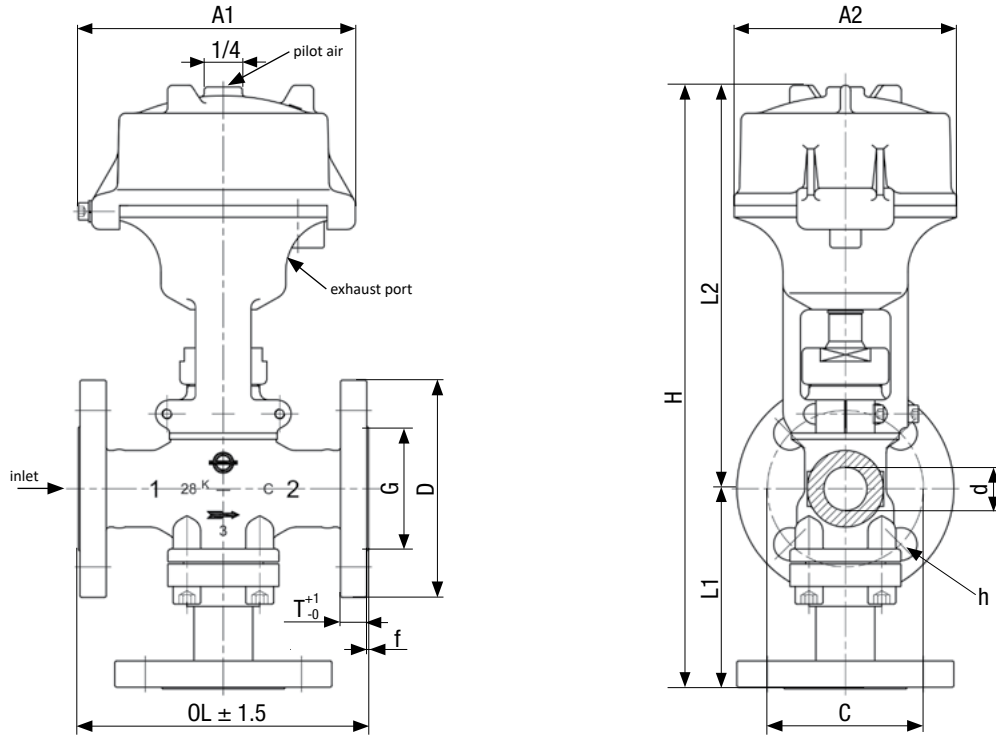


No.	Name	Valve	TPC-2212-15#*XY TPC-2312-15#*XY	TPC-2212-20#*XY TPC-2312-20#*XY	TPC-2212-25#*XY TPC-2312-25#*XY	TPC-2212-32#*XY TPC-2312-32#*XY	TPC-2212-40#*XY TPC-2312-40#*XY
1	Body		C-21215 - 01 #Y	C-21220 - 01 #Y	C-21225 - 01 #Y	C-21232 - 01 #Y	C-21240 - 01 #Y
2	Yoke		C-21115 - 02	C-21120 - 02	C-21125 - 02	C-21132 - 02	C-21140 - 02
3	Cylinder		C-21115 - 03 *	C-21120 - 03 *	C-21125 - 03 *	C-21132 - 03 *	C-21140 - 03 *
4	Stem		C-21115 - 04	C-21120 - 04	C-21125 - 04	C-21132 - 04	C-21140 - 04
5	Lower seat		C-21115 - 05 *X	C-21120 - 05 *X	C-21125 - 05 *X	C-21132 - 05 *X	C-21140 - 05 *X
6	U-nut		C-21115 - 06	C-21120 - 06	C-21125 - 06	C-21132 - 06	C-21140 - 06
7	Guide washer		C-21115 - 07	C-21120 - 07	C-21125 - 07	C-21132 - 07	C-21140 - 07
8	Disc adapter		C-21115 - 08	C-21120 - 08	C-21125 - 08	C-21132 - 08	C-21140 - 08
9	Ring washer		C-21115 - 09	C-21120 - 09	C-21125 - 09	C-21132 - 09	C-21140 - 09
10	Gland		C-21115 - 10	C-21120 - 10	C-21125 - 10	C-21132 - 10	C-21140 - 10
11	Gland nut		C-21115 - 11	C-21120 - 11	C-21125 - 11	C-21132 - 11	C-21140 - 11
12	Guide bushing		C-21115 - 12	C-21120 - 12	C-21125 - 12	C-21132 - 12	C-21140 - 12
13	Piston		C-21115 - 13	C-21120 - 13	C-21125 - 13	C-21132 - 13	C-21140 - 13
15	Tension bolt		C-21115 - 15	C-21120 - 15	C-21125 - 15	C-21132 - 15	C-21140 - 15
16	Socket cap screw		C-21115 - 16	C-21120 - 16	C-21125 - 16	C-21132 - 16	C-21140 - 16
17	Socket cap screw		C-21115 - 17	C-21120 - 17	C-21125 - 17	C-21132 - 17	C-21140 - 17
18	Wing bolt		C-21115 - 18	C-21120 - 18	C-21125 - 18	C-21132 - 18	C-21140 - 18
19	Socket cap screw		C-21115 - 19	C-21120 - 19	C-21125 - 19	C-21132 - 19	C-21140 - 19
21	Packing spring		C-21115 - 21	C-21120 - 21	C-21125 - 21	C-21132 - 21	C-21140 - 21
22	Piston Spring		C-21115 - 22	C-21120 - 22	C-21125 - 22	C-21132 - 22	C-21140 - 22
23	O-ring		C-21115 - 23	C-21120 - 23	C-21125 - 23	C-21132 - 23	C-21140 - 23
24	Piston ring		C-21115 - 24	C-21120 - 24	C-21125 - 24	C-21132 - 24	C-21140 - 24
25	Dust seal		C-21115 - 25	C-21120 - 25	C-21125 - 25	C-21132 - 25	C-21140 - 25
27	Gland packing		C-21115 - 27	C-21120 - 27	C-21125 - 27	C-21132 - 27	C-21140 - 27
28	Disc ring (2x)		C-21115 - 28	C-21120 - 28	C-21125 - 28	C-21132 - 28	C-21140 - 28
30	Lower seat gasket		C-21115 - 30	C-21120 - 30	C-21125 - 30	C-21132 - 30	C-21140 - 30
36	Plug		C-21115 - 36 *X	C-21120 - 36 *X	C-21125 - 36 *X	C-21132 - 36 *X	C-21140 - 36 *X
55	Pin gauge		C-21115 - 55	C-21120 - 55	C-21125 - 55	C-21132 - 55	C-21140 - 55

please complete: D = DIN flange. A = ANSI flange. J = JIS flange

* please complete: B = BSPT thread. N = NPT thread. P = PT thread

Dimensions (mm)



TPC valve. with flange. 3/2-way. NC

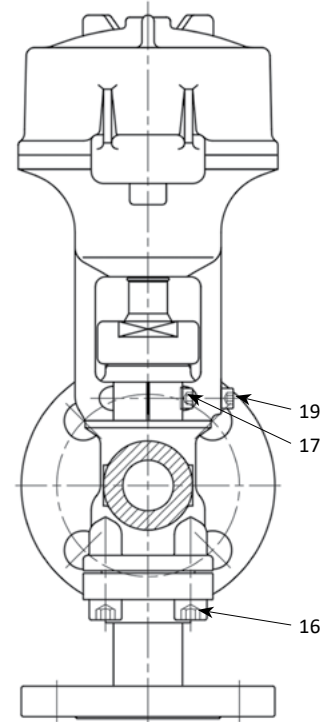
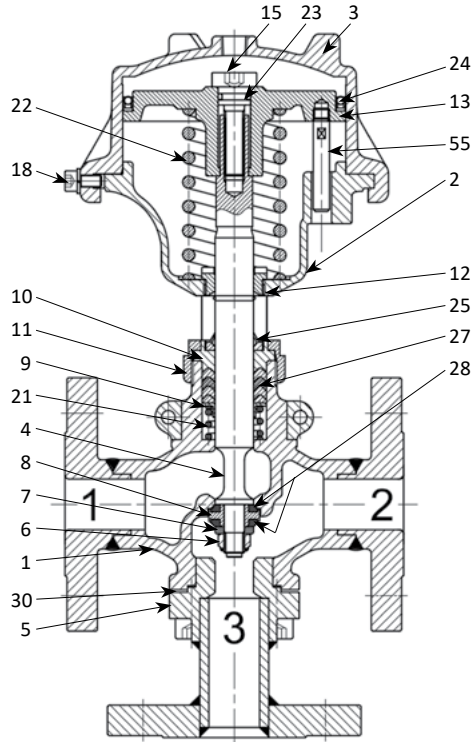
Model No.	DN	R	d	OL (DIN)	OL (ANSI)	OL (JIS)	L1	L2	H	A1	A2	Stroke	Weight (kg)
TPC-2313-15D*B**XY	15	1/2	13	130	140	146	140	163.5	303.5	120	82	9.3	4.5
TPC-2313-20D*B**XY	20	3/4	19	150	150	146	140	193	333	139	100	12	6.5
TPC-2313-25D*B**XY	25	1	25	160	170	167	140	232	372	169	128	18	9.2
TPC-2313-32D*B**XY	32	1 1/4	32	180	190	190	140	250	390	185	142	20	13.5
TPC-2313-40D*B**XY	40	1 1/2	40	200	200	190	175	302	477	211	170	23	21.5

* Also available as version A with ANSI flange or J with JIS flange. ** Also available as version N with NPT thread or P with PT thread (on request. no stock item).

Dimensions for DIN flange

DN	D	C	G	T	f	N	h	Bolt
15	95	65	45	16	2	4	14	M12
20	105	75	58	18	2	4	14	M12
25	115	85	68	18	2	4	14	M12
32	140	100	78	18	2	4	16	M16
40	150	110	88	18	3	4	18	M16

Spare parts

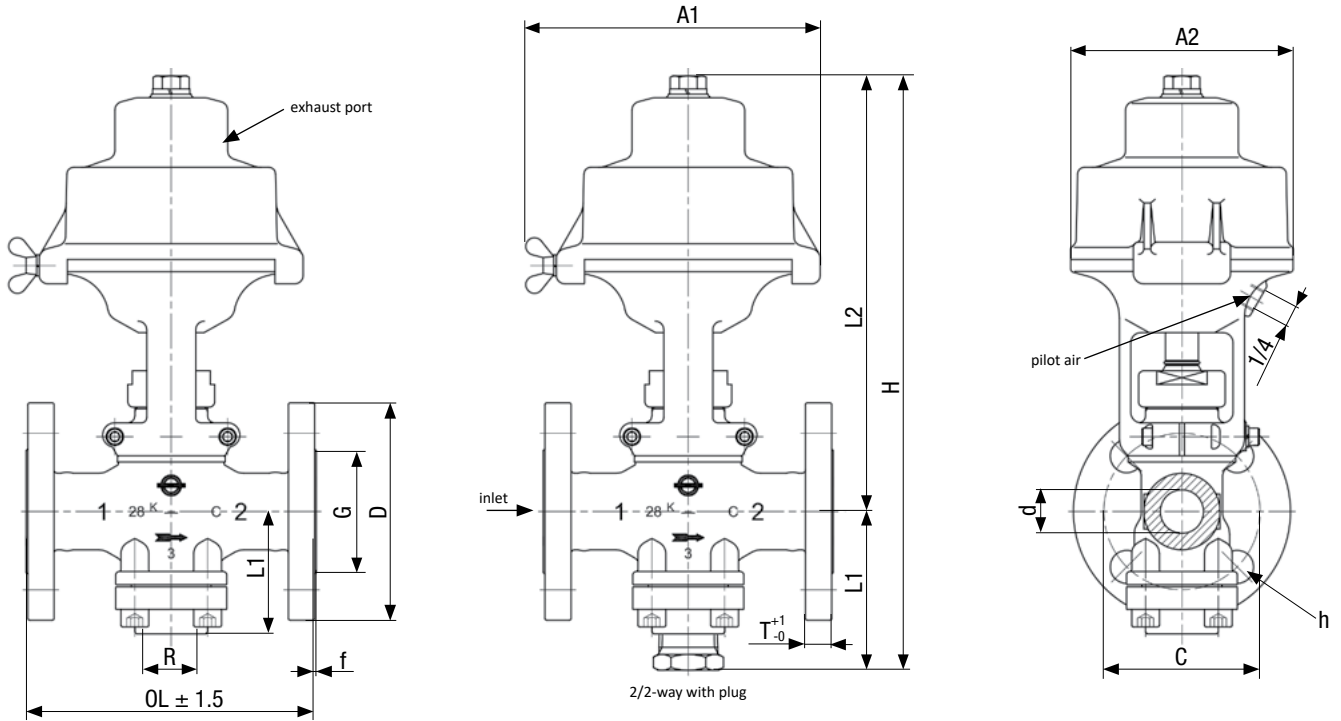


No.	Name	Valve	TPC-2313-15#XY	TPC-2313-20#XY	TPC-2313-25#XY	TPC-231332#XY	TPC-2313-40#XY
1	Body		C-21215 - 01 #Y	C-21220 - 01 #Y	C-21225 - 01 #Y	C-21232 - 01 #Y	C-21240 - 01 #Y
2	Yoke		C-21115 - 02	C-21120 - 02	C-21125 - 02	C-21132 - 02	C-21140 - 02
3	Cylinder		C-21115 - 03 *	C-21120 - 03 *	C-21125 - 03 *	C-21132 - 03 *	C-21140 - 03 *
4	Stem		C-21115 - 04	C-21120 - 04	C-21125 - 04	C-21132 - 04	C-21140 - 04
5	Lower seat		C-31315 - 05 #XY	C-31320 - 05 #XY	C-31325 - 05 #XY	C-31332 - 05 #XY	C-31340 - 05 #XY
6	U-nut		C-21115 - 06	C-21120 - 06	C-21125 - 06	C-21132 - 06	C-21140 - 06
7	Guide washer		C-21115 - 07	C-21120 - 07	C-21125 - 07	C-21132 - 07	C-21140 - 07
8	Disc adapter		C-21115 - 08	C-21120 - 08	C-21125 - 08	C-21132 - 08	C-21140 - 08
9	Ring washer		C-21115 - 09	C-21120 - 09	C-21125 - 09	C-21132 - 09	C-21140 - 09
10	Gland		C-21115 - 10	C-21120 - 10	C-21125 - 10	C-21132 - 10	C-21140 - 10
11	Gland nut		C-21115 - 11	C-21120 - 11	C-21125 - 11	C-21132 - 11	C-21140 - 11
12	Guide bushing		C-21115 - 12	C-21120 - 12	C-21125 - 12	C-21132 - 12	C-21140 - 12
13	Piston		C-21115 - 13	C-21120 - 13	C-21125 - 13	C-21132 - 13	C-21140 - 13
15	Tension bolt		C-21115 - 15	C-21120 - 15	C-21125 - 15	C-21132 - 15	C-21140 - 15
16	Socket cap screw		C-21115 - 16	C-21120 - 16	C-21125 - 16	C-21132 - 16	C-21140 - 16
17	Socket cap screw		C-21115 - 17	C-21120 - 17	C-21125 - 17	C-21132 - 17	C-21140 - 17
18	Wing bolt		C-21115 - 18	C-21120 - 18	C-21125 - 18	C-21132 - 18	C-21140 - 18
19	Socket cap screw		C-21115 - 19	C-21120 - 19	C-21125 - 19	C-21132 - 19	C-21140 - 19
21	Packing spring		C-21115 - 21	C-21120 - 21	C-21125 - 21	C-21132 - 21	C-21140 - 21
22	Piston Spring		C-21115 - 22	C-21120 - 22	C-21125 - 22	C-21132 - 22	C-21140 - 22
23	O-ring		C-21115 - 23	C-21120 - 23	C-21125 - 23	C-21132 - 23	C-21140 - 23
24	Piston ring		C-21115 - 24	C-21120 - 24	C-21125 - 24	C-21132 - 24	C-21140 - 24
25	Dust seal		C-21115 - 25	C-21120 - 25	C-21125 - 25	C-21132 - 25	C-21140 - 25
27	Gland packing		C-21115 - 27	C-21120 - 27	C-21125 - 27	C-21132 - 27	C-21140 - 27
28	Disc ring (2x)		C-21115 - 28	C-21120 - 28	C-21125 - 28	C-21132 - 28	C-21140 - 28
30	Lower seat gasket		C-21115 - 30	C-21120 - 30	C-21125 - 30	C-21132 - 30	C-21140 - 30
55	Pin gauge		C-21115 - 55	C-21120 - 55	C-21125 - 55	C-21132 - 55	C-21140 - 55

please complete: D = DIN flange. A = ANSI flange. J = JIS flange

* please complete: B = BSPT thread. N = NPT thread. P = PT thread

Dimensions (mm)



TPC valve. with flange. 2/2-way. NO

Model No.	DN	R	d	OL (DIN)	OL (ANSI)	OL (JIS)	L1	L2	H	A1	A2	Stroke	Weight (kg)
TPC-2222-15D*B**XY	15	1/2	13	130	140	146	65.1	186	251.1	120	82	9.3	4.1
TPC-2222-20D*B**XY	20	3/4	19	150	150	146	84.8	220	304.8	139	100	12	6
TPC-2222-25D*B**XY	25	1	25	160	170	167	90.9	249	339.9	169	128	18	9.7
TPC-2222-40D*B**XY	40	1 1/2	40	200	200	190	115.6	330	445.6	211	170	23	18.8

TPC valve. with flange. 3/2-way. NO

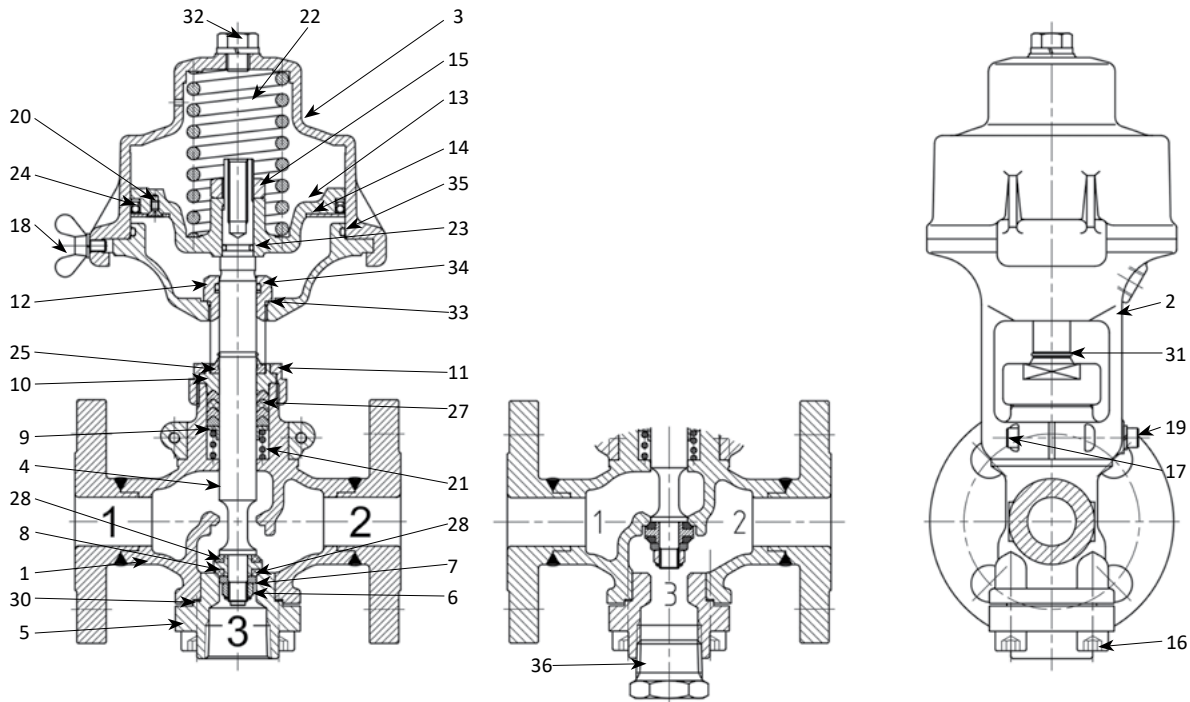
Model No.	DN	R	d	OL (DIN)	OL (ANSI)	OL (JIS)	L1	L2	H	A1	A2	Stroke	Weight (kg)
TPC-2322-15D*B**XY	15	1/2	13	130	140	146	48.3	186	234.3	120	82	9.3	4.1
TPC-2322-20D*B**XY	20	3/4	19	150	150	146	66.3	220	286.3	139	100	12	6
TPC-2322-25D*B**XY	25	1	25	160	170	167	71.3	249	320.3	169	128	18	9.7
TPC-2322-40D*B**XY	40	1 1/2	40	200	200	190	91.3	330	421.3	211	170	23	18.8

* Also available as version A with ANSI flange or J with JIS flange. ** Also available as version N with NPT thread or P with PT thread (on request. no stock item).

Dimensions for DIN flange

DN	D	C	G	T	f	N	h	Bolt
15	95	65	45	16	2	4	14	M12
20	105	75	58	18	2	4	14	M12
25	115	85	68	18	2	4	14	M12
40	150	110	88	18	3	4	18	M16

Spare parts

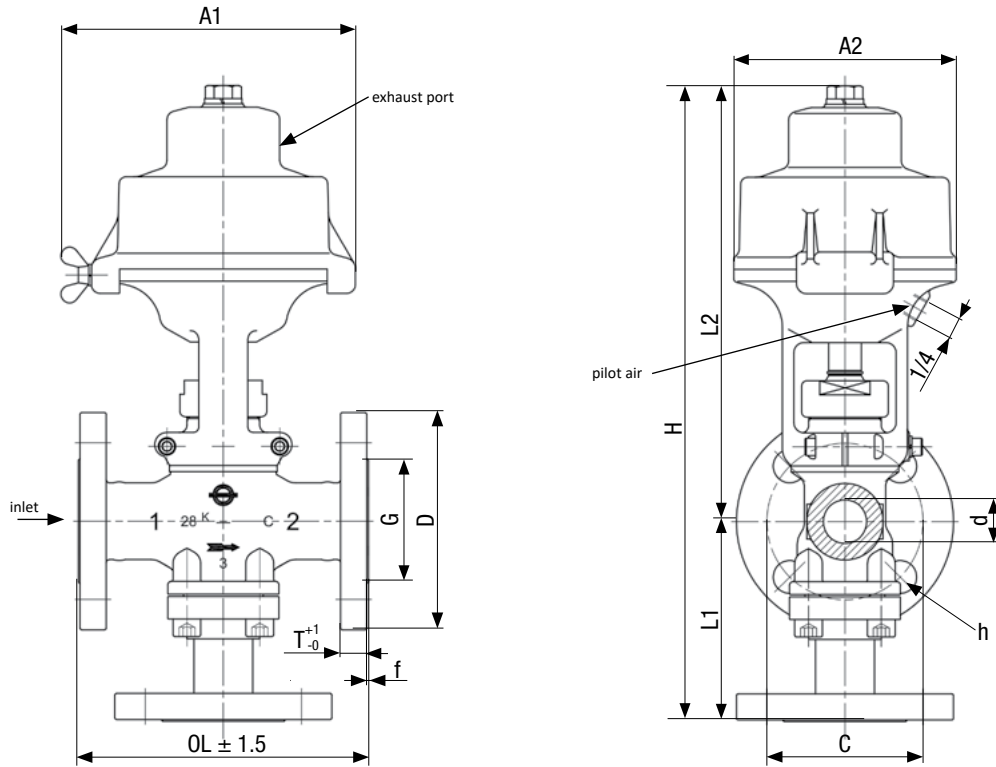


No.	Name	Valve	TPC-2222-15#*XY TPC-2322-15#*XY	TPC-2222-20#*XY TPC-2322-20#*XY	TPC-2222-25#*XY TPC-2322-25#*XY	TPC-2222-40#*XY TPC-2322-40#*XY
1	Body		C-21215 - 01 #Y	C-21220 - 01 #Y	C-21225 - 01 #Y	C-21240 - 01 #Y
2	Yoke		C-22115 - 02 *	C-22120 - 02 *	C-22125 - 02 *	C-22140 - 02 *
3	Cylinder		C-22115 - 03	C-22120 - 03	C-22125 - 03	C-22140 - 03
4	Stem		C-22115 - 04	C-22120 - 04	C-22125 - 04	C-22140 - 04
5	Lower seat		C-21115 - 05 *X	C-21120 - 05 *X	C-21125 - 05 *X	C-21140 - 05 *X
6	U-nut		C-21115 - 06	C-21120 - 06	C-21125 - 06	C-21140 - 06
7	Guide washer		C-21115 - 07	C-21120 - 07	C-21125 - 07	C-21140 - 07
8	Disc adapter		C-21115 - 08	C-21120 - 08	C-21125 - 08	C-21140 - 08
9	Ring washer		C-21115 - 09	C-21120 - 09	C-21125 - 09	C-21140 - 09
10	Gland		C-21115 - 10	C-21120 - 10	C-21125 - 10	C-21140 - 10
11	Gland nut		C-21115 - 11	C-21120 - 11	C-21125 - 11	C-21140 - 11
12	Guide bushing		C-21115 - 12	C-21120 - 12	C-21125 - 12	C-21140 - 12
13	Piston		C-21115 - 13	C-21120 - 13	C-21125 - 13	C-21140 - 13
14	Ring plate		C-21115 - 14	C-21120 - 14	C-21125 - 14	C-21140 - 14
15	Tension bolt		C-21115 - 15	C-21120 - 15	C-21125 - 15	C-21140 - 15
16	Socket cap screw		C-21115 - 16	C-21120 - 16	C-21125 - 16	C-21140 - 16
17	Socket cap screw		C-21115 - 17	C-21120 - 17	C-21125 - 17	C-21140 - 17
18	Wing bolt		C-21115 - 18	C-21120 - 18	C-21125 - 18	C-21140 - 18
19	Socket cap screw		C-21115 - 19	C-21120 - 19	C-21125 - 19	C-21140 - 19
20	Flat head screw		C-21115 - 20	C-21120 - 20	C-21125 - 20	C-21140 - 20
21	Packing spring		C-21115 - 21	C-21120 - 21	C-21125 - 21	C-21140 - 21
22	Piston Spring		C-21115 - 22	C-21120 - 22	C-21125 - 22	C-21140 - 22
23	O-ring		C-21115 - 23	C-21120 - 23	C-21125 - 23	C-21140 - 23
24	Piston ring		C-21115 - 24	C-21120 - 24	C-21125 - 24	C-21140 - 24
25	Dust seal		C-21115 - 25	C-21120 - 25	C-21125 - 25	C-21140 - 25
27	Gland packing		C-21115 - 27	C-21120 - 27	C-21125 - 27	C-21140 - 27
28	Disc ring (2x)		C-21115 - 28	C-21120 - 28	C-21125 - 28	C-21140 - 28
30	Lower seat gasket		C-21115 - 30	C-21120 - 30	C-21125 - 30	C-21140 - 30
31	Lift pin gauge		C-21115 - 31	C-21120 - 31	C-21125 - 31	C-21140 - 31
32	Plug		C-22115 - 32	C-22120 - 32	C-22125 - 32	C-22140 - 32
33	O-ring		C-22115 - 33	C-22120 - 33	C-22125 - 33	C-22140 - 33
34	O-ring with back up ring		C-22115 - 34	C-22120 - 34	C-22125 - 34	C-22140 - 34
35	O-ring		C-22115 - 35	C-22120 - 35	C-22125 - 35	C-22140 - 35
36	Plug		C-21115 - 36 *X	C-21120 - 36 *X	C-21125 - 36 *X	C-21140 - 36 *X

please complete: D = DIN flange. A = ANSI flange. J = JIS flange

* please complete: B = BSPT thread. N = NPT thread. P = PT thread

Dimensions (mm)



TPC valve. with flange. 3/2-way. NO

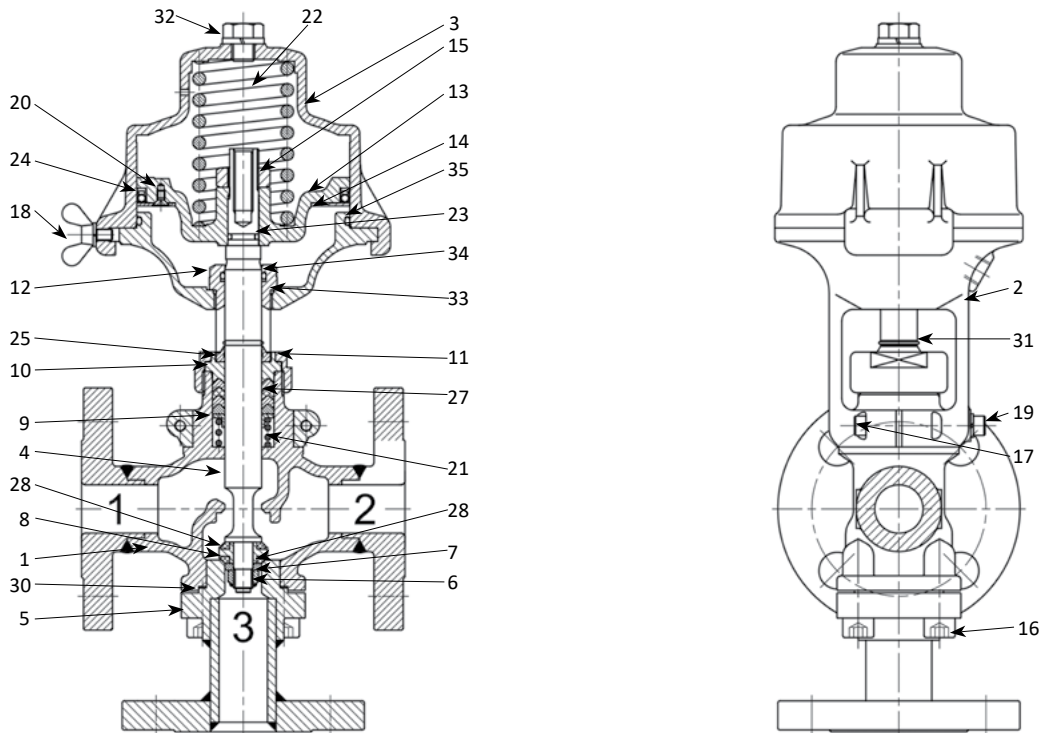
Model No.	DN	R	d	OL (DIN)	OL (ANSI)	OL (JIS)	L1	L2	H	A1	A2	Stroke	Weight (kg)
TPC-2323-15D*B**XY	15	1/2	13	130	140	146	140	186	326	120	82	9.3	5.0
TPC-2323-20D*B**XY	20	3/4	19	150	150	146	140	220	360	139	100	12	7.0
TPC-2323-25D*B**XY	25	1	25	160	170	167	140	249	389	169	128	18	9.7
TPC-2323-40D*B**XY	40	1 1/2	40	200	200	190	175	330	505	211	170	23	22.0

* Also available as version A with ANSI flange or J with JIS flange. ** Also available as version N with NPT thread or P with PT thread (on request. no stock item).

Dimensions for DIN flange

DN	D	C	G	T	f	N	h	Bolt
15	95	65	45	16	2	4	14	M12
20	105	75	58	18	2	4	14	M12
25	115	85	68	18	2	4	14	M12
40	150	110	88	18	3	4	18	M16

Spare parts



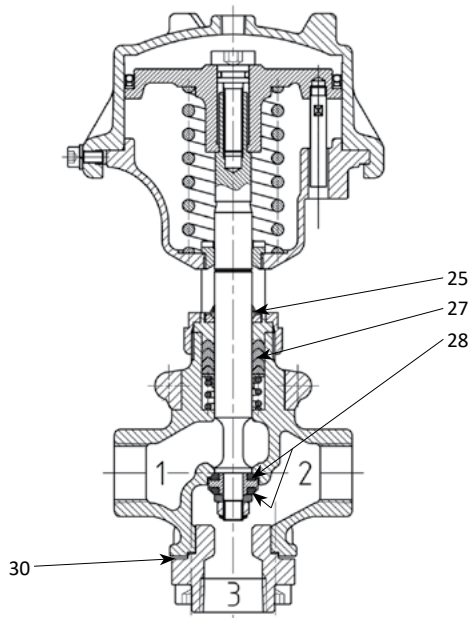
No.	Name	Valve	TPC-2323-15#*XY	TPC-2323-20#*XY	TPC-2323-25#*XY	TPC-2323-40#*XY
1	Body		C-21215 - 01 #Y	C-21220 - 01 #Y	C-21225 - 01 #Y	C-21240 - 01 #Y
2	Yoke		C-22115 - 02 *	C-22120 - 02 *	C-22125 - 02 *	C-22140 - 02 *
3	Cylinder		C-22115 - 03	C-22120 - 03	C-22125 - 03	C-22140 - 03
4	Stem		C-22115 - 04	C-22120 - 04	C-22125 - 04	C-22140 - 04
5	Lower seat		C-31315 - 05 #XY	C-31320 - 05 #XY	C-31325 - 05 #XY	C-31340 - 05 #XY
6	U-nut		C-21115 - 06	C-21120 - 06	C-21125 - 06	C-21140 - 06
7	Guide washer		C-21115 - 07	C-21120 - 07	C-21125 - 07	C-21140 - 07
8	Disc adapter		C-21115 - 08	C-21120 - 08	C-21125 - 08	C-21140 - 08
9	Ring washer		C-21115 - 09	C-21120 - 09	C-21125 - 09	C-21140 - 09
10	Gland		C-21115 - 10	C-21120 - 10	C-21125 - 10	C-21140 - 10
11	Gland nut		C-21115 - 11	C-21120 - 11	C-21125 - 11	C-21140 - 11
12	Guide bushing		C-21115 - 12	C-21120 - 12	C-21125 - 12	C-21140 - 12
13	Piston		C-21115 - 13	C-21120 - 13	C-21125 - 13	C-21140 - 13
14	Ring plate		C-21115 - 14	C-21120 - 14	C-21125 - 14	C-21140 - 14
15	Tension bolt		C-21115 - 15	C-21120 - 15	C-21125 - 15	C-21140 - 15
16	Socket cap screw		C-21115 - 16	C-21120 - 16	C-21125 - 16	C-21140 - 16
17	Socket cap screw		C-21115 - 17	C-21120 - 17	C-21125 - 17	C-21140 - 17
18	Wing bolt		C-21115 - 18	C-21120 - 18	C-21125 - 18	C-21140 - 18
19	Socket cap screw		C-21115 - 19	C-21120 - 19	C-21125 - 19	C-21140 - 19
20	Flat head screw		C-21115 - 20	C-21120 - 20	C-21125 - 20	C-21140 - 20
21	Packing spring		C-21115 - 21	C-21120 - 21	C-21125 - 21	C-21140 - 21
22	Piston Spring		C-21115 - 22	C-21120 - 22	C-21125 - 22	C-21140 - 22
23	O-ring		C-21115 - 23	C-21120 - 23	C-21125 - 23	C-21140 - 23
24	Piston ring		C-21115 - 24	C-21120 - 24	C-21125 - 24	C-21140 - 24
25	Dust seal		C-21115 - 25	C-21120 - 25	C-21125 - 25	C-21140 - 25
27	Gland packing		C-21115 - 27	C-21120 - 27	C-21125 - 27	C-21140 - 27
28	Disc ring (2x)		C-21115 - 28	C-21120 - 28	C-21125 - 28	C-21140 - 28
30	Lower seat gasket		C-21115 - 30	C-21120 - 30	C-21125 - 30	C-21140 - 30
31	Lift pin gauge		C-21115 - 31	C-21120 - 31	C-21125 - 31	C-21140 - 31
32	Plug		C-22115 - 32	C-22120 - 32	C-22125 - 32	C-22140 - 32
33	O-ring		C-22115 - 33	C-22120 - 33	C-22125 - 33	C-22140 - 33
34	O-ring with back up ring		C-22115 - 34	C-22120 - 34	C-22125 - 34	C-22140 - 34
35	O-ring		C-22115 - 35	C-22120 - 35	C-22125 - 35	C-22140 - 35

please complete: D = DIN flange, A = ANSI flange, J = JIS flange
 * please complete: B = BSPT thread, N = NPT thread, P = PT thread

Repair kit

DN	Model no.:
08. 10. 15	RK-21115
20	RK-21120
25	RK-21125
32	RK-21132
40	RK-21140

Content



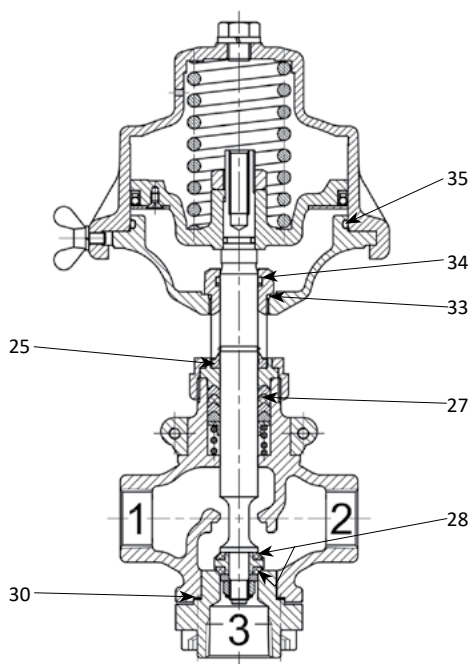
No.	Name	
25	Dust seal	
27	Gland packing	
28	Disc ring (2x)	
30	Lower seat gasket	

Repair kit

DN	Model no.:
08. 10. 15	RK-22115
20	RK-22120
25	RK-22125
40	RK-22140

1

Content

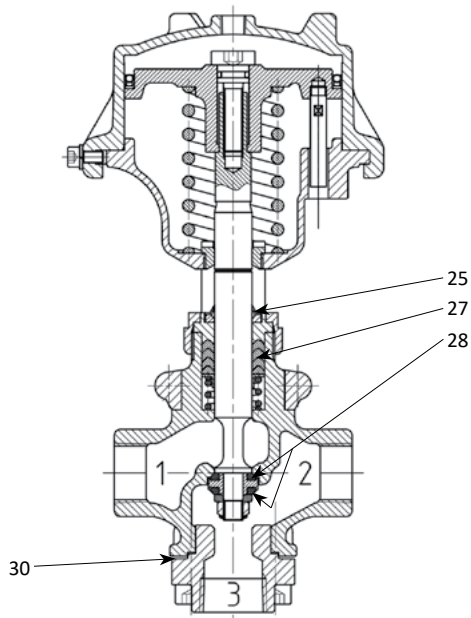


No.	Name	
25	Dust seal	
27	Gland packing	
28	Disc ring (2x)	
30	Lower seat gasket	
33	O-ring	
34	OO-ring with back up ring	
35	O-ring	

Repair kit

DN	Model no.:
08. 10. 15	RK-21115-H
20	RK-21120-H
25	RK-21125-H
32	RK-21132-H
40	RK-21140-H

Content

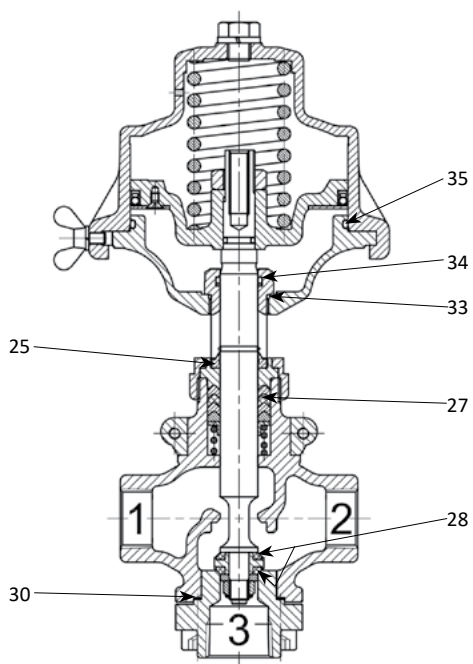


No.	Name	
25	Dust seal	
27-H	Gland packing	
28	Disc ring (2x)	
30	Lower seat gasket	

Repair kit

DN	Model no.:
08. 10. 15	RK-22115-H
20	RK-22120-H
25	RK-22125-H
40	RK-22140-H

Content

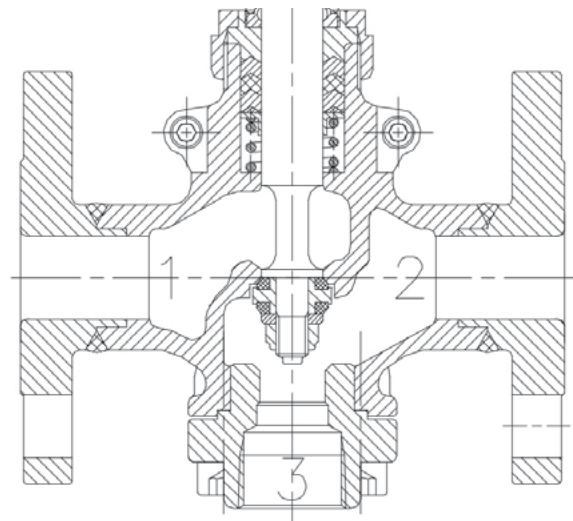


No.	Name	
25	Dust seal	
27-H	Gland packing	
28	Disc ring (2x)	
30	Lower seat gasket	
33	O-ring	
34	OO-ring with back up ring	
35	O-ring	

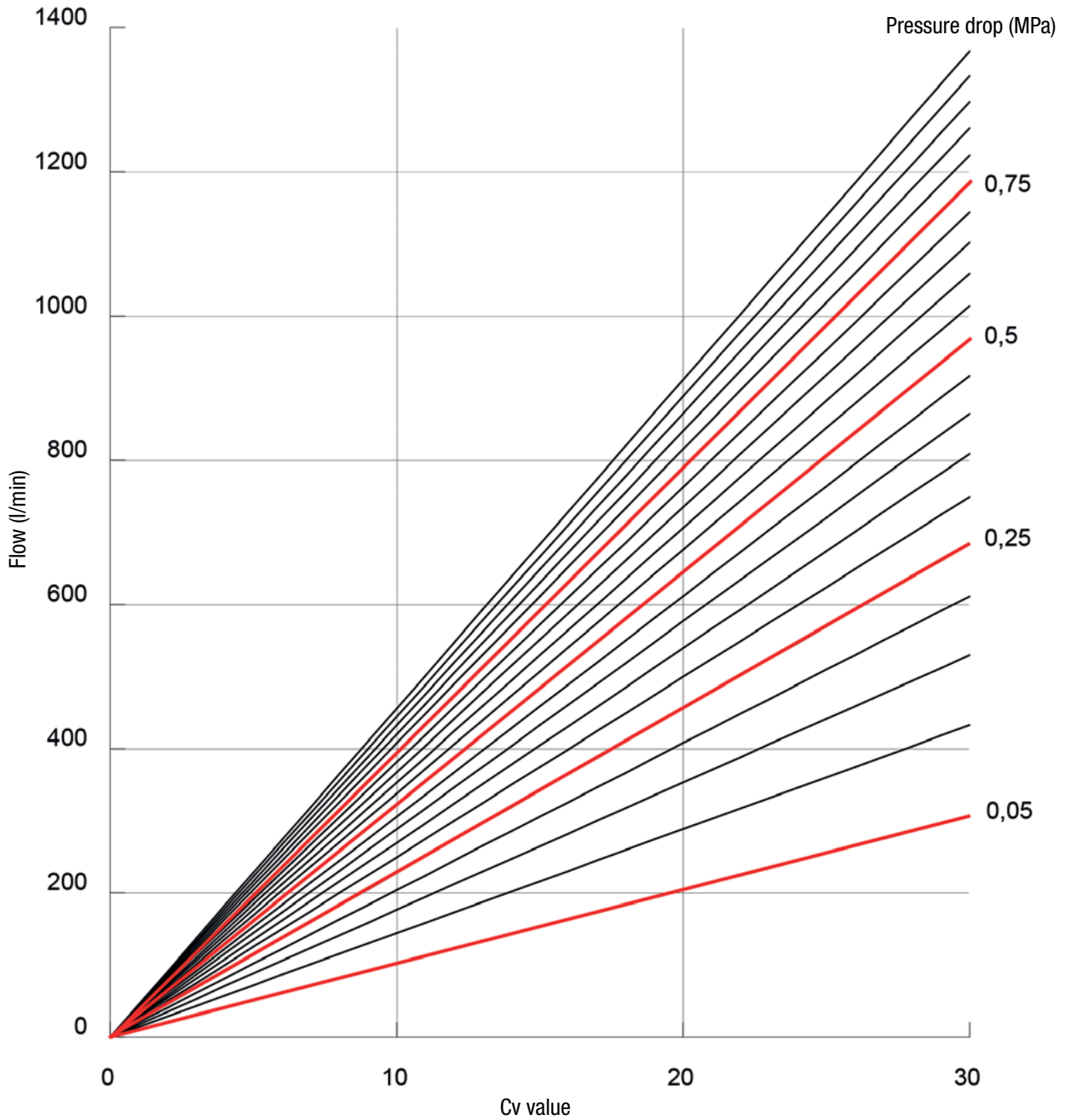
1

DN	Flow direction	Kv Value	Cv Value	Pressure drop (MPa)	Flow (l/min)
15	1⇒2	2.6	2.9	0.1	42
				0.2	59
				0.3	72
	2⇒1	2.6	2.9	0.1	42
				0.2	59
				0.3	72
	2⇒3	2.5	2.8	0.1	40
				0.2	57
				0.3	70
	3⇒2	2.15	2.4	0.1	35
				0.2	49
				0.3	60
20	1⇒2	4.8	5.4	0.1	78
				0.2	110
				0.3	135
	2⇒1	5.0	5.6	0.1	81
				0.2	114
				0.3	140
	2⇒3	5.4	6	0.1	86
				0.2	122
				0.3	150
	3⇒2	4.5	5	0.1	72
				0.2	102
				0.3	125
25	1⇒2	7.7	8.6	0.1	124
				0.2	175
				0.3	215
	2⇒1	8.0	8.9	0.1	128
				0.2	181
				0.3	222
	2⇒3	10.5	11.7	0.1	169
				0.2	238
				0.3	292
	3⇒2	9.6	10.7	0.1	154
				0.2	218
				0.3	267

DN	Flow direction	Kv Value	Cv Value	Pressure drop (MPa)	Flow (l/min)
32	1⇒2	11.8	13.2	0.1	190
				0.2	269
				0.3	330
	2⇒1	13.1	14.6	0.1	210
				0.2	298
				0.3	364
	2⇒3	14.1	15.8	0.1	228
				0.2	322
				0.3	394
	3⇒2	16.4	18.3	0.1	264
				0.2	373
				0.3	457
40	1⇒2	19.8	22.1	0.1	319
				0.2	450
				0.3	552
	2⇒1	19.1	21.4	0.1	308
				0.2	436
				0.3	534
	2⇒3	24.7	27.6	0.1	398
				0.2	563
				0.3	689
	3⇒2	25.2	28.2	0.1	406
				0.2	575
				0.3	704



Flow chart of Cv value / pressure drop



1

These valves are used for control of cold water line. The compact design allows installation in narrow space. The same valve can be used either single or double acting applications. To change the valve from single to double acting only the spring (item 13) and plug (item 20) have to be removed. The spare parts are available as repair kit please refers to chapter spare parts.

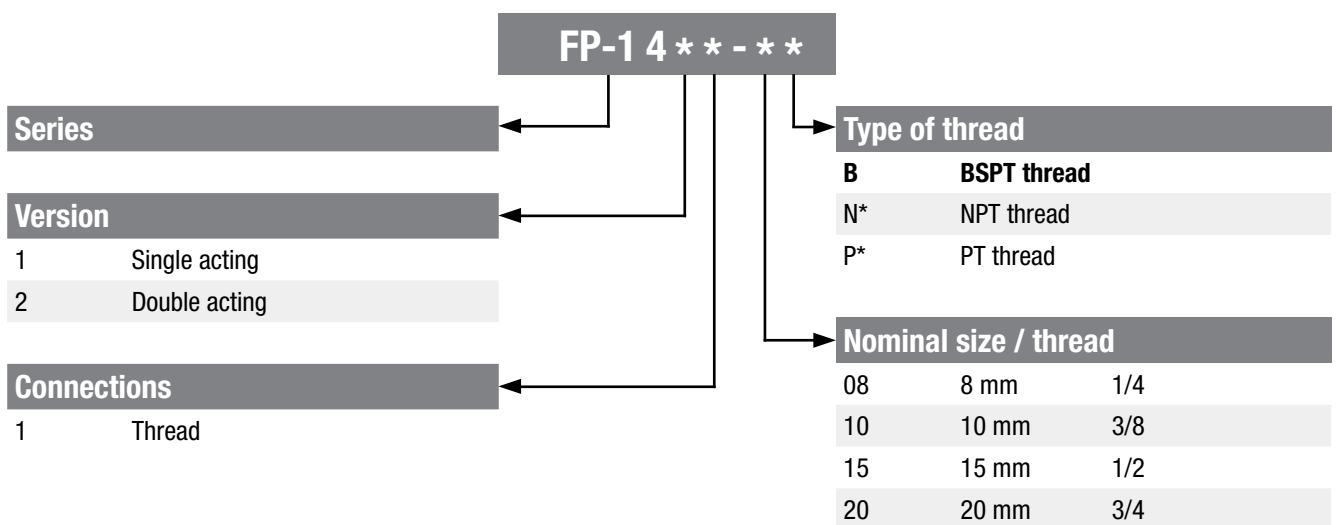
Operating pressure	max. 30 bar (430 psi)
Pilot pressure	2.5 – 3.5 bar (36-51 psi)
Temperature	max. + 65° C (+ 149°F)
Body material	Bronze
Material of Cylinder	Cast Iron. inside cromium plated
Medium	Cold water. air. neutral gas

Overview

Order code		Thread	Weight (kg)
Single acting	Double acting		
FP-1411-08B	FP-1421-08B	1/4 BSPT	2.4
FP-1411-08N	FP-1421-08N	1/4 NPT	2.4
FP-1411-10B	FP-1421-10B	3/8 BSPT	2.4
FP-1411-10N	FP-1421-10N	3/8 NPT	2.4
FP-1411-15B	FP-1421-15B	1/2 BSPT	4.9
FP-1411-15N	FP-1421-15N	1/2 NPT	4.9
FP-1411-20B	FP-1421-20B	3/4 BSPT	4.9
FP-1411-20N	FP-1421-20N	3/4 NPT	4.9

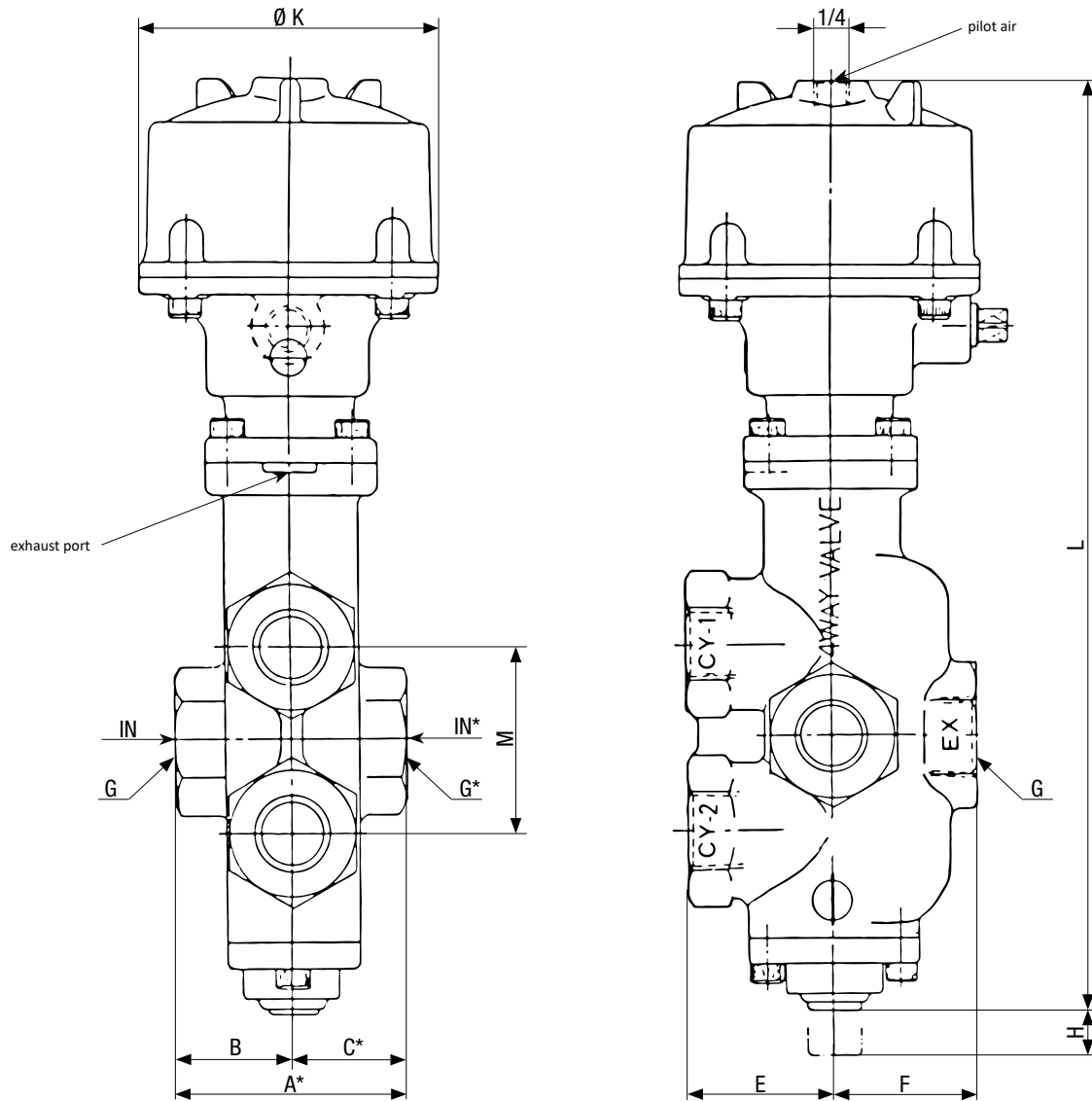


Order Code



* Available on request. No stock item.

Dimensions (mm)



* only at FP-14#1-15B and FP-14#1-20B

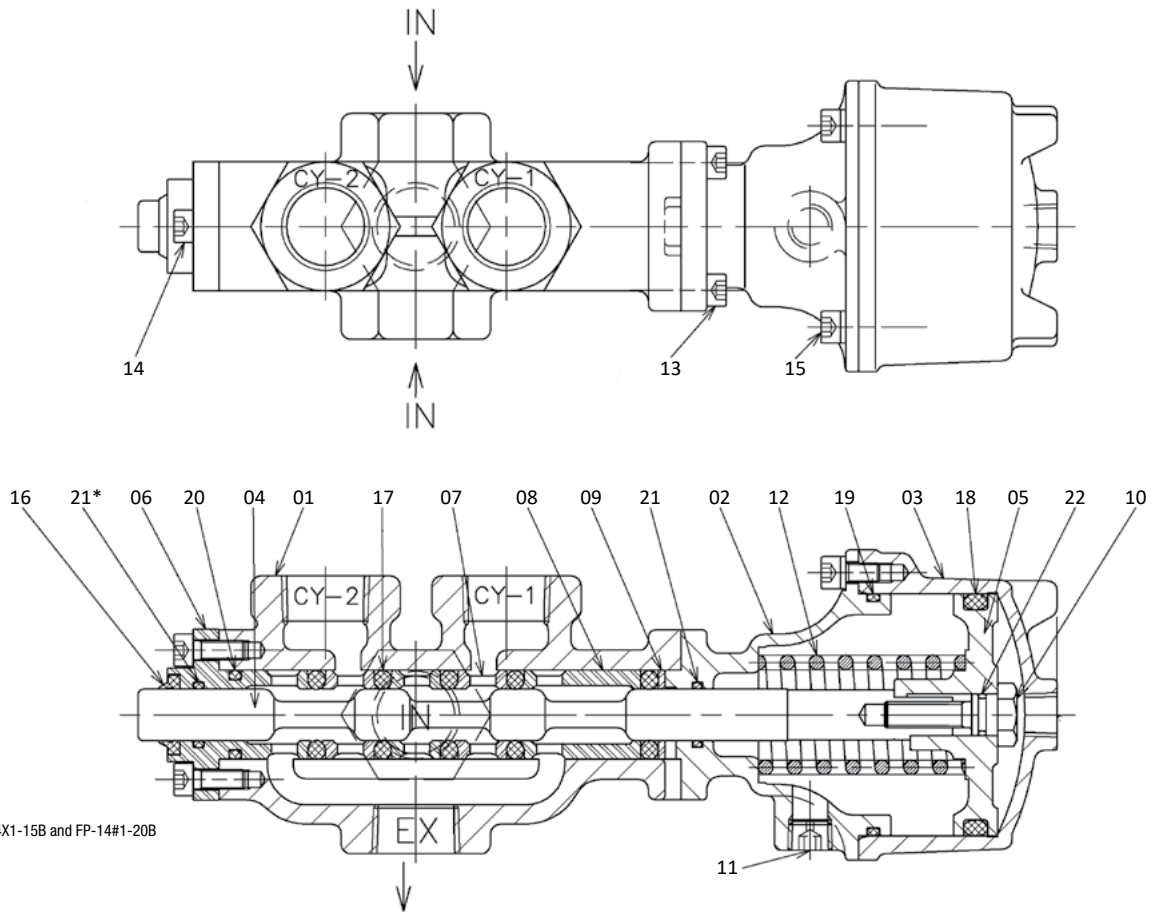
FP valve. tapped. 4/2-way

Model No.	DN	G*	A	B	C	E	F	L	$\varnothing K$	M	H (stroke)
FP-14#1-08B	8	1/4	-	30	-	30	33	202	82	41	16.5
FP-14#1-10B	10	3/8	-	30	-	30	33	202	82	41	16.5
FP-14#1-15B	15	1/2	70	35	35	43	43	282	90	56	20
FP-14#1-20B	20	3/4	70	35	35	43	43	282	90	56	20

Function of valve see page 21.

*Thread type BSPT (Rc) according to ISO 7-1 DIN EN 10226/1. Valves with NPT or PT thread are available on request (The dimensions are identical to the standard BSPT version.) The order number please see the ordering number code on page 21 .

Spare parts



* Only at FP-14X1-15B and FP-14#1-20B

No.	Name	Valve	FP-1411-08*	FP-1421-08*	FP-1411-10*	FP-1421-10*	FP-1411-15*	FP-1421-15*	FP-1411-20*	FP-1421-20*
1	Body		F-41108-01*	F-41108-01*	F-41110-01*	F-41110-01*	F-41115-01*	F-41115-01*	F-41120-01*	F-41120-01*
2	Yoke		F-41108-02*	F-41108-02*	F-41108-02*	F-41108-02*	F-41115-02*	F-41115-02*	F-41115-02*	F-41115-02*
3	Cylinder		F-41108-03	F-41108-03	F-41108-03	F-41108-03	F-41115-03	F-41115-03	F-41115-03	F-41115-03
4	Stem		F-41108-04	F-41108-04	F-41108-04	F-41108-04	F-41115-04	F-41115-04	F-41115-04	F-41115-04
5	Piston		F-41108-05	F-41108-05	F-41108-05	F-41108-05	F-41115-05	F-41115-05	F-41115-05	F-41115-05
6	Valve cover		F-41108-06	F-41108-06	F-41108-06	F-41108-06	F-41115-06	F-41115-06	F-41115-06	F-41115-06
7	Bushing ring		F-41108-07 (5)	F-41108-07 (5)	F-41108-07 (5)	F-41108-07 (5)	F-41115-07 (3)	F-41115-07 (3x)	F-41115-07 (3)	F-41115-07 (3)
8	Long bushing ring		-	-	-	-	F-41115-08	F-41115-08	F-41115-08	F-41115-08
9	Guide washer		F-41108-08	F-41108-08	F-41108-08	F-41108-08	F-41115-09	F-41115-09	F-41115-09	F-41115-09
10	Tension bolt		F-41108-09	F-41108-09	F-41108-09	F-41108-09	F-41115-10	F-41115-10	F-41115-10	F-41115-10
11	Plug		F-41108-20X	-	F-41108-20X	-	F-41108-20X	-	F-41108-20X	-
12	Piston Spring		F-41108-13	-	F-41108-13	-	F-41115-12	-	F-41115-12	-
13	Socket cap screw (4)		F-41108-10	F-41108-10	F-41108-10	F-41108-10	F-41108-10	F-41108-10	F-41108-10	F-41108-10
14	Socket cap screw (2)		F-41108-10	F-41108-10	F-41108-10	F-41108-10	F-41108-10	F-41108-10	F-41108-10	F-41108-10
15	Socket cap screw (4)		F-41108-10	F-41108-10	F-41108-10	F-41108-10	F-41108-10	F-41108-10	F-41108-10	F-41108-10
16 ¹⁾	Dust seal		F-41108-14	F-41108-14	F-41108-14	F-41108-14	F-41115-16	F-41115-16	F-41115-16	F-41115-16
17 ¹⁾	O-ring		F-41108-15 (6)	F-41108-15 (6)	F-41108-15 (6)	F-41108-15 (6)	F-41115-17 (5)	F-41115-17 (5)	F-41115-17 (5)	F-41115-17 (5)
18 ¹⁾	O-ring		F-41108-19	F-41108-19	F-41108-19	F-41108-19	F-41115-18	F-41115-18	F-41115-18	F-41115-18
19 ¹⁾	O-ring		F-41108-18	F-41108-18	F-41108-18	F-41108-18	F-41115-19	F-41115-19	F-41115-19	F-41115-19
20 ¹⁾	O-ring		-	-	-	-	F-41115-20	F-41115-20	F-41115-20	F-41115-20
21 ¹⁾	O-ring		F-41108-16	F-41108-16	F-41108-16	F-41108-16	F-41115-21 (2x)	F-41115-21 (2x)	F-41115-21 (2x)	F-41115-21 (2x)
22 ¹⁾	O-ring		F-41108-17	F-41108-17	F-41108-17	F-41108-17	F-41115-22	F-41115-22	F-41115-22	F-41115-22

* please complete: B = BSPT thread. N = NPT thread

¹⁾Included in repair kit RK-41108 (DN 08 and DN 10) or RK-41115 (DN 15 and DN 20).

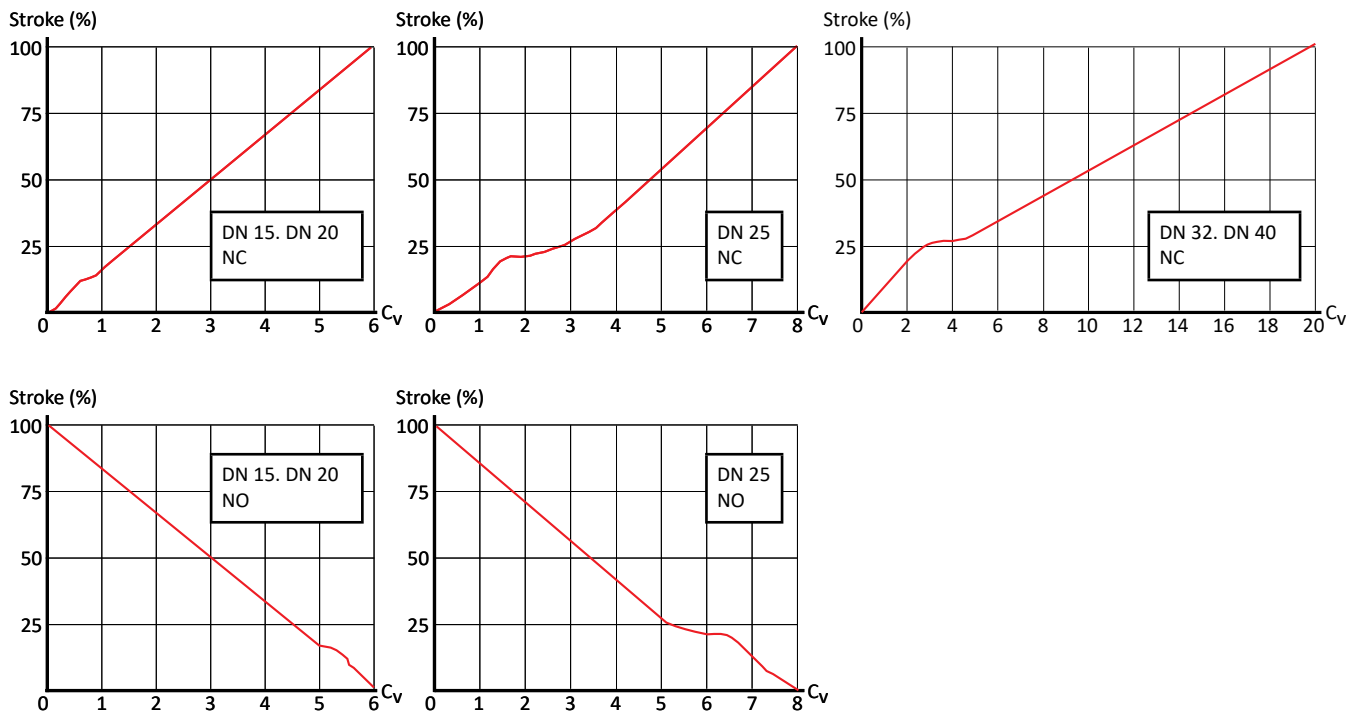
These valves are designed for control the flow of steam, nitrogen and air. They guarantee highly accurate process control. The spring loaded gland packings are self-adjusting. The spare parts are available as repair kit. Please see chapter spare parts.

Operating pressure	max. 17 bar (246 psi)
Pilot pressure	0.2 – 1.0 bar (2.9-14.5 psi)
Nominal pressure	PN 40
Temperature range	max + 210°C (+ 410°F)
Medium	Steam, Nitrogen, Air
Body material	Stainless steel casting
Stem and seat material	Stainless steel
Packing material	Graphite-reinforced Teflon®
Seal type	Metallic seal



3

Regulating characteristic



Order Code

DC-12 ** - * * * * *

Series

Version

2 2/2-way

Function

- 1 Normally closed (NC)
- 2 Normally open (NO)

Connections

- 1 Thread
- 2 Flange

Nominal size / thread

15	15 mm	1/2
20	20 mm	3/4
25	25 mm	1
32	32 mm	1 1/4
40	40 mm	1 1/2

Cv-value (only at nominal size 15 and 20)

- Cv = 6**
- 3 Cv = 3
- 1 Cv = 1

Special options

- Y Flange stainless steel

Pilot port thread (flange version only)

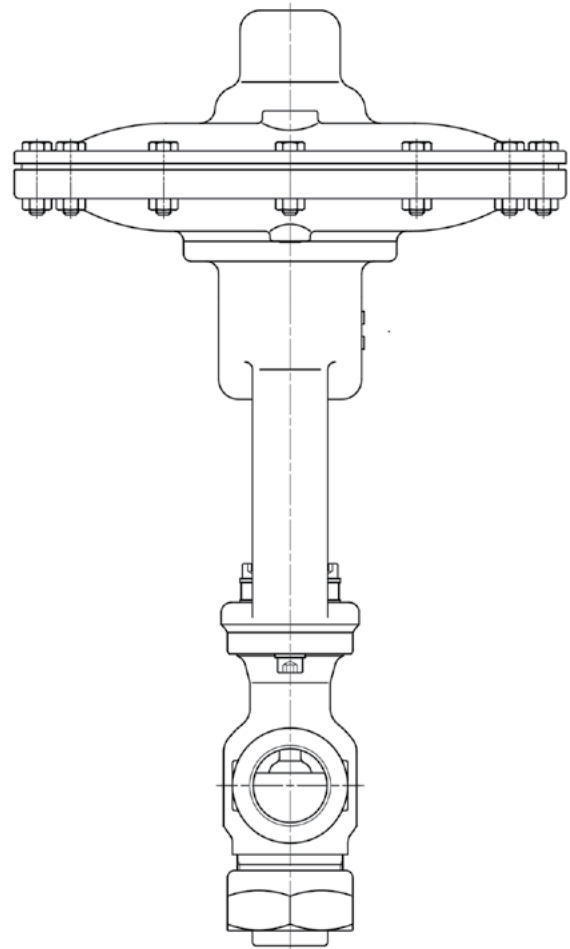
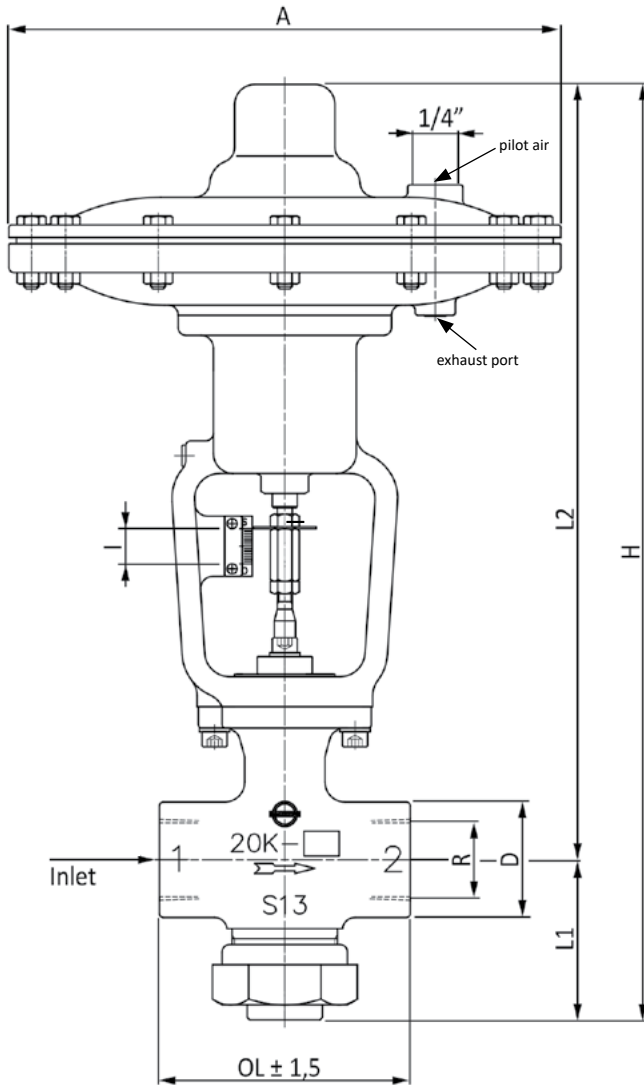
- B BSPT thread**
- N NPT thread
- P PT thread

Type of thread / flange

- B BSPT thread**
- N NPT thread
- P PT thread
- D DIN flange**
- A ANSI flange
- J JIS flange

Not all combinations are possible and available.

Dimensions (mm)



3

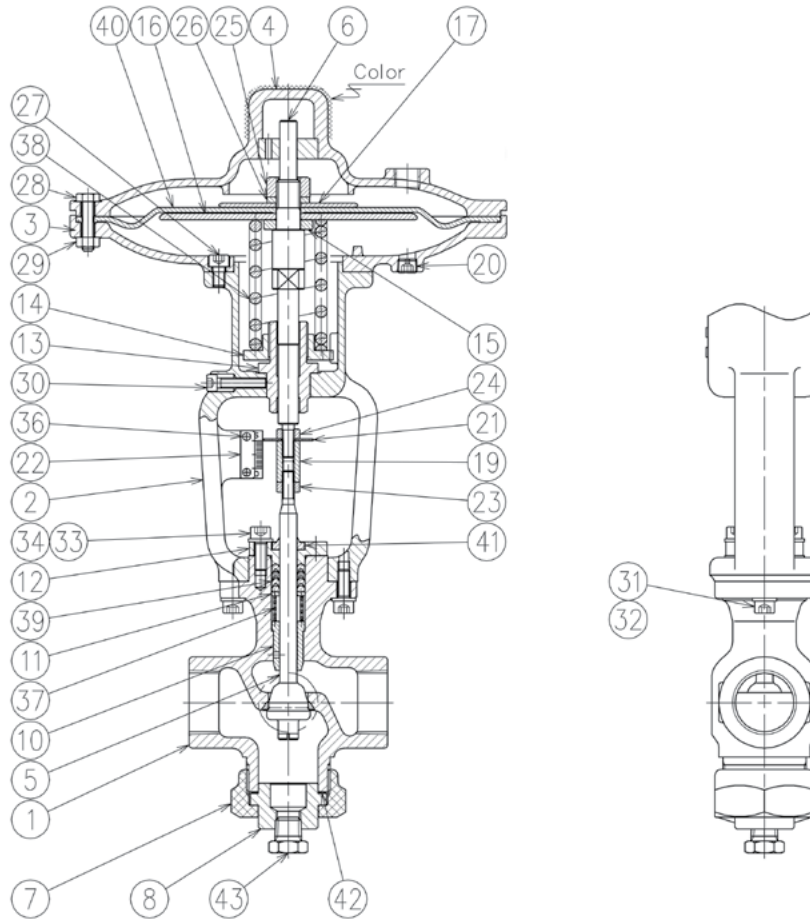
DC valve, tapped. 2/2-way. NC

Model No.	DN	Internal thread R*	A	D	H	L1	L2	OL	I = Stroke	Weight (kg)
DC-1211-15B	15	1/2	220	38	376.5	71.5	305	95	14	7.5
DC-1211-20B	20	3/4	220	38	376.5	71.5	305	95	14	7.4
DC-1211-25B	25	1	220	46	385.5	76.5	309	100	14	11.3
DC-1211-32B	32	1 1/4	282	65	525	94	431	130	18	17.3
DC-1211-40B	40	1 1/2	282	65	525	94	431	130	18	17.2

*Thread type BSPT (Rc) according to ISO 7-1 DIN EN 10226/1. Valves with NPT or PT thread are available on request (The dimensions are identical to the standard BSPT version).

For the order number please see the ordering number code on page 28 .

Spare parts

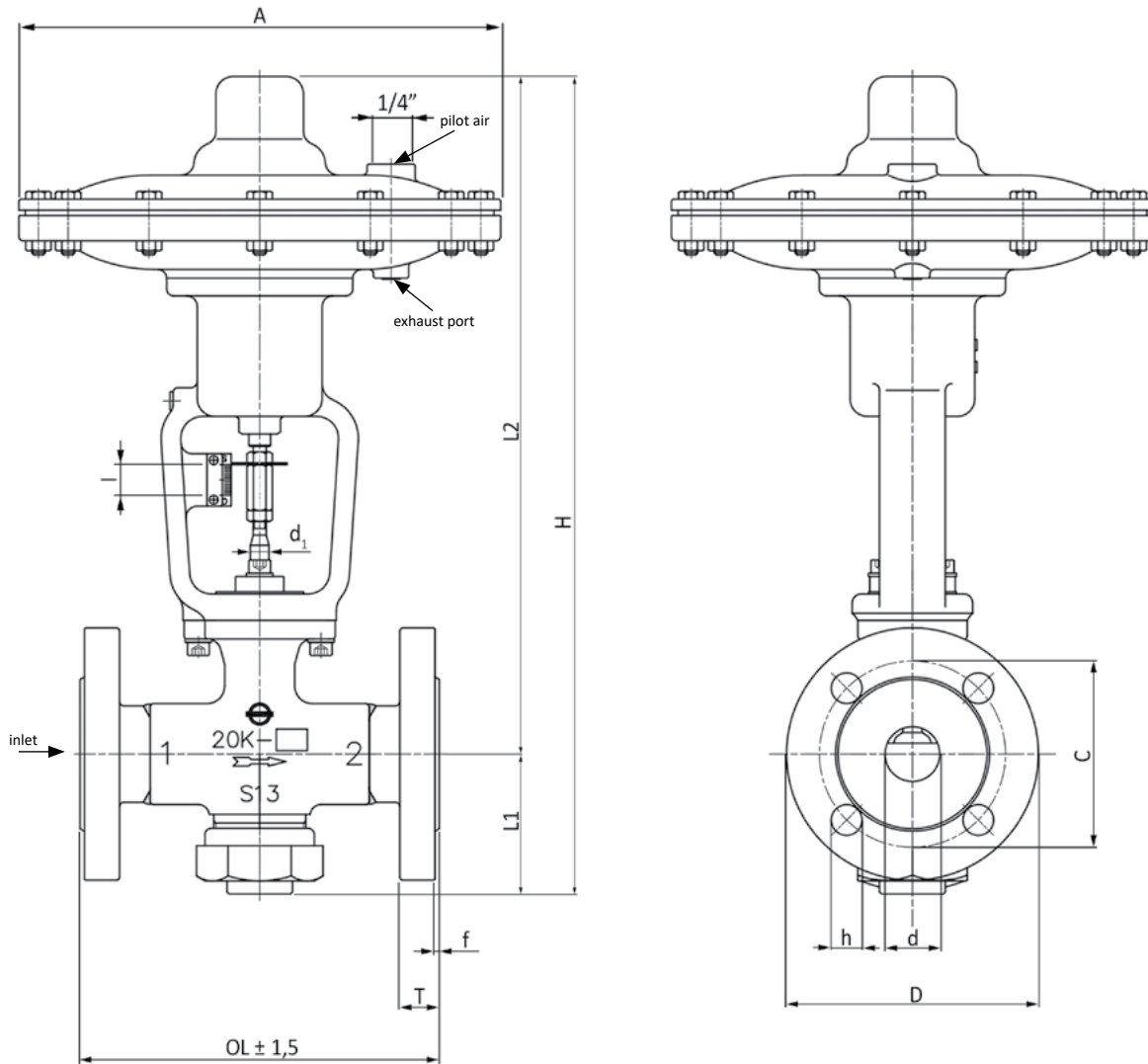


No.	Name	Valve	DC-1211-15* DC-1211-20*	DC-1211-25*	DC-1211-32* DC-1211-40*
1	Body		D-21115-01*	D-21125-01*	D-21132-01*
			D-21120-01*		D-21140-01*
2	Yoke		D-21115-02	D-21125-02	D-21132-02
3	Lower cover		D-21115-03	D-21125-03	D-21132-03
4	Upper cover		D-21115-04*	D-21125-04*	D-21132-04*
5	Stem		D-21115-05	D-21125-05	D-21132-05
6	Diaphragm rod		D-21115-06	D-21125-06	D-21132-06
7	Bottom nut		D-21115-07	D-21125-07	D-21132-07
8	Cover		D-21115-08	D-21125-08	D-21132-08
10	Rod guide		D-21115-10	D-21125-10	D-21132-10
11	Packing washer		D-21115-11	D-21125-11	D-21132-11
12	Gland		D-21115-12	D-21125-12	D-21132-12
13	Adjust rod guide		D-21115-13	D-21125-13	D-21132-13
14	Spring seat		D-21115-14	D-21125-14	D-21132-14
15	Washer		D-21115-15	D-21125-15	D-21132-15
16	Diaphragm lower seat		D-21115-16	D-21125-16	D-21132-16
17	Diaphragm upper seat		D-21115-17	D-21125-17	D-21132-17
19	Join nut		D-21115-19	D-21125-19	D-21132-19
20	Orifice plug		D-21115-20	D-21125-20	D-21132-20
21	Lift gauge ring		D-21115-21	D-21125-21	D-21132-21
22	Lift gauge plate		D-21115-22	D-21125-22	D-21132-22

No.	Name	Valve	DC-1211-15* DC-1211-20*	DC-1211-25*	DC-1211-32* DC-1211-40*
23	Set nut (left)		D-21115-23	D-21125-23	D-21132-23
24	Set nut (right)		D-21115-24	D-21125-24	D-21132-24
25	Nut		D-21115-25	D-21125-25	D-21132-25
26	Spring lock washer		D-21115-26	D-21125-26	D-21132-26
27	Socket cap screw (6)		D-21115-27	D-21125-27	D-21132-27
28	Spring lock washer (12)		D-21115-28	D-21125-28	D-21132-28
29	Nut (12)		D-21115-29	D-21125-29	D-21132-29
30	Socket cap screw		D-21115-30	D-21125-30	D-21132-30
31	Socket cap screw (2)		D-21115-31	D-21125-31	D-21132-31
32	Spring lock washer (2)		D-21115-32	D-21125-32	D-21132-32
33	Socket cap screw (2)		D-21115-33	D-21125-33	D-21132-33
34	Spring lock washer (2)		D-21115-34	D-21125-34	D-21132-34
36	Driving screw (2)		D-21115-36	D-21115-36	D-21115-36
37	Packing spring		D-21115-37	D-21125-37	D-21132-37
38	Spring		D-21115-38	D-21125-38	D-21132-38
39	Gland packing		D-21115-39	D-21125-39	D-21132-39
40	Diaphragm		D-21115-40	D-21125-40	D-21132-40
41	Dust seal		D-21115-41	D-21125-41	D-21132-41
42	Gasket		D-21115-42	D-21125-42	D-21132-42
43	Plug		D-21115-43	D-21125-43	D-21132-43

* please complete: B = BSPT thread. N = NPT thread

Dimensions (mm)



3

DC valve. with flange. 2/2-way. NC

Model No.	DN	A	D	H	L1	L2	OL (DIN)	OL (ANSI)	OL (JIS)	l = Stroke	Weight (kg)
DC-1212-15DB	15	220	38	376.5	71.5	305	154	140	146	14	7.5
DC-1212-20DB	20	220	38	376.5	71.5	305	154	150	146	14	7.4
DC-1212-25DB	25	220	46	385.5	76.5	309	164	170	167	14	11.3
DC-1212-32DB	32	282	65	525	94	431	180	190	190	18	17.3
DC-1212-40DB	40	282	65	525	94	431	190	200	190	18	17.2

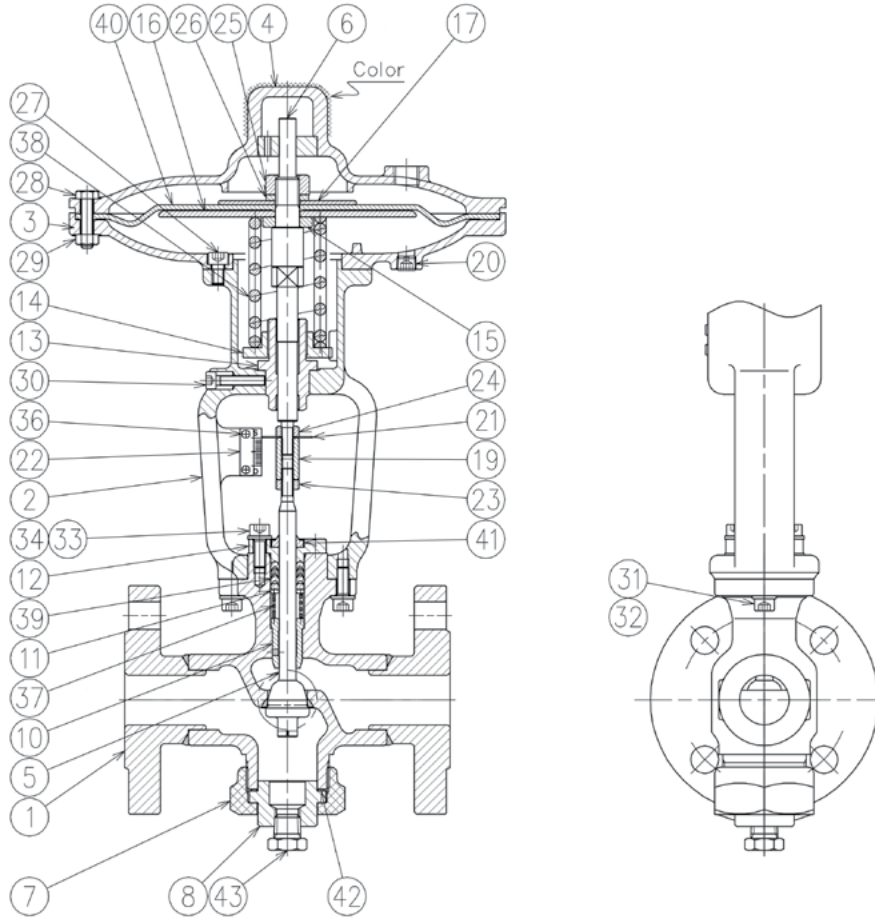
Dimensions for DIN flange

DN	D	C	G	T	f	N	h	Bolt
15	95	65	45	16	2	4	14	M12
20	105	75	58	18	2	4	14	M12
25	115	85	68	18	2	4	14	M12
32	140	100	78	18	2	4	16	M16

* Auch als Version A mit ANSI-Flansch oder J mit JIS-Flansch auf Anfrage verfügbar.

* Also available as version A with ANSI flange or J with JIS flange.

Spare parts

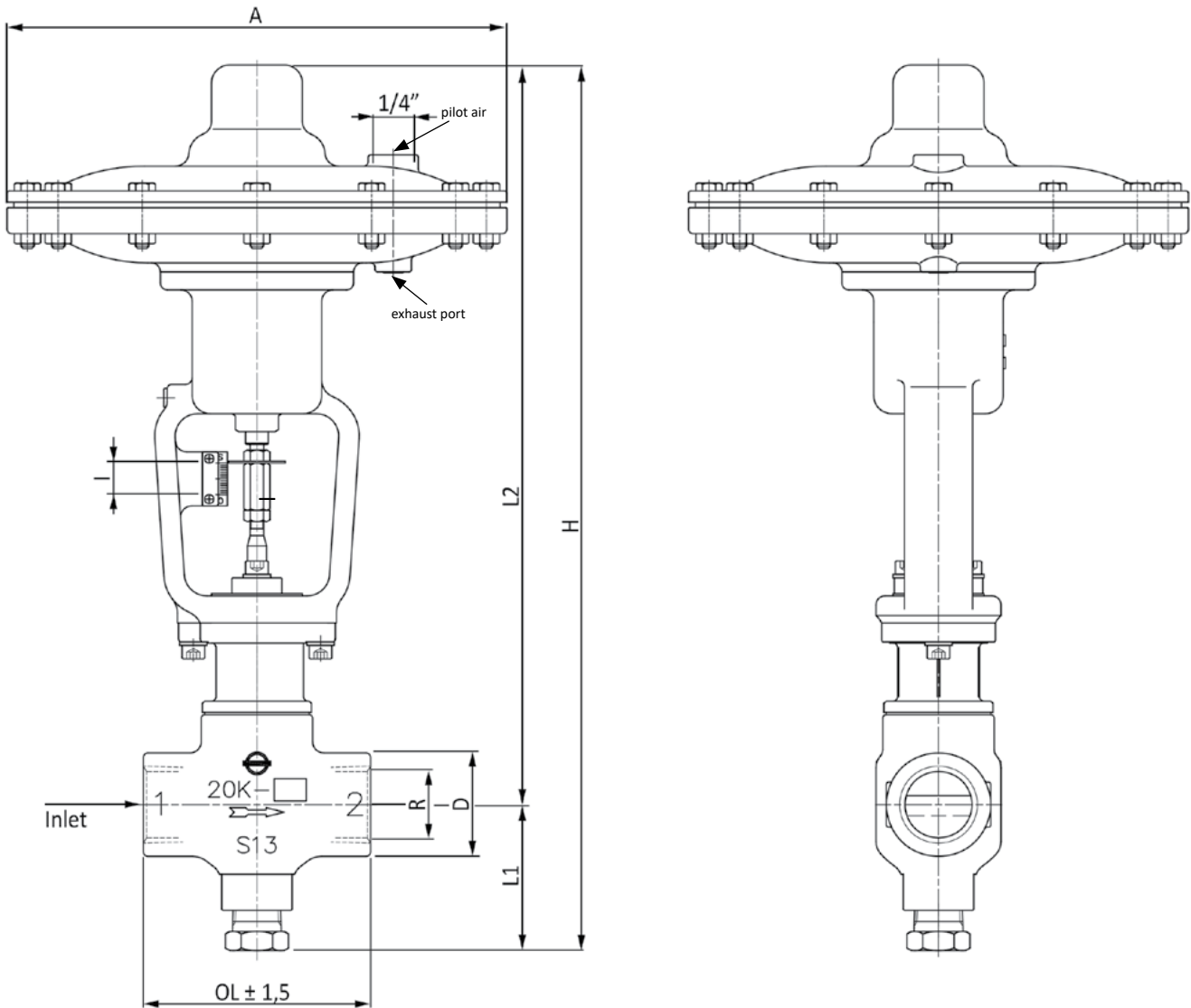


No.	Name	Valve	DC-1212-15D* DC-1212-20D*	DC-1212-25D*	DC-1212-32D* DC-1212-40D*
1	Body		D-21215-01D*	D-21225-01D*	D-21232-01D*
			D-21220-01D*		D-21240-01D*
2	Yoke		D-21115-02	D-21125-02	D-21132-02
3	Lower cover		D-21115-03	D-21125-03	D-21132-03
4	Upper cover		D-21115-04*	D-21125-04*	D-21132-04*
5	Stem		D-21115-05	D-21125-05	D-21132-05
6	Diaphragm rod		D-21115-06	D-21125-06	D-21132-06
7	Bottom nut		D-21115-07	D-21125-07	D-21132-07
8	Bottom plug		D-21115-08	D-21125-08	D-21132-08
10	Rod guide		D-21115-10	D-21125-10	D-21132-10
11	Packing washer		D-21115-11	D-21125-11	D-21132-11
12	Gland		D-21115-12	D-21125-12	D-21132-12
13	Adjust rod guide		D-21115-13	D-21125-13	D-21132-13
14	Spring seat		D-21115-14	D-21125-14	D-21132-14
15	Washer		D-21115-15	D-21125-15	D-21132-15
16	Diaphragm lower seat		D-21115-16	D-21125-16	D-21132-16
17	Diaphragm upper seat		D-21115-17	D-21125-17	D-21132-17
19	Join nut		D-21115-19	D-21125-19	D-21132-19
20	Orifice plug		D-21115-20	D-21125-20	D-21132-20
21	Lift gauge ring		D-21115-21	D-21125-21	D-21132-21
22	Lift gauge plate		D-21115-22	D-21125-22	D-21132-22

No.	Name	Valve	DC-1212-15D* DC-1212-20D*	DC-1212-25D*	DC-1212-32D* DC-1212-40D*
23	Set nut (left)		D-21115-23	D-21125-23	D-21132-23
24	Set nut (right)		D-21115-24	D-21125-24	D-21132-24
25	Nut		D-21115-25	D-21125-25	D-21132-25
26	Spring lock washer		D-21115-26	D-21125-26	D-21132-26
27	Socket cap screw (6)		D-21115-27	D-21125-27	D-21132-27
28	Spring lock washer (12)		D-21115-28	D-21125-28	D-21132-28
29	Nut (12)		D-21115-29	D-21125-29	D-21132-29
30	Socket cap screw		D-21115-30	D-21125-30	D-21132-30
31	Socket cap screw (2)		D-21115-31	D-21125-31	D-21132-31
32	Spring lock washer (2)		D-21115-32	D-21125-32	D-21132-32
33	Socket cap screw (2)		D-21115-33	D-21125-33	D-21132-33
34	Spring lock washer (2)		D-21115-34	D-21125-34	D-21132-34
36	Driving screw (2)		D-21115-36	D-21115-36	D-21115-36
37	Packing spring		D-21115-37	D-21125-37	D-21132-37
38	Spring		D-21115-38	D-21125-38	D-21132-38
39	Gland packing		D-21115-39	D-21125-39	D-21132-39
40	Diaphragm		D-21115-40	D-21125-40	D-21132-40
41	Dust seal		D-21115-41	D-21125-41	D-21132-41
42	Gasket		D-21115-42	D-21125-42	D-21132-42
43	Plug		D-21115-43	D-21125-43	D-21132-43

* please complete: B = BSPT thread. N = NPT thread

Dimensions (mm)



3

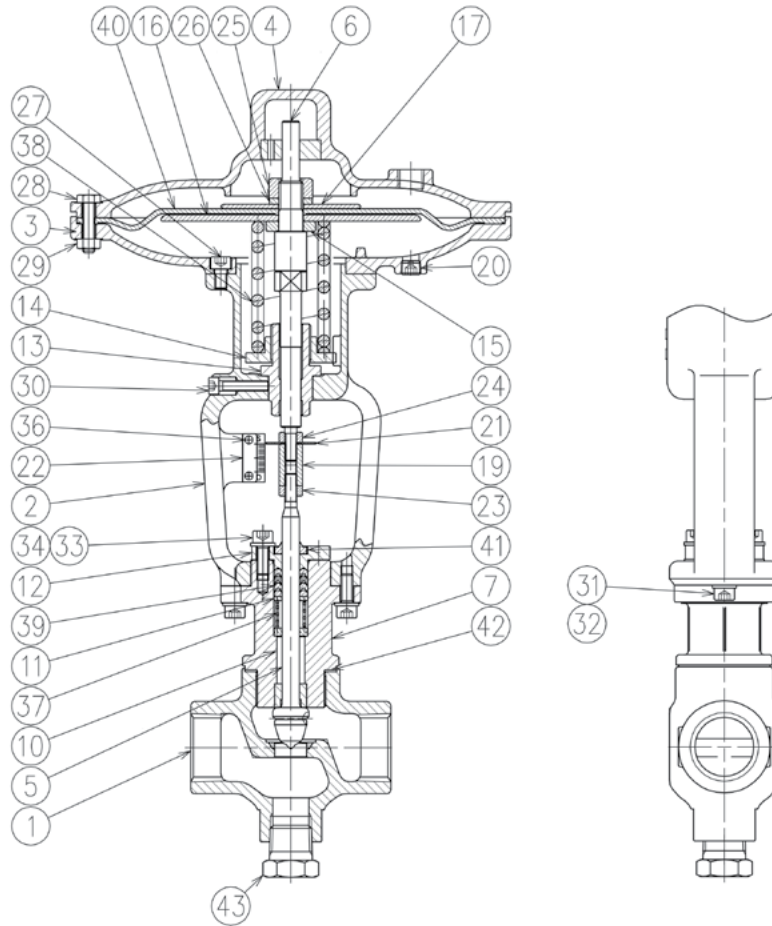
DC valve. tapped. 2/2-way. NO

Model No.	DN	Internal thread R*	A	D	H	L1	L2	OL	I = Stroke	Weight (kg)
DC-1221-15*	15	1/2	220	38	370.8	48	322.8	95	14	7.0
DC-1221-20*	20	3/4	220	38	376.5	48	322.8	95	14	6.9
DC-1221-25*	25	1	220	46	375.8	53	322.8	100	14	10.7

*Thread type BSPT (Rc) according to ISO 7-1 DIN EN 10226/1. Valves with NPT or PT thread are available on request. (The dimensions are identical to the standard BSPT version).

For the order number please see the ordering number code on page 28 .

Spare parts

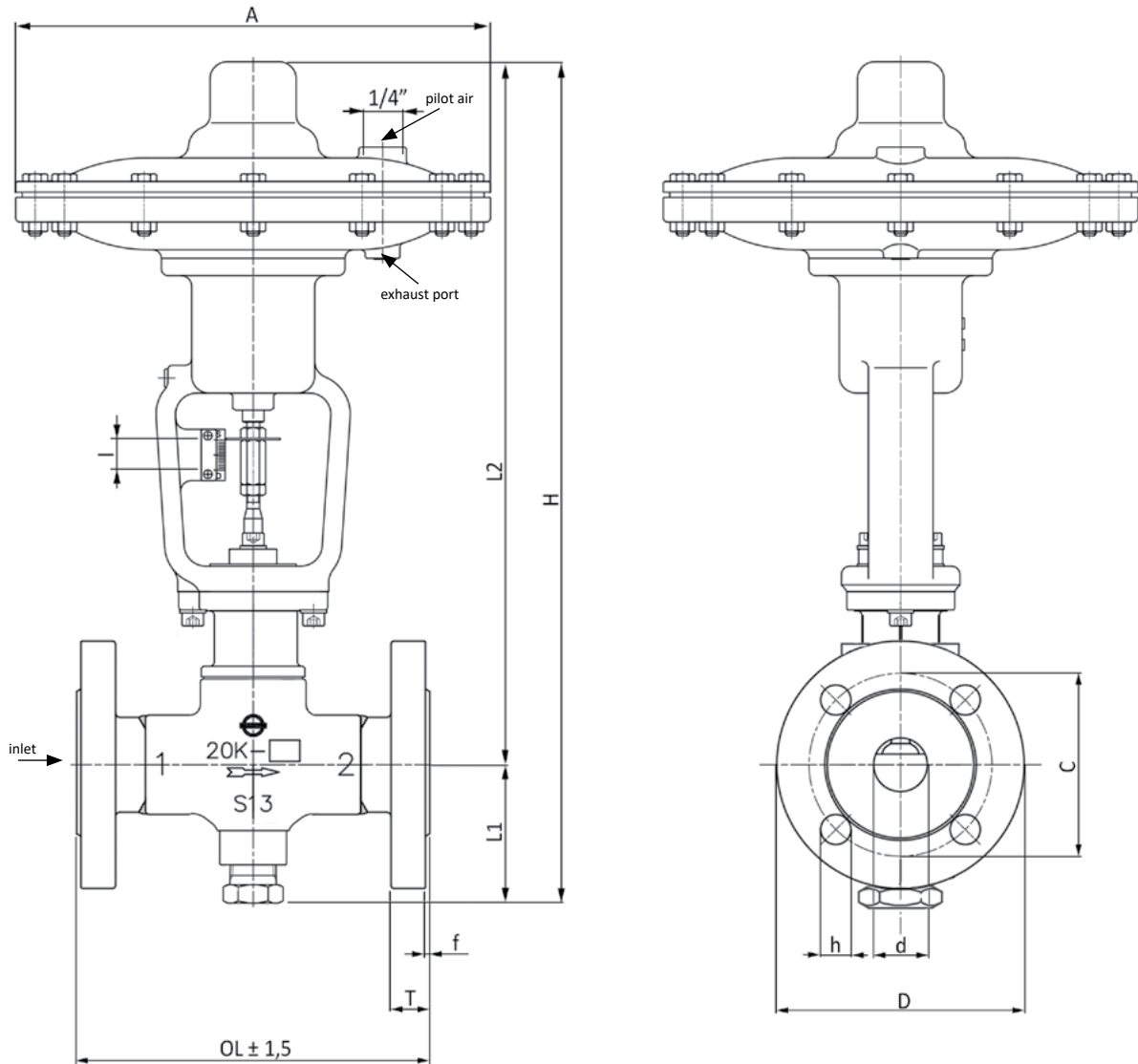


No.	Name	Valve	DC-1221-15* DC-1221-20*	DC-1221-25*
1	Body		D-22115-01*	D-22125-01*
			D-22120-01*	
2	Yoke		D-21115-02	D-21125-02
3	Lower cover		D-21115-03	D-21125-03
4	Upper cover		D-21115-04*	D-21125-04*
5	Stem		D-21115-05	D-21125-05
6	Diaphragm rod		D-21115-06	D-21125-06
7	Bonnet		D-21115-07	D-21125-07
10	Rod guide		D-21115-10	D-21125-10
11	Packing washer		D-21115-11	D-21125-11
12	Gland		D-21115-12	D-21125-12
13	Adjust rod guide		D-21115-13	D-21125-13
14	Spring seat		D-21115-14	D-21125-14
15	Washer		D-21115-15	D-21125-15
16	Diaphragm lower seat		D-21115-16	D-21125-16
17	Diaphragm upper seat		D-21115-17	D-21125-17
19	Join nut		D-21115-19	D-21125-19
20	Orifice plug		D-21115-20	D-21125-20
21	Lift gauge ring		D-21115-21	D-21125-21
22	Lift gauge plate		D-21115-22	D-21125-22

No.	Name	Valve	DC-1221-15* DC-1221-20*	DC-1221-25*
23	Set nut (left)		D-21115-23	D-21125-23
24	Set nut (right)		D-21115-24	D-21125-24
25	Nut		D-21115-25	D-21125-25
26	Spring lock washer		D-21115-26	D-21125-26
27	Socket cap screw (6)		D-21115-27	D-21125-27
28	Spring lock washer (12)		D-21115-28	D-21125-28
29	Nut (12)		D-21115-29	D-21125-29
30	Socket cap screw		D-21115-30	D-21125-30
31	Socket cap screw (2)		D-21115-31	D-21125-31
32	Spring lock washer (2)		D-21115-32	D-21125-32
33	Socket cap screw (2)		D-21115-33	D-21125-33
34	Spring lock washer (2)		D-21115-34	D-21125-34
36	Driving screw (2)		D-21115-36	D-21125-36
37	Packing spring		D-21115-37	D-21125-37
38	Spring		D-21115-38	D-21125-38
39	Gland packing		D-21115-39	D-21125-39
40	Diaphragm		D-21115-40	D-21125-40
41	Dust seal		D-21115-41	D-21125-41
42	Gasket		D-21115-42	D-21125-42
43	Plug		D-22115-43	D-22115-43

* please complete: B = BSPT thread. N = NPT thread

Dimensions (mm)



3

DC valve. with flange. 2/2-way. NO

Model No.	DN	A	D	H	L1	L2	OL (DIN)	OL (ANSI)	OL (JIS)	l = Stroke	Weight (kg)
DC-1222-15DB	15	220	38	378.5	54.7	323.8	154	150	154	14	9.1
DC-1222-20DB	20	220	38	378.5	54.7	323.8	154	162	154	14	9.6
DC-1222-25DB	25	220	46	393.6	64.8	328.8	164	163	164	14	10.4

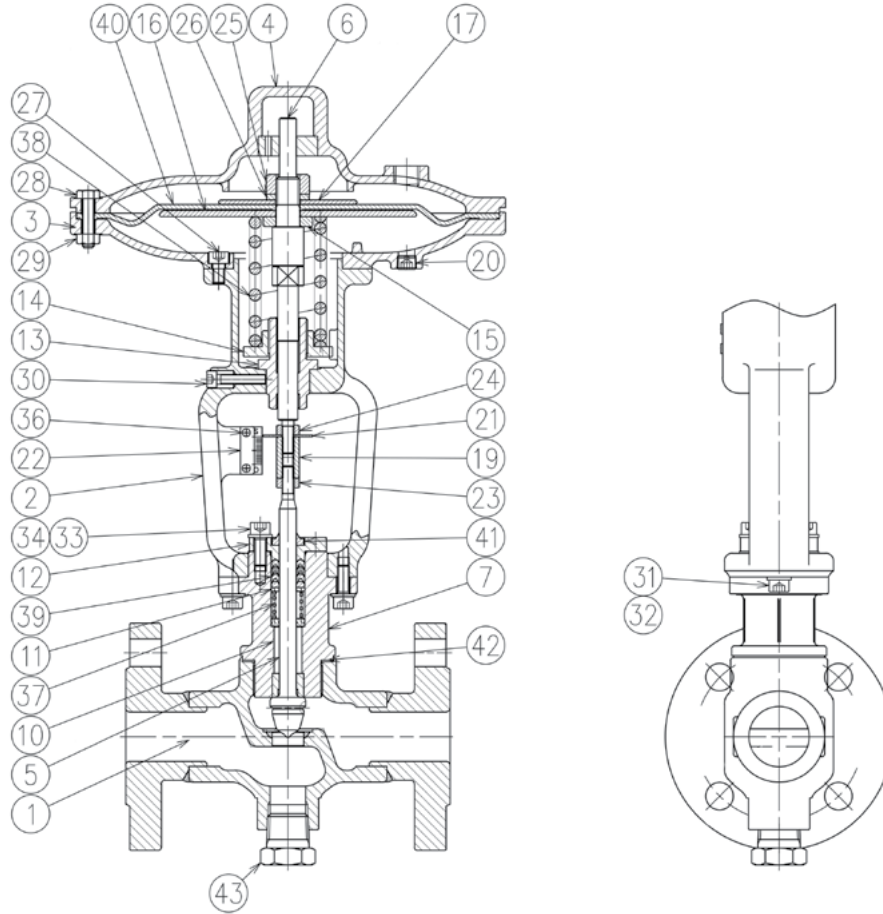
Dimensions for DIN flange

DN	D	C	G	T	f	N	h	Bolt
15	95	65	45	16	2	4	14	M12
20	105	75	58	18	2	4	14	M12
25	115	85	68	18	2	4	14	M12

* Auch als Version A mit ANSI-Flansch oder J mit JIS-Flansch auf Anfrage verfügbar.

* Also available as version A with ANSI flange or J with JIS flange.

Spare parts



No.	Name	Valve	DC-1222-15D*	DC-1222-20D*	DC-1222-25D*
1	Body		D-22115-01D*	D-22120-01D*	D-22125-01D*
2	Yoke		D-21115-02	D-21115-02	D-21125-02
3	Lower cover		D-21115-03	D-21115-03	D-21125-03
4	Upper cover		D-21115-04*	D-21115-04*	D-21125-04*
5	Stem		D-22115-05	D-21115-05	D-21125-05
6	Diaphragm rod		D-21115-06	D-21115-06	D-21125-06
7	Bonnet		D-22115-07	D-22115-07	D-21125-07
8	Bottom plug		D-21115-08	D-21115-08	D-21125-08
10	Rod guide		D-21115-10	D-21115-10	D-21125-10
11	Packing washer		D-21115-11	D-21115-11	D-21125-11
12	Gland		D-21115-12	D-21115-12	D-21125-12
13	Adjust rod guide		D-21115-13	D-21115-13	D-21125-13
14	Spring seat		D-21115-14	D-21115-14	D-21125-14
15	Washer		D-21115-15	D-21115-15	D-21125-15
16	Diaphragm lower seat		D-21115-16	D-21115-16	D-21125-16
17	Diaphragm upper seat		D-21115-17	D-21115-17	D-21125-17
19	Join nut		D-21115-19	D-21115-19	D-21125-19
20	Orifice plug		D-21115-20	D-21115-20	D-21125-20
21	Lift gauge ring		D-21115-21	D-21115-21	D-21125-21
22	Lift gauge plate		D-21115-22	D-21115-22	D-21125-22

No.	Name	Valve	DC-1222-15D*	DC-1222-20D*	DC-1222-25D*
23	Set nut (left)		D-21115-23	D-21115-23	D-21125-23
24	Set nut (right)		D-21115-24	D-21115-24	D-21125-24
25	Nut		D-21115-25	D-21115-25	D-21125-25
26	Spring lock washer		D-21115-26	D-21115-26	D-21125-26
27	Socket cap screw (6)		D-21115-27	D-21115-27	D-21125-27
28	Spring lock washer (12)		D-21115-28	D-21115-28	D-21125-28
29	Nut (12)		D-21115-29	D-21115-29	D-21125-29
30	Socket cap screw		D-21115-30	D-21115-30	D-21125-30
31	Socket cap screw (2)		D-21115-31	D-21115-31	D-21125-31
32	Spring lock washer (2)		D-21115-32	D-21115-32	D-21125-32
33	Socket cap screw (2)		D-21115-33	D-21115-33	D-21125-33
34	Spring lock washer (2)		D-21115-34	D-21115-34	D-21125-34
36	Driving screw (2)		D-21115-36	D-21115-36	D-21115-36
37	Packing spring		D-21115-37	D-21115-37	D-21125-37
38	Spring		D-21115-38	D-21115-38	D-21125-38
39	Gland packing		D-21115-39	D-21115-39	D-21125-39
40	Diaphragm		D-21115-40	D-21115-40	D-21125-40
41	Dust seal		D-21115-41	D-21115-41	D-21125-41
42	Gasket		D-21115-42	D-21115-42	D-21125-42
43	Plug		D-22115-43	D-22115-43	D-22125-43

* please complete: B = BSPT thread. N = NPT thread

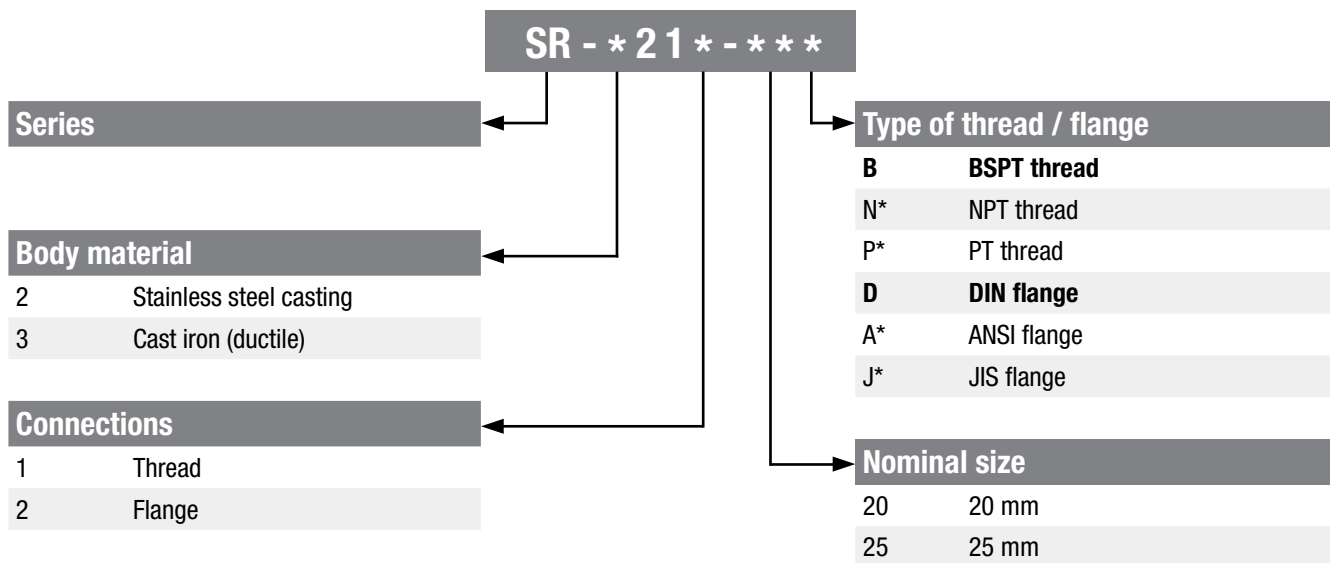
These valves are designed for control the flow of steam, nitrogen and air. They guarantee highly accurate process control. The output pressure can be varied by means of remote setting (pressure reduction of the pilot control air).

Mounting	Horizontal
Operating pressure	max. 13 bar (188 psi)
Nominal pressure	PN 40
Leckagerate Leakage rate	ANSI/ FCI 70-2 Class VI
C _v -Wert C _v value	DN 20 2.4 DN 25 3.0
Temperature range	max + 205°C (+ 401°F)
Medium	Steam, Nitrogen, Air
Body material	Stainless steel casting
Stem and seat material	Stainless steel
Packing material	Graphite-reinforced Teflon®
Seal type	Graphite-reinforced Teflon®



4

Order Code

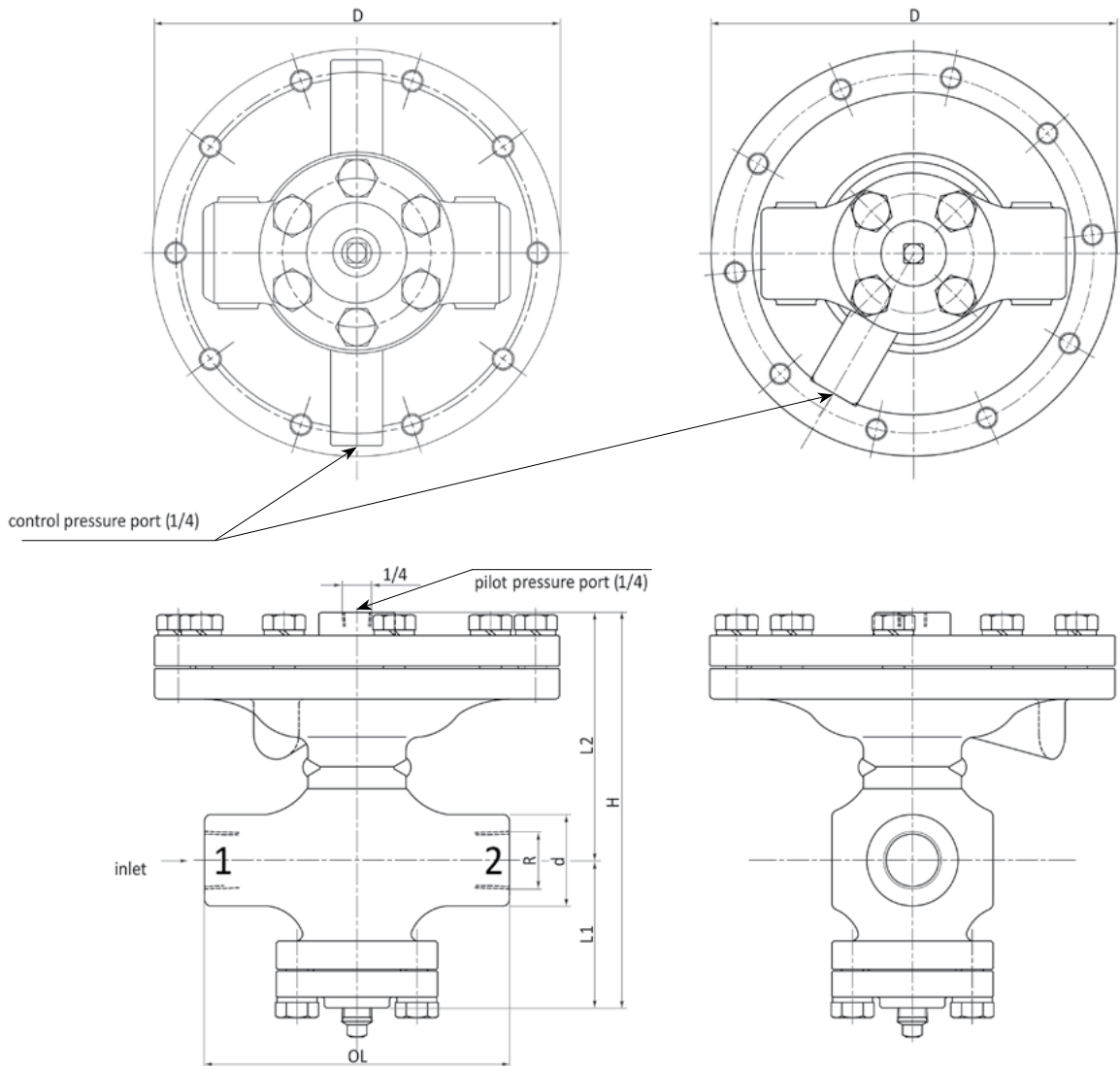


* Available on request. No stock item.

Dimensions (mm)

SR-2 series BSPT thread

SR-2 series NPT- and PT thread. SR-3 series



SR Process regulating valve. tapped

Model No.	DN	Internal thread R*	D	d	H	L1	L2	OL	Weight (kg)
SR-2211-20*	20	3/4	186	42	181	68	113	140	8.4
SR-2211-25*	25	1	228	48	205	77	128	165	13.4
SR-3211-20*	20	3/4	186	46	181	68	113	140	8.6
SR-3211-25*	25	1	228	52	205	77	128	165	13.7

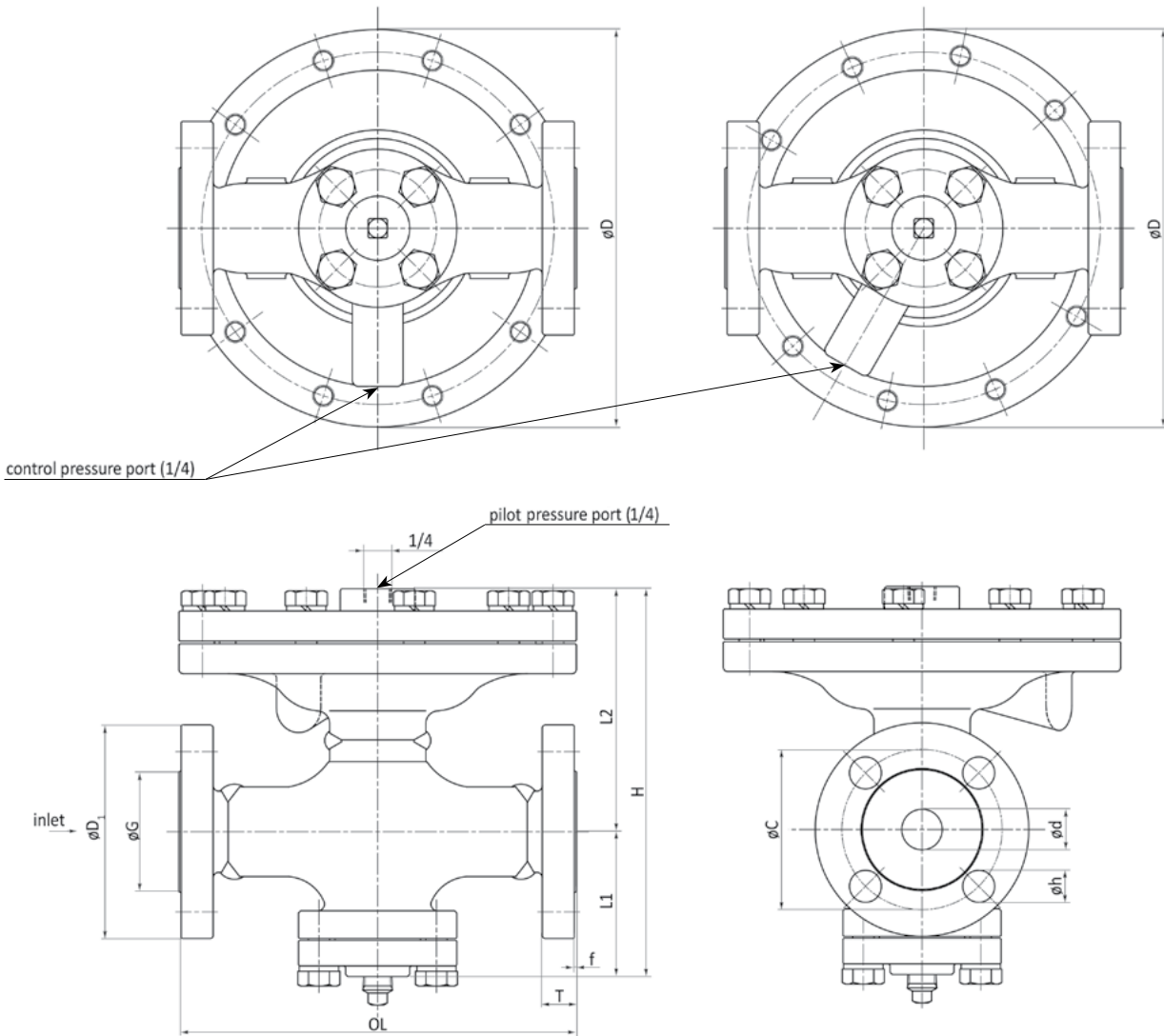
*Thread type BSPT (Rc) according to ISO 7-1 DIN EN 10226/1. Valves with NPT or PT thread are available on request (The dimensions are identical to the standard BSPT version).

For the order number please see the ordering number code on page 35.

Dimensions (mm)

DIN flange

ANSI flange. JIS flange



4

SR Process regulating valve. with flange

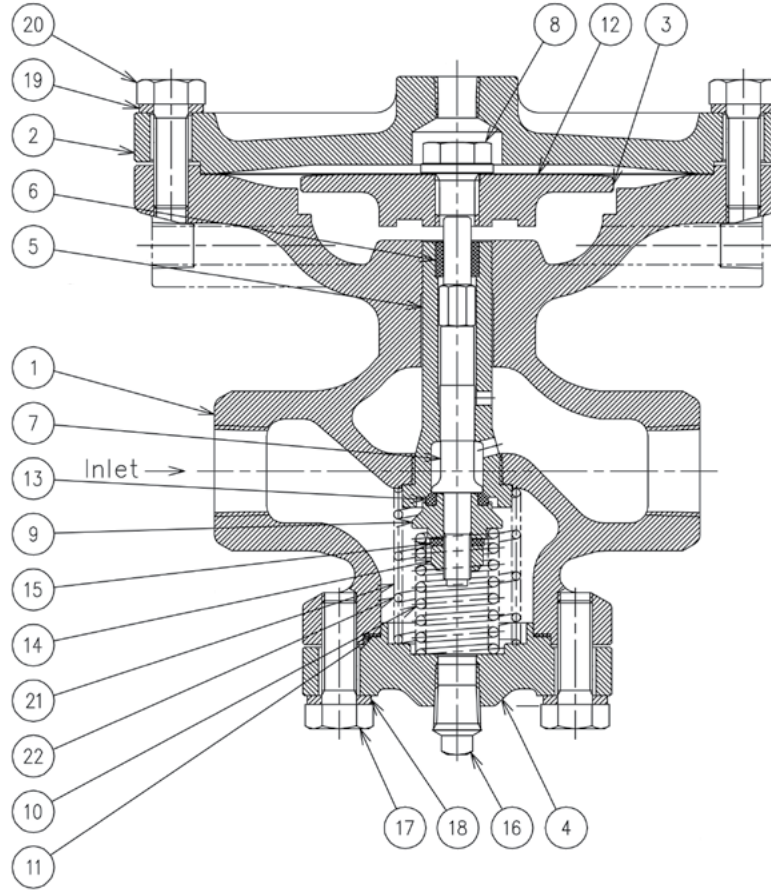
Model No.	DN	D	H	L1	L2	OL (DIN)	OL (ANSI)	OL (JIS)	Weight (kg)
SR-2212-20D*	20	186	181	68	113	190	190	186	11.0
SR-2212-25D*	25	228	205	77	128	215	215	212	16.2

Dimensions for DIN flange

DN	D ₁	C	G	T	f	N	h	Bolt
20	105	75	58	18	2	4	14	M12
25	115	85	68	18	2	4	14	M12

* Also available as version A with ANSI flange or J with JIS flange.

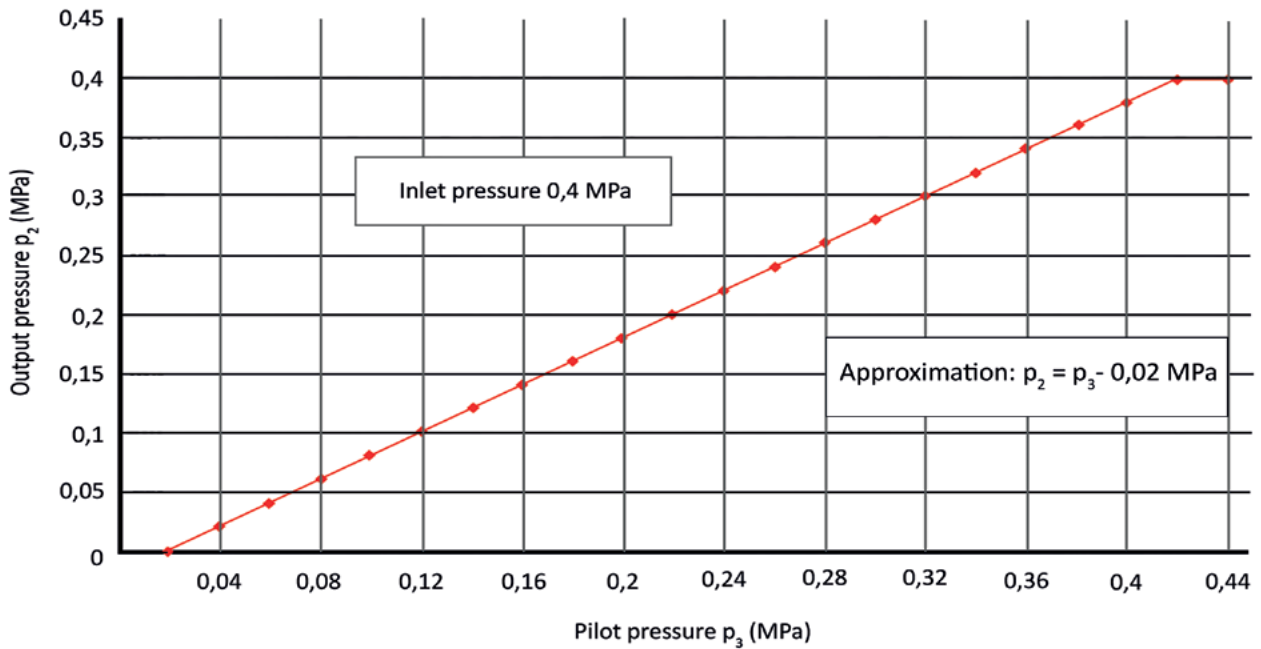
Spare parts



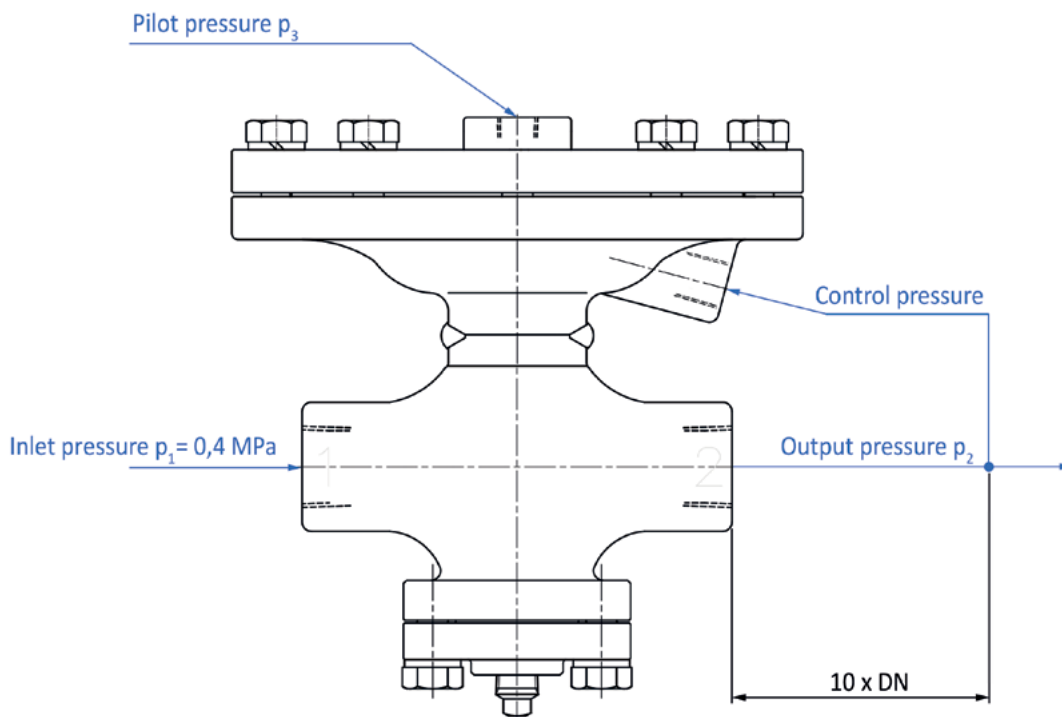
No.	Name	Valve	SR-2111-20*	SR-2111-25*	SR-3111-20*	SR-3111-25*	SR-2112-20D	SR-2112-25D
1	Body		R-21120-01*	R-21125-01*	R-31120-01*	R-31125-01*	R-21120-01D	R-21125-01D
2	Cover		R-21120-02*	R-21125-02*	R-21120-02*	R-21125-02*	R-21120-02*	R-21125-02*
3	Diaphragm plate		R-21120-03	R-21125-03	R-21120-03	R-21125-03	R-21120-03	R-21125-03
4	Bottom cover		R-21120-04	R-21125-04	R-31120-04	R-21125-04	R-21120-04	R-21125-04
5	Center seat		R-21120-05	R-21125-05	R-21120-05	R-21125-05	R-21120-05	R-21125-05
6	Guide bushing		R-21120-06	R-21125-06	R-21120-06	R-21125-06	R-21120-06	R-21125-06
7	Center rod		R-21120-07	R-21125-07	R-21120-07	R-21125-07	R-21120-07	R-21125-07
8	Screw		R-21120-08	R-21125-08	R-21120-08	R-21125-08	R-21120-08	R-21125-08
9	Disc adapter		R-21120-09	R-21125-09	R-21120-09	R-21125-09	R-21120-09	R-21125-09
10	Disc spring		R-21120-10	R-21125-10	R-21120-10	R-21125-10	R-21120-10	R-21125-10
11	Gasket		R-21120-11	R-21125-11	R-31120-11	R-31125-11	R-21120-11	R-21125-11
12	Diaphragm (2)		R-21120-12	R-21125-12	R-21120-12	R-21125-12	R-21120-12	R-21125-12
13	Disc ring		R-21120-13	R-21125-13	R-21120-13	R-21125-13	R-21120-13	R-21125-13
14	U-nut		R-21120-14	R-21125-14	R-21120-14	R-21125-14	R-21120-14	R-21125-14
15	Spring washer		R-21120-15	R-21125-15	R-21120-15	R-21125-15	R-21120-15	R-21125-15
16	Plug		R-21120-16	R-21125-16	R-21120-16	R-21125-16	R-21120-16	R-21125-16
17	Hex head screw		R-21120-17 (4)	R-21125-17 (4)	R-31120-17 (6)	R-31125-17 (6)	R-21120-17 (4)	R-21125-17 (4)
18	Spring washer		R-21120-18 (4)	R-21125-18 (4)	R-21120-18 (6)	R-21125-18 (6)	R-21120-18 (4)	R-21125-18 (4)
19	Spring washer (10)		R-21120-19	R-21125-19	R-21120-19	R-21125-19	R-21120-19	R-21125-19
20	Hex head screw (10)		R-21120-20	R-21125-20	R-21120-20	R-21125-20	R-21120-20	R-21125-20
21	Filter		-	-	R-31120-21	R-31125-21	-	-
22	Filter spring		-	-	R-31120-22	R-31125-22	-	-

* please complete: B = BSPT thread. N = NPT thread

Ratio between pilot pressure and output pressure

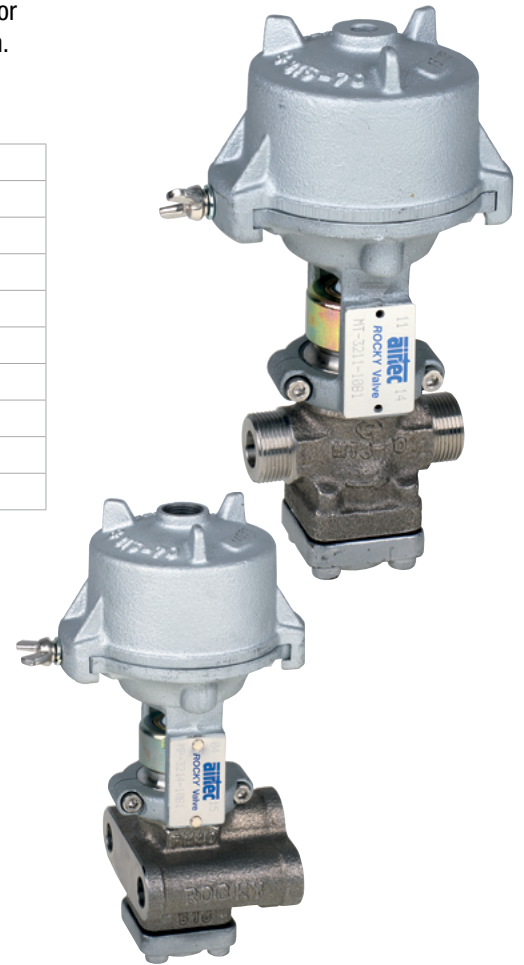


4

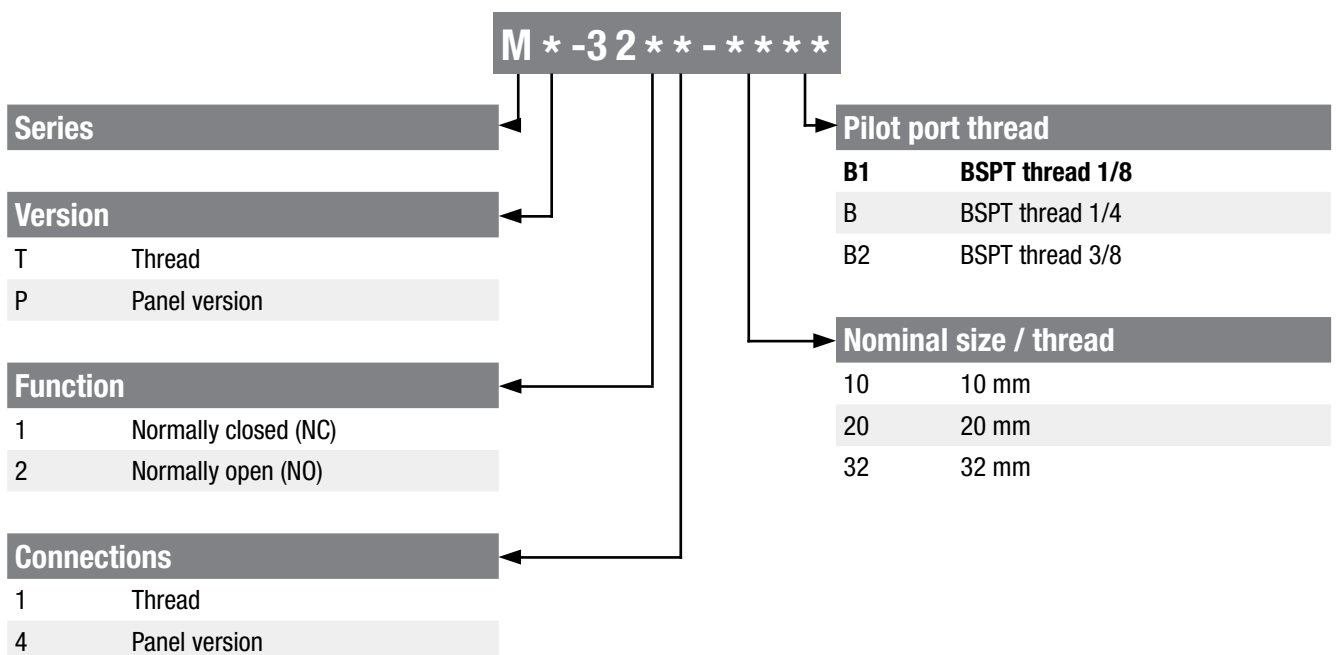


These valves are designed for the use with Steam. Hot Water. Cold Water. Air. Gas or on Vacuum Service. This valves are especially made for manifold block application. The design based on the long field proven TPC series in the tire industry.

Operating pressure	max. 40 bar (580 psi)
Back pressure	max. 25 bar (362 psi)
Pilot pressure	4.5 – 7 bar (65-101psi)
Nominal pressure	PN 40
Temperature range	- 30°C to + 215°C (- 22°F to + 419°F)
Medium	Steam. Nitrogen. Air
Body material	Stainless steel casting
Stem and seat material	Stainless steel
Packing material	Graphite-reinforced Teflon®
Seal type	Carbon Teflon®

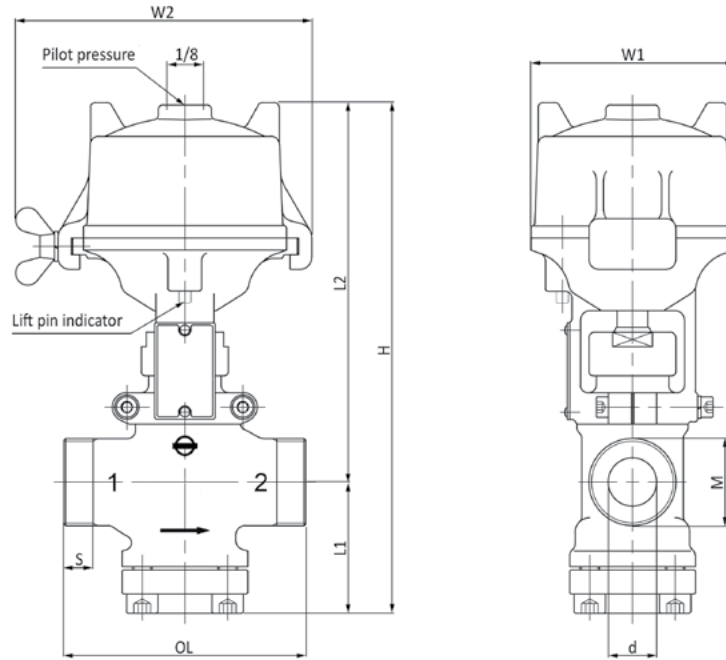


Order Code

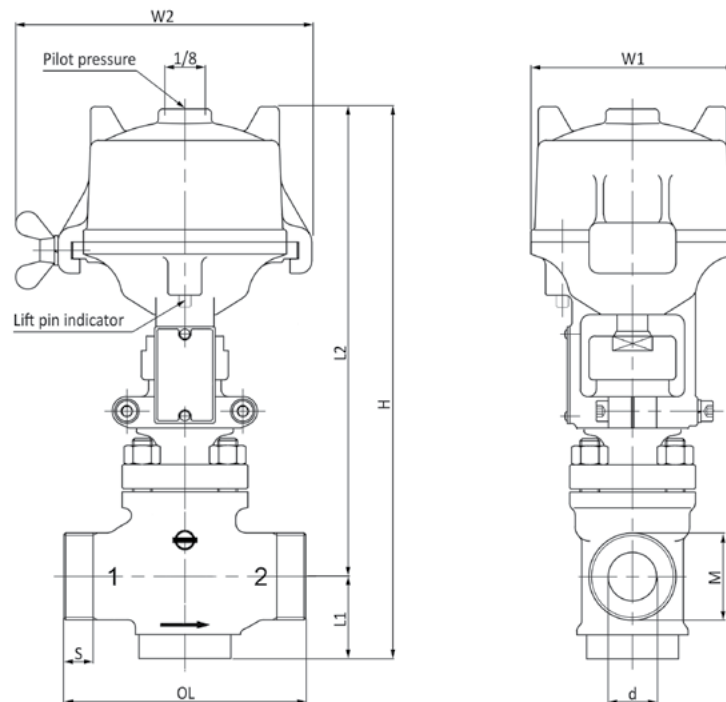


Dimensions (mm)

MT-3211
normally closed



MT-3221
normally open



5

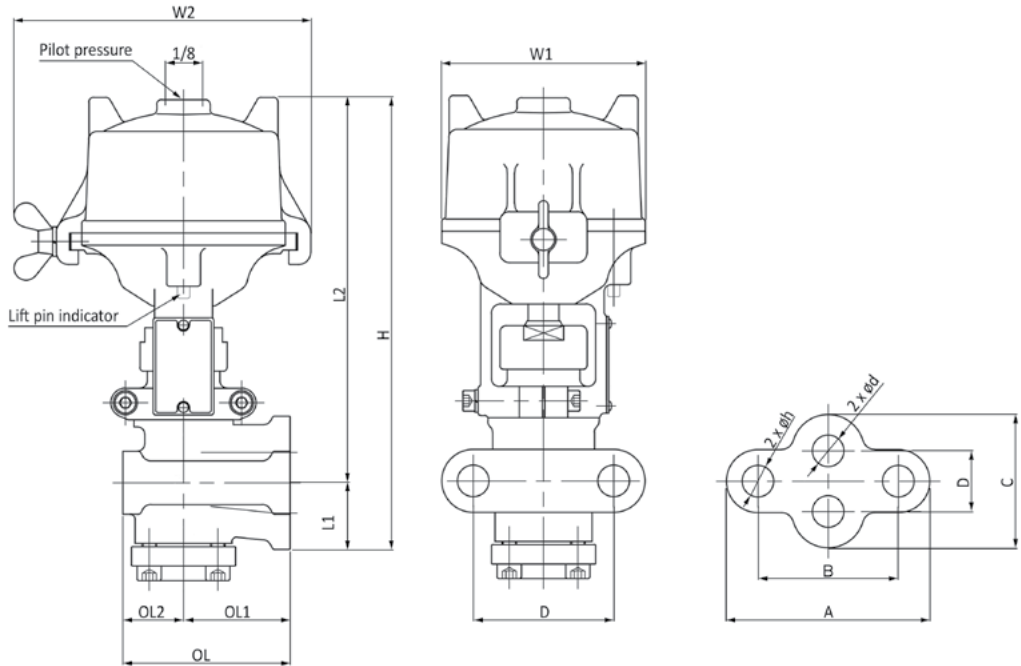
MT valve, tapped

Model No.	DN	d	OL	M	S	L1	L2	H	W ₁	W ₂	Weight (kg)
MT-3211-10*	10	13	76	M25 x 1.5	11	45.3	153	198.3	84	112	2.5
MT-3211-20*	20	20	100	M36 x 2.0	12	54.3	157	211.3	84	112	3.0
MT-3221-10*	10	13	76	M25 x 1.5	11	30	185.3	215.3	84	112	2.6
MT-3221-20*	20	20	100	M36 x 2.0	12	36	194.3	230.3	84	112	3.2

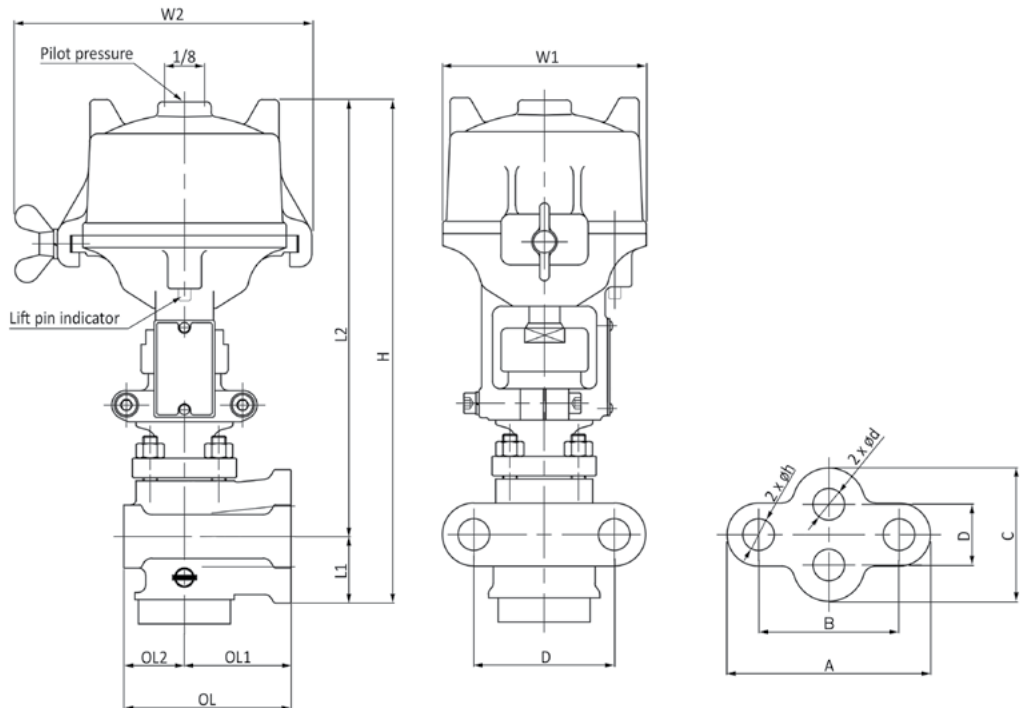
* please complete: B1 = 1/8, B = 1/4, B2 = 3/8

Dimensions (mm)

MP-3214
normally closed



MP-3224
normally open



MT valve, panel version

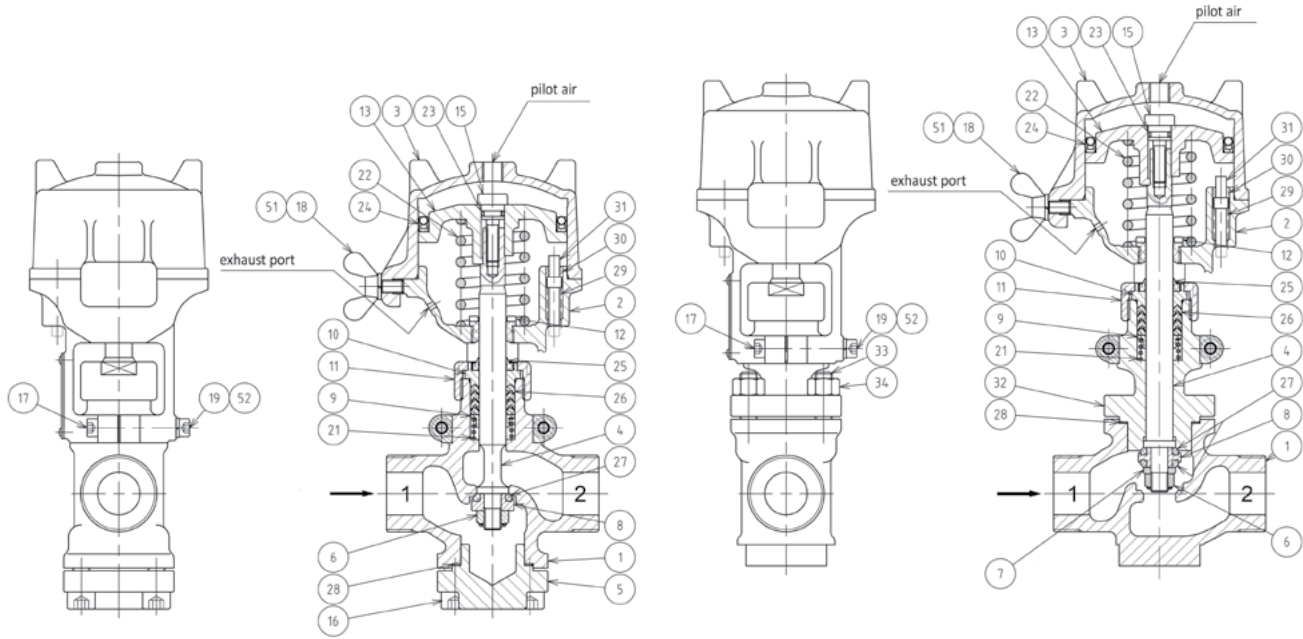
Model No.	DN	d	OL1	OL2	OL	L1	L2	H	W ₁	W ₂	A	B	C	D	h	Weight
MP-3214-10*	10	13	44	25	69	42.3	159	201.3	84	112	84	58	55	25	13	3.1
MP-3214-20*	20	19	53	27	80	52.8	185.5	238.3	100	128	90	64	80	40	13	4.9
MP-3214-32*	32	32	62	38	100	76.3	229	305.3	128	157	124	90	114	50	17	9.5
MP-3224-10*	10	13	44	25	69	36	182.3	218.3	84	112	84	58	55	25	13	3.2
MP-3224-20*	20	19	53	27	80	44	213.3	257.3	100	128	90	64	80	40	13	5.0

* please complete: B1 = 1/8. B = 1/4. B2 = 3/8

Spare parts

MT. normally closed

MT. normally open



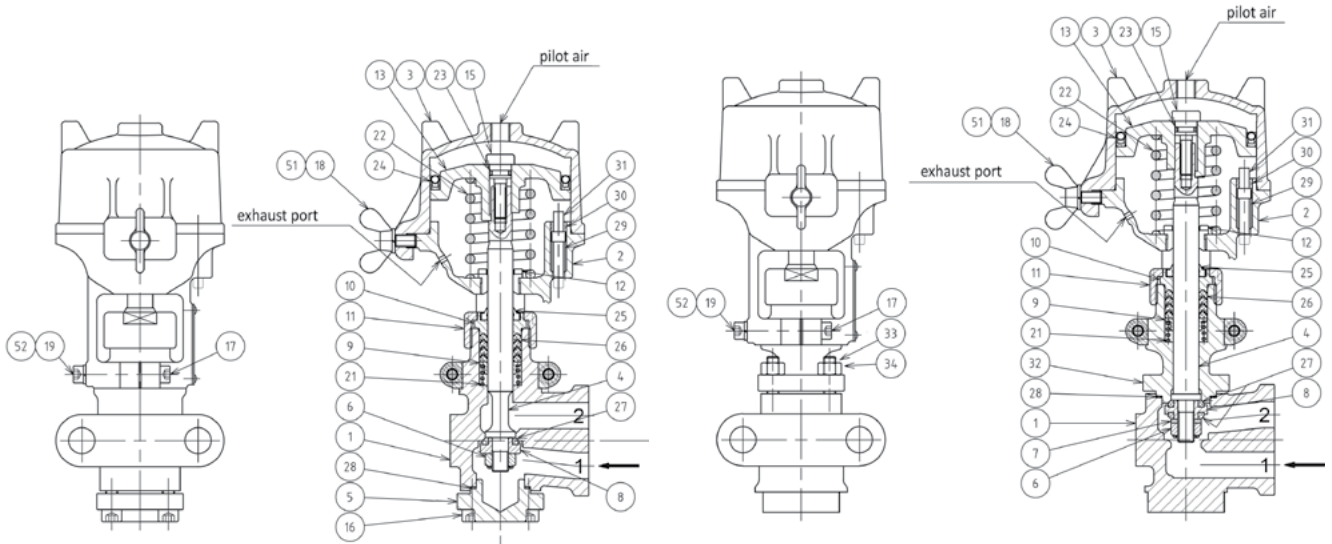
No.	Name	Valve	MT-3211-10-*	MT-3211-20-*	MT-3221-10-*	MT-3221-20-*
1	Body		MT-31115 - 01	MT-31120 - 01	MT-32115 - 01	MT-32120 - 01
2	Yoke		PP-11415 - 02	PP-11420 - 02	PP-11415 - 02	PP-11420 - 02
3	Cylinder		PP-11415 - 03 *	PP-11420 - 03 *	PP-11415 - 03 *	PP-11420 - 03 *
4	Stem		MT-31110 - 04	MT-31120 - 04	MT-32110 - 04	MT-32120 - 04
5	Lower seat		MT-31110 - 05	MT-31120 - 05	-	-
6	U-nut		C-21115 - 06	C-21120 - 06	C-21115 - 06	C-21120 - 06
7	Guide washer		-	-	C-21115 - 07	C-21120 - 07
8	Disc adapter		PP-114215 - 08	PP-114220 - 08	C-21115 - 08	C-21120 - 08
9	Ring washer		C-21115 - 09	C-21120 - 09	C-21115 - 09	C-21120 - 09
10	Gland		C-21115 - 10	C-21120 - 10	C-21115 - 10	C-21120 - 10
11	Gland nut		C-21115 - 11	C-21120 - 11	C-21115 - 11	C-21120 - 11
12	Guide bushing		C-21115 - 12	C-21120 - 12	C-21115 - 12	C-21120 - 12
13	Piston		MT-31110 - 13	MT-31120 - 13	MT-31110 - 13	MT-31120 - 13
15	Tension bolt		C-21115 - 15	C-21120 - 15	C-21115 - 15	C-21120 - 15
16	Socket cap screw		C-21115 - 16	C-21120 - 16	C-21115 - 16	C-21120 - 16
17	Socket cap screw		C-21115 - 17	C-21120 - 17	C-21115 - 17	C-21120 - 17
18	Wing bolt		C-21115 - 18	C-21120 - 18	C-21115 - 18	C-21120 - 18
19	Socket cap screw		C-21115 - 19	C-21120 - 19	C-21115 - 19	C-21120 - 19
21	Packing spring		C-21115 - 21	C-21120 - 21	C-21115 - 21	C-21120 - 21
22	Piston Spring		MT-31110 - 22	MT-31120 - 22	MT-32110 - 22	MT-32120 - 22
23	O-ring		C-21115 - 23	C-21120 - 23	C-21115 - 23	C-21120 - 23
24	Piston ring		PP-11415 - 24	PP-11420 - 24	PP-11415 - 24	PP-11420 - 24
25	Dust seal		C-21115 - 25	C-21120 - 25	C-21115 - 25	C-21120 - 25
26	Gland packing		C-21115 - 27	C-21120 - 27	C-21115 - 27	C-21120 - 27
27	Disc ring (2x)		C-21115 - 28	C-21120 - 28	C-21115 - 28	C-21120 - 28
28	Lower seat gasket		C-21115 - 30	C-21120 - 30	C-21115 - 30	C-21120 - 30
29	Indikator spring		PP-11415 - 29	PP-11420 - 29	PP-11415 - 29	PP-11420 - 29
30	Dry bearing		PP-11415 - 30	PP-11420 - 30	PP-11415 - 30	PP-11420 - 30
31	Lift pin gauge		PP-11415 - 31	PP-11420 - 31	PP-11415 - 31	PP-11420 - 31
32	Bonnet		-	-	MP-32410 - 32	MP-32420 - 32
33	Stud bolt		-	-	PP-12415 - 33	PP-12420 - 33
34	Nut		-	-	PP-12415 - 34	PP-12420 - 34
51	Spring lock washer		C-21115 - 51	C-21120 - 51	C-21115 - 51	C-21120 - 51
52	Spring lock washer		C-21115 - 51	C-21120 - 51	C-21115 - 51	C-21120 - 51

* please complete: B1 = 1/8, B = 1/4, B2 = 3/8

Spare parts

MP. normally closed

MP. normally open

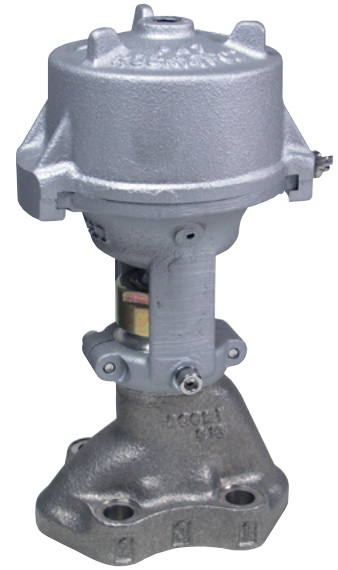


No.	Name	Valve	MP-3214-10-*	MP-3214-20-*	MP3214-32-*	MP-3224-10-*	MP-3224-20-*
1	Body		MP-31410 - 01	MP-31420 - 01	MP-11432 - 01	MT-32410 - 01	MT-32420 - 01
2	Yoke		PP-11415 - 02	PP-11420 - 02	PP-11432 - 02	PP-11415 - 02	PP-11420 - 02
3	Cylinder		PP-11415 - 03 *	PP-11420 - 03 *	PP-11432 - 03 *	PP-11415 - 03 *	PP-11420 - 03 *
4	Stem		MT-31420 - 04	MT-31420 - 04	MT-31432 - 04	MP-32410 - 04	MP-32420 - 04
5	Lower seat		MT-31110 - 05	MT-31120 - 05	MT-31132 - 05	-	-
6	U-nut		C-21120 - 06	C-21120 - 06	C-21120 - 06	C-21120 - 06	C-21120 - 06
7	Guide washer		-	-	-	C-21120 - 07	C-21120 - 07
8	Disc adapter		PP-11420 - 08	PP-11420 - 08	PP-11432 - 08	C-21120 - 08	C-21120 - 08
9	Ring washer		C-21115 - 09	C-21120 - 09	C-21132 - 09	C-21115 - 09	C-21120 - 09
10	Gland		C-21115 - 10	C-21120 - 10	C-21132 - 10	C-21115 - 10	C-21120 - 10
11	Gland nut		C-21115 - 11	C-21120 - 11	C-21132 - 11	C-21115 - 11	C-21120 - 11
12	Guide bushing		C-21115 - 12	C-21120 - 12	C-21132 - 12	C-21115 - 12	C-21120 - 12
13	Piston		MT-31110 - 13	MT-31120 - 13	MT-31132 - 13	MT-31110 - 13	MT-31120 - 13
15	Tension bolt		C-21115 - 15	C-21120 - 15	C-21132 - 15	C-21115 - 15	C-21120 - 15
16	Socket cap screw		C-21115 - 16	C-21120 - 16	C-21132 - 16	-	-
17	Socket cap screw		C-21115 - 17	C-21120 - 17	C-21132 - 17	C-21115 - 17	C-21120 - 17
18	Wing bolt		C-21115 - 18	C-21120 - 18	C-21132 - 18	C-21115 - 18	C-21120 - 18
19	Socket cap screw		C-21115 - 19	C-21120 - 19	C-21132 - 19	C-21115 - 19	C-21120 - 19
21	Packing spring		C-21115 - 21	C-21120 - 21	C-21132 - 21	C-21115 - 21	C-21120 - 21
22	Piston Spring		MT-31110 - 22	MT-31120 - 22	MT-31132 - 22	MT-32110 - 22	MT-32120 - 22
23	O-ring		C-21115 - 23	C-21120 - 23	C-21132 - 23	C-21115 - 23	C-21120 - 23
24	Piston ring		PP-11415 - 24	PP-11420 - 24	PP-11432 - 24	PP-11415 - 24	PP-11420 - 24
25	Dust seal		C-21115 - 25	C-21120 - 25	C-21132 - 25	C-21115 - 25	C-21120 - 25
26	Gland packing		C-21115 - 27	C-21120 - 27	C-21132 - 27	C-21120 - 27	C-21120 - 27
27	Disc ring (2x)		C-21115 - 28	C-21120 - 28	C-21132 - 28	C-21115 - 28	C-21120 - 28
28	Lower seat gasket		C-21115 - 30	C-21120 - 30	C-21132 - 30	C-21115 - 30	C-21120 - 30
29	Indicator spring		PP-11415 - 29	PP-11420 - 29	PP-11432 - 29	PP-11415 - 29	PP-11420 - 29
30	Dry bearing		PP-11415 - 30	PP-11420 - 30	PP-11432 - 30	PP-11415 - 30	PP-11420 - 30
31	Lift pin gauge		PP-11415 - 31	PP-11420 - 31	PP-11432 - 31	PP-11415 - 31	PP-11420 - 31
32	Bonnet		-	-	-	MP-32410 - 32	MP-32420 - 32
33	Stud bolt		-	-	-	PP-12415 - 33	PP-12420 - 33
34	Nut		-	-	-	PP-12415 - 34	PP-12420 - 34
51	Spring lock washer		C-21115 - 51	C-21120 - 51	C-21132 - 51	C-21115 - 51	C-21120 - 51
52	Spring lock washer		C-21115 - 51	C-21120 - 51	C-21132 - 51	C-21115 - 51	C-21120 - 51

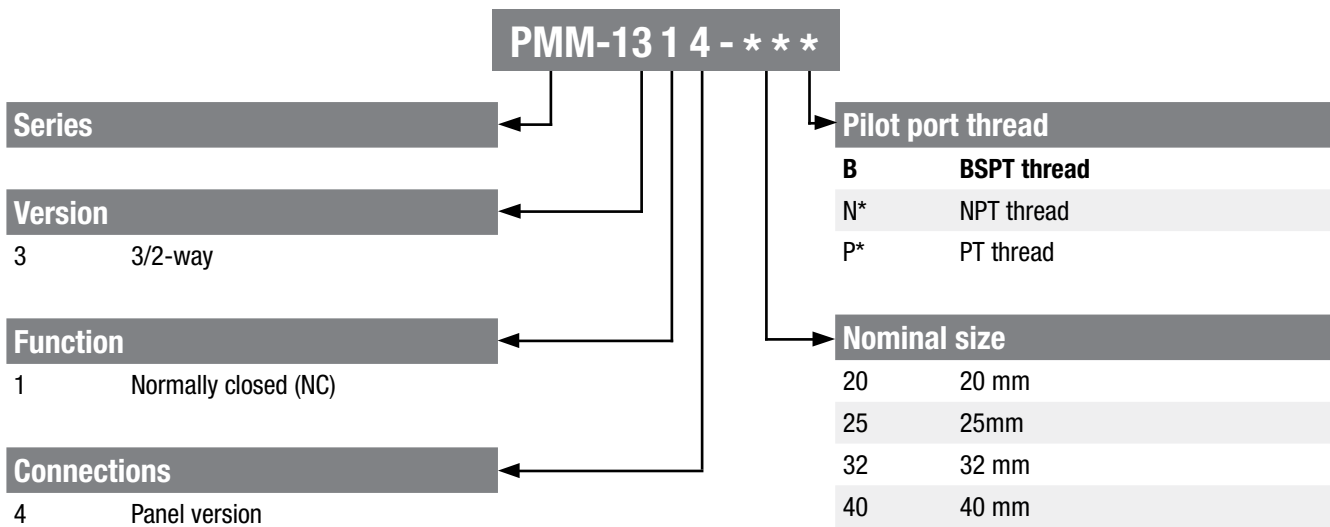
* please complete: B1 = 1/8. B = 1/4. B2 = 3/8

These valves are designed for the use with Steam. Hot Water. Cold Water. Air. Gas or on Vacuum Service. This valves are especially made for manifold block application. The design based on the long field proven TPC series in the tire industry.

Operating pressure	max. 40 bar (580 psi)
Back pressure	max. 25 bar (362 psi)
Pilot pressure	2.5 – 3.5 bar (36-51 psi)
Nominal pressure	PN 40
Temperature range	- 30°C to + 215°C (- 22°F to + 419°F)
Medium	Steam. Nitrogen. Air
Body material	Stainless steel casting
Stem and seat material	Stainless steel
Packing material	Graphite-reinforced Teflon®
Seal type	Carbon Teflon®

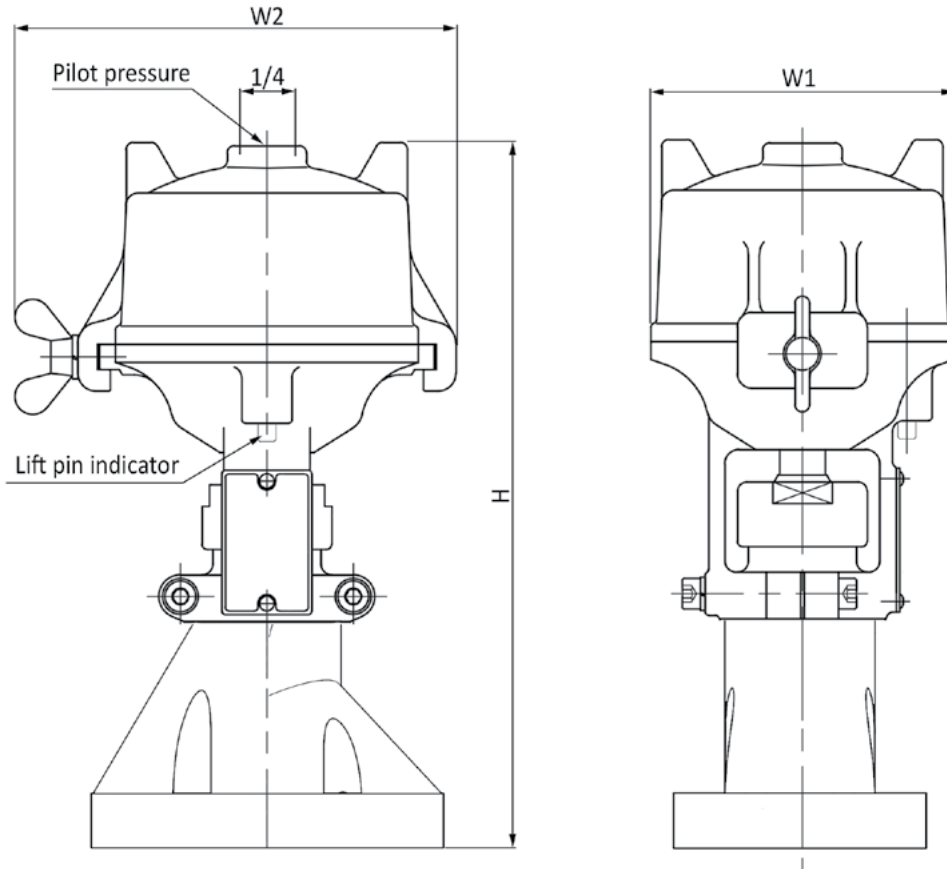


Order Code

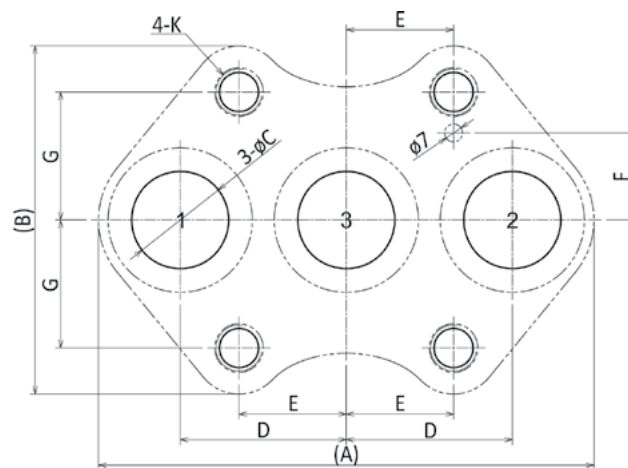


* Available on request. No stock item.

Dimensions (mm)

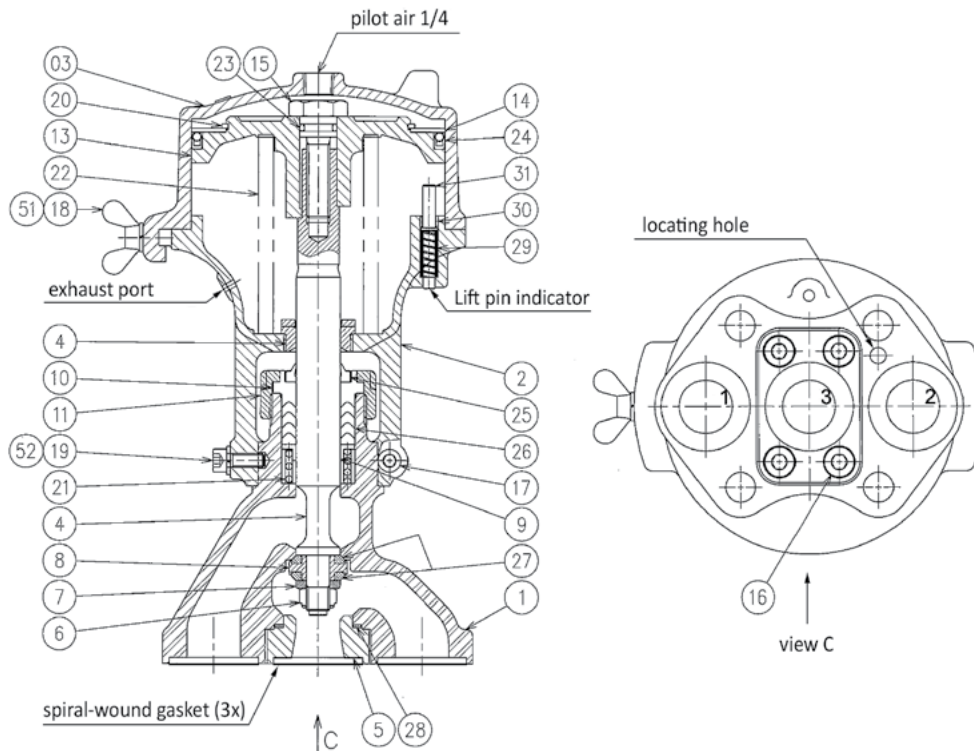


Foot print dimension



Model No.	DN	A	B	C	D	E	F	G	H	K	W1	W2	Weight (kg)
PMM-1314-20B	20	118	84	19	40	27	18	30	222.5	M12	100	139	4.3
PMM-1314-25B	25	134	98	23	45	30	22	35	257	M12	128	169	6.9
PMM-1314-32B	32	166	120	32	55	37	30	45	292	M16	142	185	9.8
PMM-1314-40B	40	194	136	38	65	42	34	50	353	M18	170	211	16.6

Spare parts



No.	Name	Valve	PMM-1314-20B	PMM-1314-25B	PMM-1314-32B	PMM-1314-40B
1	Body		PM-11420 - 01	PM-11425 - 01	PM-11432 - 01	PM-11440 - 01
2	Yoke		PP-11420 - 02	PP-11425 - 02	PP-11432 - 02	PP-11440 - 02
3	Cylinder		PP-11420 - 03 *	PP-11425 - 03 *	PP-11432 - 03 *	PP-11440 - 03 *
4	Stem		PM-11420 - 04	PM-11425 - 04	PM-11432 - 04	PM-11440 - 04
5	Lower seat		PM-11420 - 05	PM-11425 - 05	PM-11432 - 05	PM-11440 - 05
6	U-nut		C-21120 - 06	C-21125 - 06	C-21132 - 06	C-21140 - 06
7	Guide washer		C-21120 - 07	C-21125 - 07	C-21132 - 07	C-21140 - 07
8	Disc adapter		C-21120 - 08	C-21125 - 08	C-21132 - 08	C-21140 - 08
9	Ring washer		C-21120 - 09	C-21125 - 09	C-21132 - 09	C-21140 - 09
10	Gland		C-21120 - 10	C-21125 - 10	C-21132 - 10	C-21140 - 10
11	Gland nut		C-21120 - 11	C-21125 - 11	C-21132 - 11	C-21140 - 11
12	Guide bushing		C-21120 - 12	C-21125 - 12	C-21132 - 12	C-21140 - 12
13	Piston		PP-11420 - 13	PP-11425 - 13	PP-11432 - 13	PP-11440 - 13
14	Ring plate		PP-11420 - 14	PP-11425 - 14	PP-11432 - 14	PP-11440 - 14
15	Tension bolt		C-21120 - 15	C-21125 - 15	C-21132 - 15	C-21140 - 15
16	Socket cap screw		-	-	-	-
17	Socket cap screw		C-21120 - 17	C-21125 - 17	C-21132 - 17	C-21140 - 17
18	Wing bolt		C-21120 - 18	C-21125 - 18	C-21132 - 18	C-21140 - 18
19	Socket cap screw		C-21120 - 19	C-21125 - 19	C-21132 - 19	C-21140 - 19
20	Retaining ring		PP-11420 - 20	PP-11425 - 20	PP-11432 - 20	PP-11440 - 20
21	Packing spring		C-21120 - 21	C-21125 - 21	C-21132 - 21	C-21140 - 21
22	Piston Spring		C-21120 - 22	C-21125 - 22	C-21132 - 22	C-21140 - 22
23	O-ring		C-21120 - 23	C-21125 - 23	C-21132 - 23	C-21140 - 23
24	Piston ring		C-21120 - 24	C-21125 - 24	C-21132 - 24	C-21140 - 24
25	Dust seal		C-21120 - 25	C-21125 - 25	C-21132 - 25	C-21140 - 25
26	Gland packing		C-21120 - 27	C-21125 - 27	C-21132 - 27	C-21140 - 27
27	Disc ring (2x)		C-21120 - 28	C-21125 - 28	C-21132 - 28	C-21140 - 28
28	Lower seat gasket		PM-11420 - 28	PM-11425 - 28	PM-11432 - 28	PM-11440 - 28
29	Indicator spring		PP-11420 - 29	PP-11425 - 29	PP-11432 - 29	PP-11440 - 29
30	Dry bearing		PP-11420 - 30	PP-11425 - 30	PP-11432 - 30	PP-11440 - 30
31	Lift pin gauge		PP-11420 - 31	PP-11425 - 31	PP-11432 - 31	PP-11440 - 31
51	Spring lock washer		C-21120 - 51	C-21125 - 51	C-21132 - 51	C-21140 - 51
52	Spring lock washer		C-21120 - 51	C-21125 - 51	C-21132 - 51	C-21140 - 51

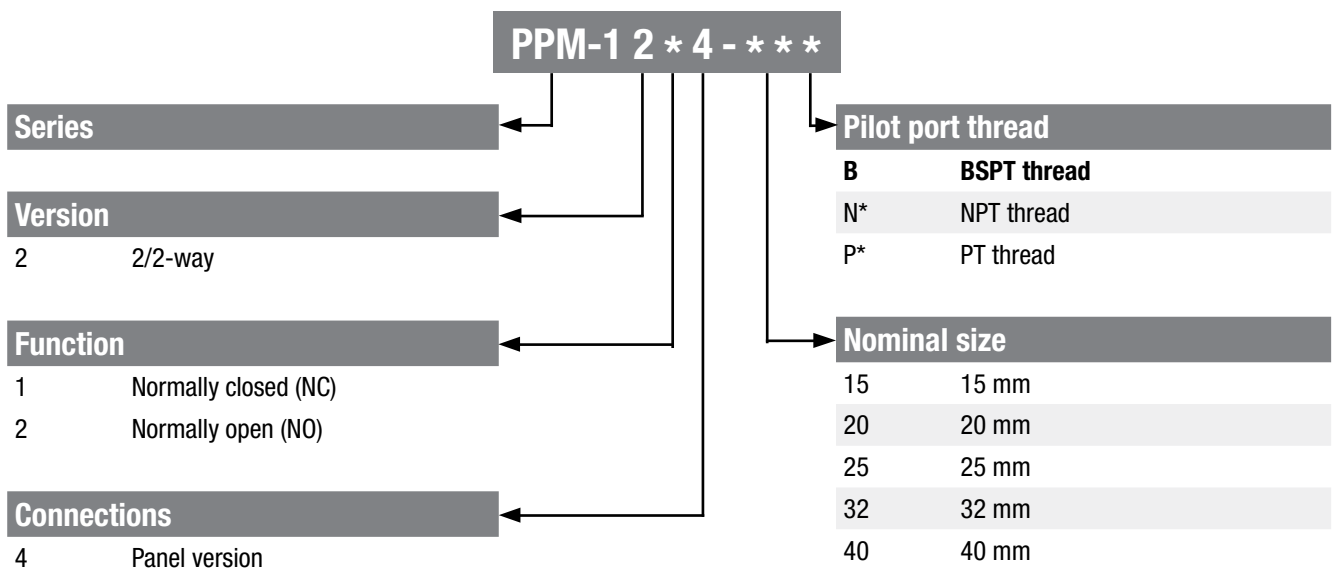
* please complete: B = BSPT thread, N = NPT thread, P = PT thread

These valves are designed for the use with Steam. Hot Water. Cold Water. Air. Gas or on Vacuum Service. This valves are especially made for manifold block application. The design based on the long field proven TPC series in the tire industry.

Operating pressure	max. 40 bar (580 psi)
Back pressure	max. 25 bar (362 psi)
Pilot pressure	2.5 – 3.5 bar (36-51 psi)
Nominal pressure	PN 40
Temperature range	- 30°C to + 215°C (- 22°F to + 419°F)
Medium	Steam. Nitrogen. Air
Body material	Stainless steel casting
Stem and seat material	Stainless steel
Packing material	Graphite-reinforced Teflon®
Seal type	Carbon Teflon®



Order Code

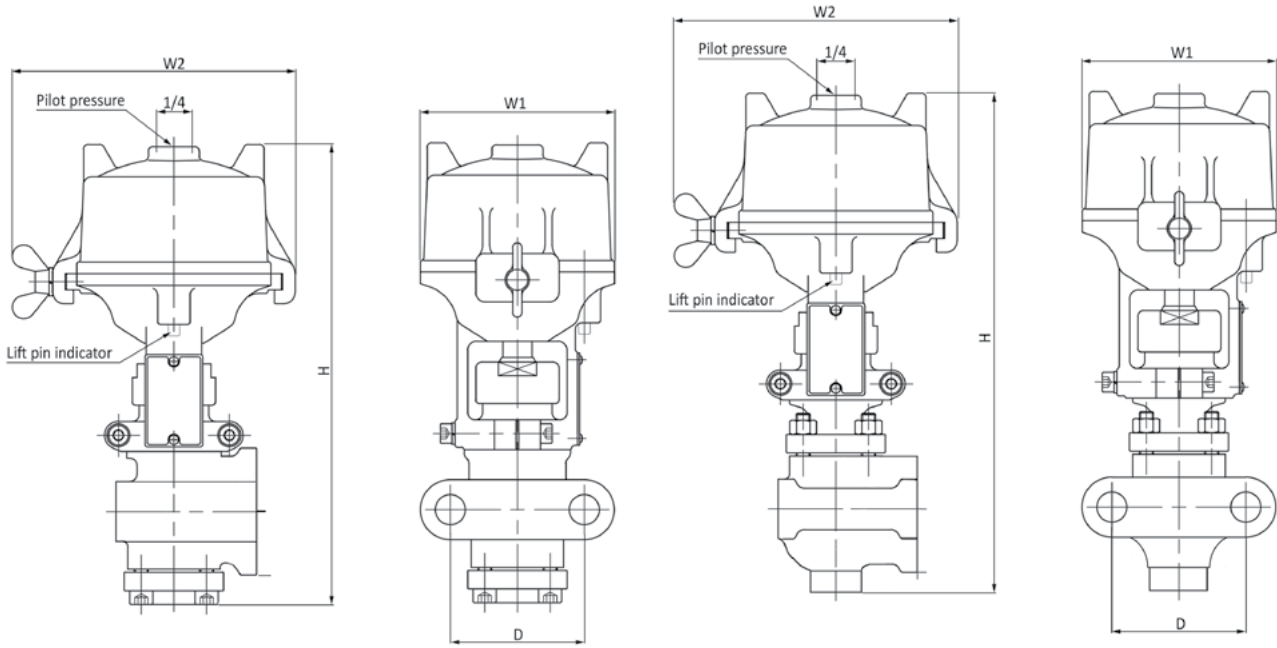


* Available on request. No stock item.

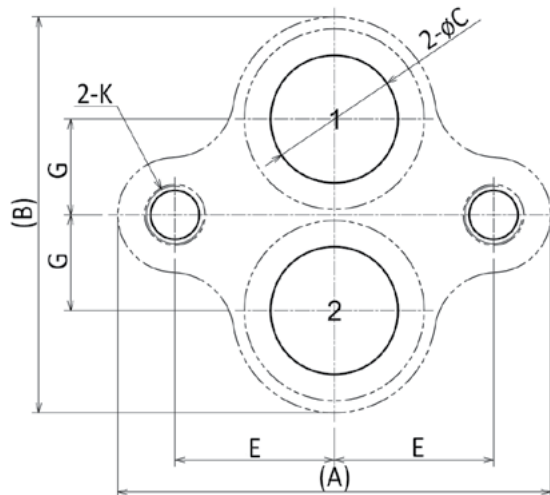
Dimensions (mm)

PPM-1214
normally closed

PPM-1224
normally open



Foot print dimension

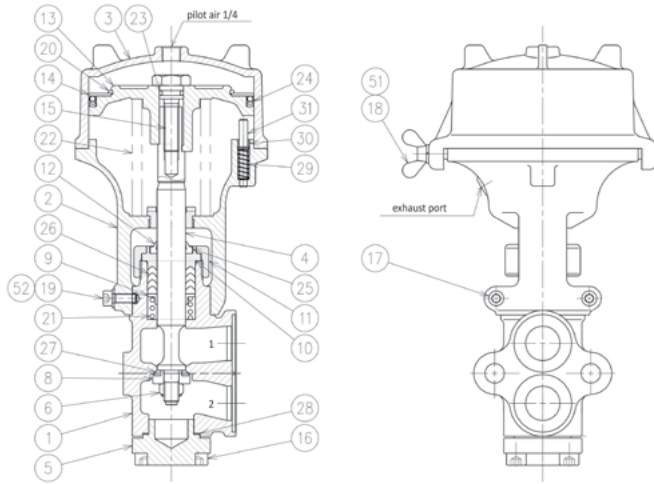


Model No.	DN	A	B	C	D	E	G	H	K	W1	W2	Weight (kg)
PPM-1214-15B	15	78	55	13	52	26	13	200	M12	122	84	2.8
PPM-1214-20B	20	86	73	19	58	29	17.5	237.5	M12	139	100	4.3
PPM-1214-25B	25	92	84	23	64	32	20	280.5	M12	169	128	6.8
PPM-1214-32B	32	122	106	32	90	45	25	323	M16	185	142	10.1
PPM-1214-40B	40	136	124	40	100	50	30	384	M18	211	170	15.8
PPM-1224-15B	15	78	55	13	52	26	13	221	M12	122	84	2.9
PPM-1224-20B	20	86	73	19	58	29	17.5	263.5	M12	139	100	4.6
PPM-1224-25B	25	92	84	23	64	32	20	309	M12	169	128	7.5
PPM-1224-32B	32	122	106	32	90	45	25	349	M16	185	142	11.1
PPM-1224-40B	40	136	124	40	100	50	30	417	M18	211	170	17.3

Spare parts

normally closed

normally open



No.	Name	Valve	PPM-1214-15B	PPM-1214-20B	PPM-1214-25B	PPM-1214-32B	PPM-1214-40B	PPM-1224-15B	PPM-1224-20B	PPM-1224-25B	PPM-1224-32B	PPM-1224-40B
1	Body		PP-11415 - 01	PP-11420 - 01	PP-11425 - 01	PP-11432 - 01	PP-11440 - 01	PP-12415 - 01	PP-12420 - 01	PP-12425 - 01	PP-12432 - 01	PP-12440 - 01
2	Yoke		PP-11415 - 02	PP-11420 - 02	PP-11425 - 02	PP-11432 - 02	PP-11440 - 02	PP-12415 - 02	PP-12420 - 02	PP-12425 - 02	PP-12432 - 02	PP-12440 - 02
3	Cylinder		PP-11415 - 03 *	PP-11420 - 03 *	PP-11425 - 03 *	PP-11432 - 03 *	PP-11440 - 03 *	PP-11415 - 03 *	PP-11420 - 03 *	PP-11425 - 03 *	PP-11432 - 03 *	PP-11440 - 03 *
4	Stem		PP-11415 - 04	PP-11420 - 04	PP-11425 - 04	PP-11432 - 04	PP-11440 - 04	PP-12415 - 04	PP-12420 - 04	PP-12425 - 04	PP-12432 - 04	PP-12440 - 04
5	Lower seat		PP-11415 - 05	PP-11420 - 05	PP-11425 - 05	PP-11432 - 05	PP-11440 - 05	PP-11415 - 05	PP-11420 - 05	PP-11425 - 05	PP-11432 - 05	PP-11440 - 05
6	U-nut		C-21115 - 06	C-21120 - 06	C-21125 - 06	C-21132 - 06	C-21140 - 06	C-21115 - 06	C-21120 - 06	C-21125 - 06	C-21132 - 06	C-21140 - 06
8	Disc adapter		PP-11415 - 08	PP-11420 - 08	PP-11425 - 08	PP-11432 - 08	PP-11440 - 08	PP-11415 - 08	PP-11420 - 08	PP-11425 - 08	PP-11432 - 08	PP-11440 - 08
9	Ring washer		C-21115 - 09	C-21120 - 09	C-21125 - 09	C-21132 - 09	C-21140 - 09	C-21115 - 09	C-21120 - 09	C-21125 - 09	C-21132 - 09	C-21140 - 09
10	Gland		C-21115 - 10	C-21120 - 10	C-21125 - 10	C-21132 - 10	C-21140 - 10	C-21115 - 10	C-21120 - 10	C-21125 - 10	C-21132 - 10	C-21140 - 10
11	Gland nut		C-21115 - 11	C-21120 - 11	C-21125 - 11	C-21132 - 11	C-21140 - 11	C-21115 - 11	C-21120 - 11	C-21125 - 11	C-21132 - 11	C-21140 - 11
12	Guide bushing		C-21115 - 12	C-21120 - 12	C-21125 - 12	C-21132 - 12	C-21140 - 12	C-21115 - 12	C-21120 - 12	C-21125 - 12	C-21132 - 12	C-21140 - 12
13	Piston		PP-11415 - 13	PP-11420 - 13	PP-11425 - 13	PP-11432 - 13	PP-11440 - 13	PP-11415 - 13	PP-11420 - 13	PP-11425 - 13	PP-11432 - 13	PP-11440 - 13
14	Ring plate		PP-11415 - 14	PP-11420 - 14	PP-11425 - 14	PP-11432 - 14	PP-11440 - 14	PP-11415 - 14	PP-11420 - 14	PP-11425 - 14	PP-11432 - 14	PP-11440 - 14
15	Tension bolt		C-21115 - 15	C-21120 - 15	C-21125 - 15	C-21132 - 15	C-21140 - 15	C-21115 - 15	C-21120 - 15	C-21125 - 15	C-21132 - 15	C-21140 - 15
16	Socket cap screw		C-21115 - 16	C-21120 - 16	C-21125 - 16	C-21132 - 16	C-21140 - 16	C-21115 - 16	C-21120 - 16	C-21125 - 16	C-21132 - 16	C-21140 - 16
17	Socket cap screw		C-21115 - 17	C-21120 - 17	C-21125 - 17	C-21132 - 17	C-21140 - 17	C-21115 - 17	C-21120 - 17	C-21125 - 17	C-21132 - 17	C-21140 - 17
18	Wing bolt		C-21115 - 18	C-21120 - 18	C-21125 - 18	C-21132 - 18	C-21140 - 18	C-21115 - 18	C-21120 - 18	C-21125 - 18	C-21132 - 18	C-21140 - 18
19	Socket cap screw		C-21115 - 19	C-21120 - 19	C-21125 - 19	C-21132 - 19	C-21140 - 19	C-21115 - 19	C-21120 - 19	C-21125 - 19	C-21132 - 19	C-21140 - 19
20	Retaining ring		PP-11415 - 20	PP-11420 - 20	PP-11425 - 20	PP-11432 - 20	PP-11440 - 20	PP-11415 - 20	PP-11420 - 20	PP-11425 - 20	PP-11432 - 20	PP-11440 - 20
21	Packing spring		C-21115 - 21	C-21120 - 21	C-21125 - 21	C-21132 - 21	C-21140 - 21	C-21115 - 21	C-21120 - 21	C-21125 - 21	C-21132 - 21	C-21140 - 21
22	Piston Spring		C-21115 - 22	C-21120 - 22	C-21125 - 22	C-21132 - 22	C-21140 - 22	C-21115 - 22	C-21120 - 22	C-21125 - 22	C-21132 - 22	C-21140 - 22
23	O-ring		C-21115 - 23	C-21120 - 23	C-21125 - 23	C-21132 - 23	C-21140 - 23	C-21115 - 23	C-21120 - 23	C-21125 - 23	C-21132 - 23	C-21140 - 23
24	Piston ring		PP-11415 - 24	PP-11420 - 24	PP-11425 - 24	PP-11432 - 24	PP-11440 - 24	PP-11415 - 24	PP-11420 - 24	PP-11425 - 24	PP-11432 - 24	PP-11440 - 24
25	Dust seal		C-21115 - 25	C-21120 - 25	C-21125 - 25	C-21132 - 25	C-21140 - 25	C-21115 - 25	C-21120 - 25	C-21125 - 25	C-21132 - 25	C-21140 - 25
26	Gland packing		C-21115 - 27	C-21120 - 27	C-21125 - 27	C-21132 - 27	C-21140 - 27	C-21115 - 27	C-21120 - 27	C-21125 - 27	C-21132 - 27	C-21140 - 27
27	Disc ring (2x)		C-21115 - 28	C-21120 - 28	C-21125 - 28	C-21132 - 28	C-21140 - 28	C-21115 - 28	C-21120 - 28	C-21125 - 28	C-21132 - 28	C-21140 - 28
28	Lower seat gasket		PP-11415 - 28	PP-11420 - 28	PP-11425 - 28	PP-11432 - 28	PP-11440 - 28	PP-12415 - 28	PP-12420 - 28	PP-12425 - 28	PP-12432 - 28	PP-12440 - 28
29	Indicator spring		PP-11415 - 29	PP-11420 - 29	PP-11425 - 29	PP-11432 - 29	PP-11440 - 29	PP-11415 - 29	PP-11420 - 29	PP-11425 - 29	PP-11432 - 29	PP-11440 - 29
30	Dry bearing		PP-11415 - 30	PP-11420 - 30	PP-11425 - 30	PP-11432 - 30	PP-11440 - 30	PP-11415 - 30	PP-11420 - 30	PP-11425 - 30	PP-11432 - 30	PP-11440 - 30
31	Lift pin gauge		PP-11415 - 31	PP-11420 - 31	PP-11425 - 31	PP-11432 - 31	PP-11440 - 31	PP-11415 - 31	PP-11420 - 31	PP-11425 - 31	PP-11432 - 31	PP-11440 - 31
32	Bonnet		-	-	-	-	-	PP-12415 - 32	PP-12420 - 32	PP-12425 - 32	PP-12432 - 32	PP-12440 - 32
33	Stud bolt		-	-	-	-	-	PP-12415 - 33	PP-12420 - 33	PP-12425 - 33	PP-12432 - 33	PP-12440 - 33
34	Nut		-	-	-	-	-	PP-12415 - 34	PP-12420 - 34	PP-12425 - 34	PP-12432 - 34	PP-12440 - 34
51	Spring lock washer		C-21115 - 51	C-21120 - 51	C-21125 - 51	C-21132 - 51	C-21140 - 51	C-21115 - 51	C-21120 - 51	C-21125 - 51	C-21132 - 51	C-21140 - 51
52	Spring lock washer		C-21115 - 51	C-21120 - 51	C-21125 - 51	C-21132 - 51	C-21140 - 51	C-21115 - 51	C-21120 - 51	C-21125 - 51	C-21132 - 51	C-21140 - 51

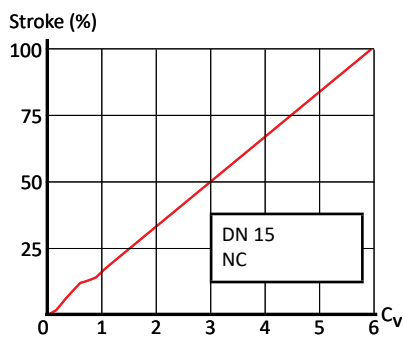
* please complete: B = BSPT thread. N = NPT thread. P = PT thread

These valves are designed for control the flow of steam, nitrogen and air. They guarantee highly accurate process control. The spring loaded gland packings are self-adjusting. The spare parts are available as repair kit. Please see chapter spare parts.

Operating pressure	max. 17 bar (246 psi)
Pilot pressure	0.2 – 1.0 bar (2.9-14.5 psi)
Nominal pressure	PN 40
Temperature range	max + 210°C (+ 410°F)
Medium	Steam, Nitrogen, Air
Body material	Stainless steel casting
Stem and seat material	Stainless steel
Packing material	Graphite-reinforced Teflon®
Seal type	Metallic seal



Regulating characteristic



Order Code

PDC-1214-15*- *

Series

Version

2 2/2-way

Function

1 Normally closed (NC)

Connections

4 Panel version

Cv-value

Cv = 6

3* Cv = 3

1* Cv = 1

Pilot port thread

B BSPT thread

N* NPT thread

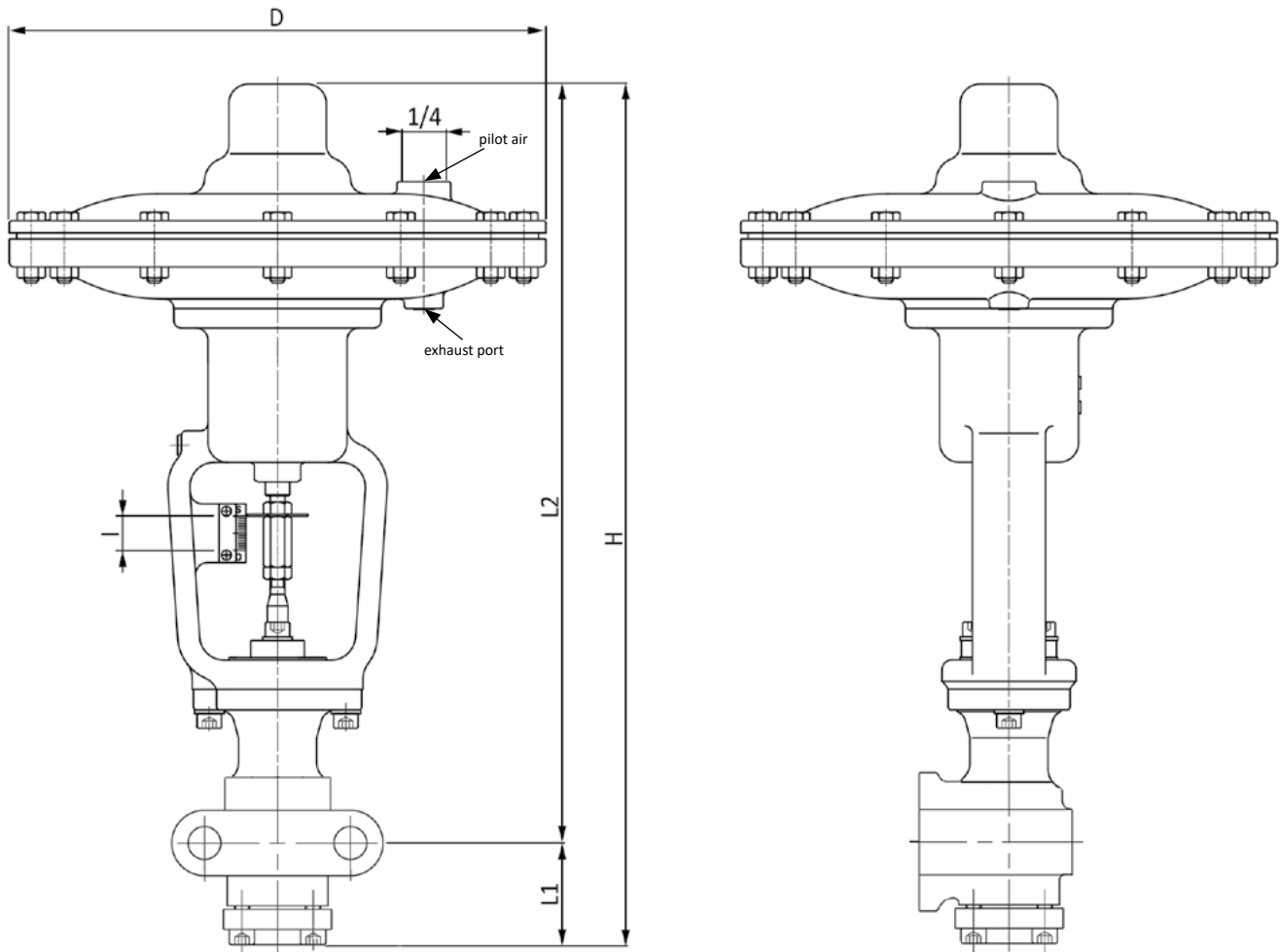
P* PT thread

Nominal size / thread

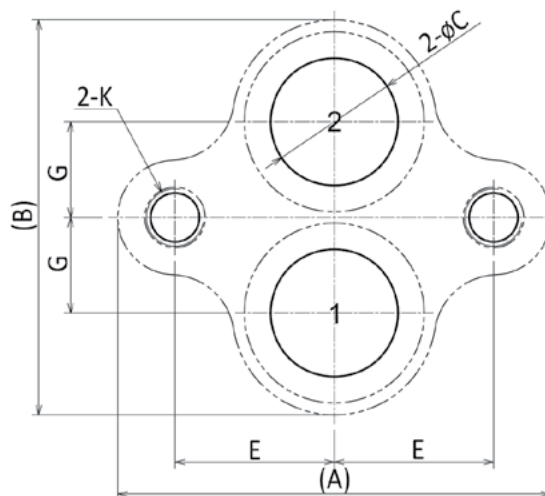
15 15 mm

* Available on request. No stock item.

Dimensions (mm)



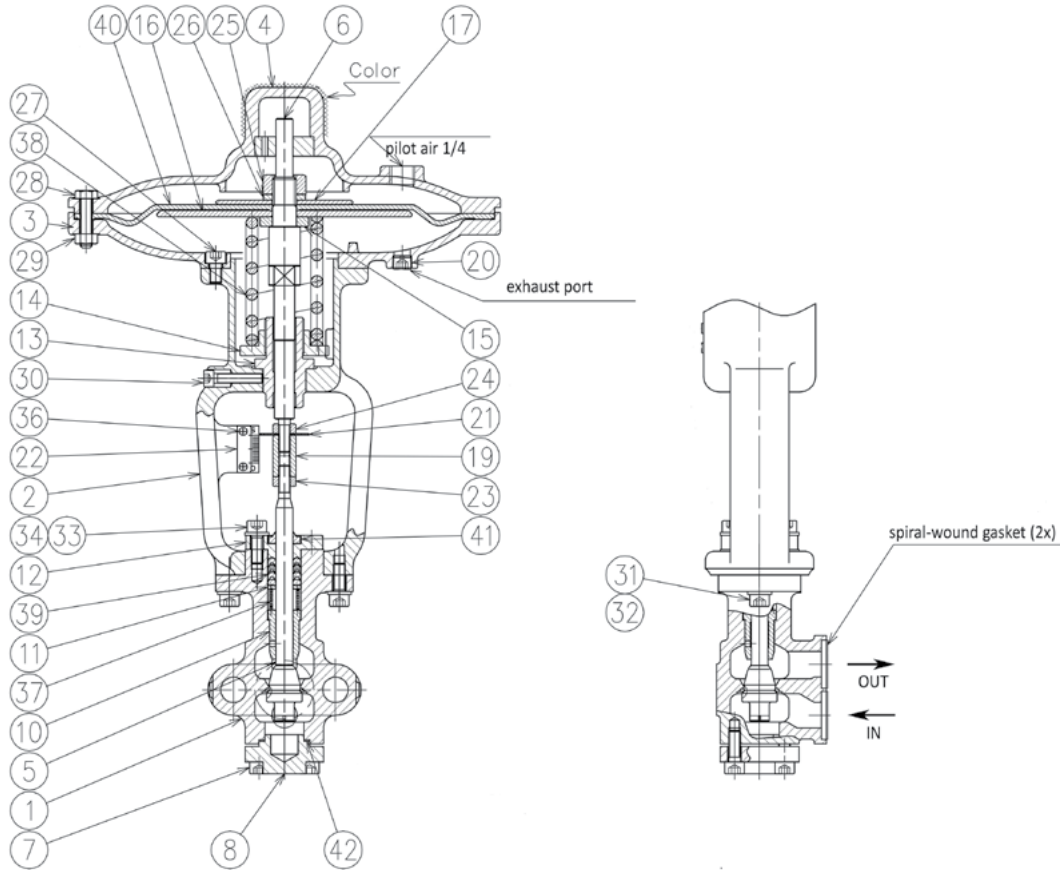
Foot print dimension



8

Model No.	DN	A	B	C	D	E	G	K	H	L1	L2	I = Stroke	Weight (kg)
PDC-1214-15B	15	78	55	13	220	26	13	M12	349.3	42.8	306.5	14	7.2

Spare parts



No.	Name	Valve	PDC-1214-15B*
1	Body		PC-21115-01
2	Yoke		D-21115-02
3	Lower cover		D-21115-03
4	Upper cover		D-21115-04*
5	Stem		D-21115-05
6	Diaphragm rod		D-21115-06
7	Socket cap screw		PC-21115-07
8	Cover flangew		PC-21115-08
10	Rod guide		D-21115-10
11	Packing washer		D-21115-11
12	Gland		D-21115-12
13	Adjust rod guide		D-21115-13
14	Spring seat		D-21115-14
15	Washer		D-21115-15
16	Diaphragm lower seat		D-21115-16
17	Diaphragm upper seat		D-21115-17
19	Join nut		D-21115-19
20	Orifice plug		D-21115-20
21	Lift gauge ring		D-21115-21
22	Lift gauge plate		D-21115-22

No.	Name	Valve	PDC-1214-15B*
23	Set nut (left)		D-21115-23
24	Set nut (right)		D-21115-24
25	Nut		D-21115-25
26	Spring lock washer		D-21115-2
27	Socket cap screw (6)		D-21115-27
28	Spring lock washer (12)		D-21115-28
29	Nut (12)		D-21115-29
30	Socket cap screw		D-21115-30
31	Socket cap screw (2)		D-21115-31
32	Spring lock washer (2)		D-21115-32
33	Socket cap screw (2)		D-21115-33
34	Spring lock washer (2)		D-21115-34
36	Driving screw (2)		D-21115-36
37	Packing spring		D-21115-37
38	Spring		D-21115-38
39	Gland packing		D-21115-39
40	Diaphragm		D-21115-40
41	Dust seal		D-21115-41
42	Gasket		PC-21115-42

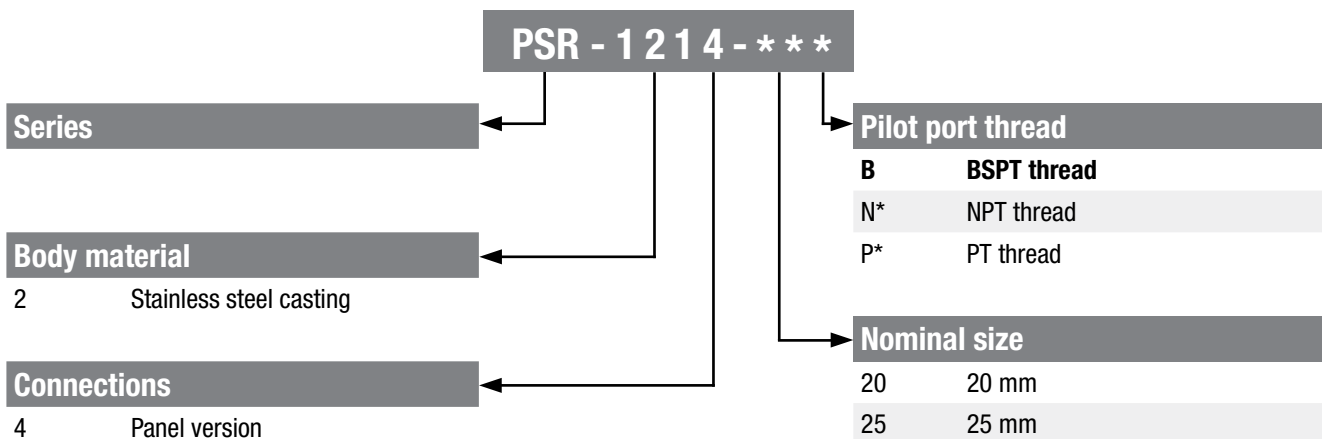
* please complete: B = BSPT thread. N = NPT thread

These valves are designed for control the flow of steam, nitrogen and air. They guarantee highly accurate process control. The output pressure can be varied by means of remote setting (pressure reduction of the pilot control air).



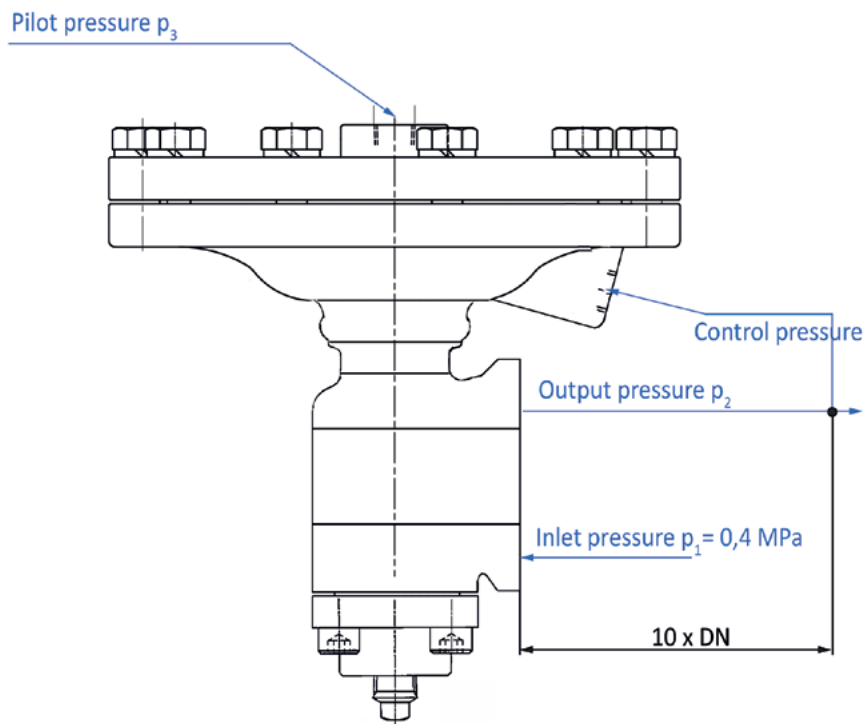
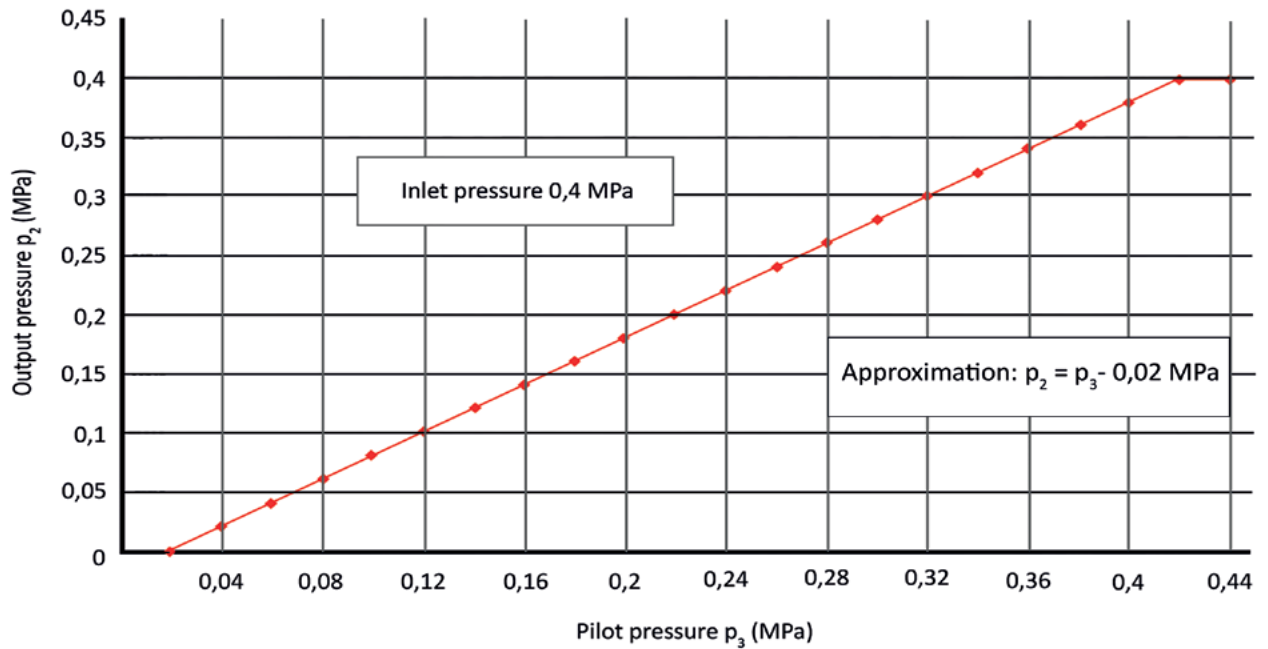
Operating pressure	max. 13 bar (188 psi)
Nominal pressure	PN 40
Leckagerate Leakage rate	ANSI/ FCI 70-2 Class VI
C _v -Wert C _v value	DN 20 2.4 DN 25 3.0
Temperature range	max + 205°C (+ 401°F)
Medium	Steam, Nitrogen, Air
Body material	Stainless steel casting
Stem and seat material	Stainless steel
Packing material	Graphite-reinforced Teflon®
Seal type	Graphite-reinforced Teflon®

Order Code

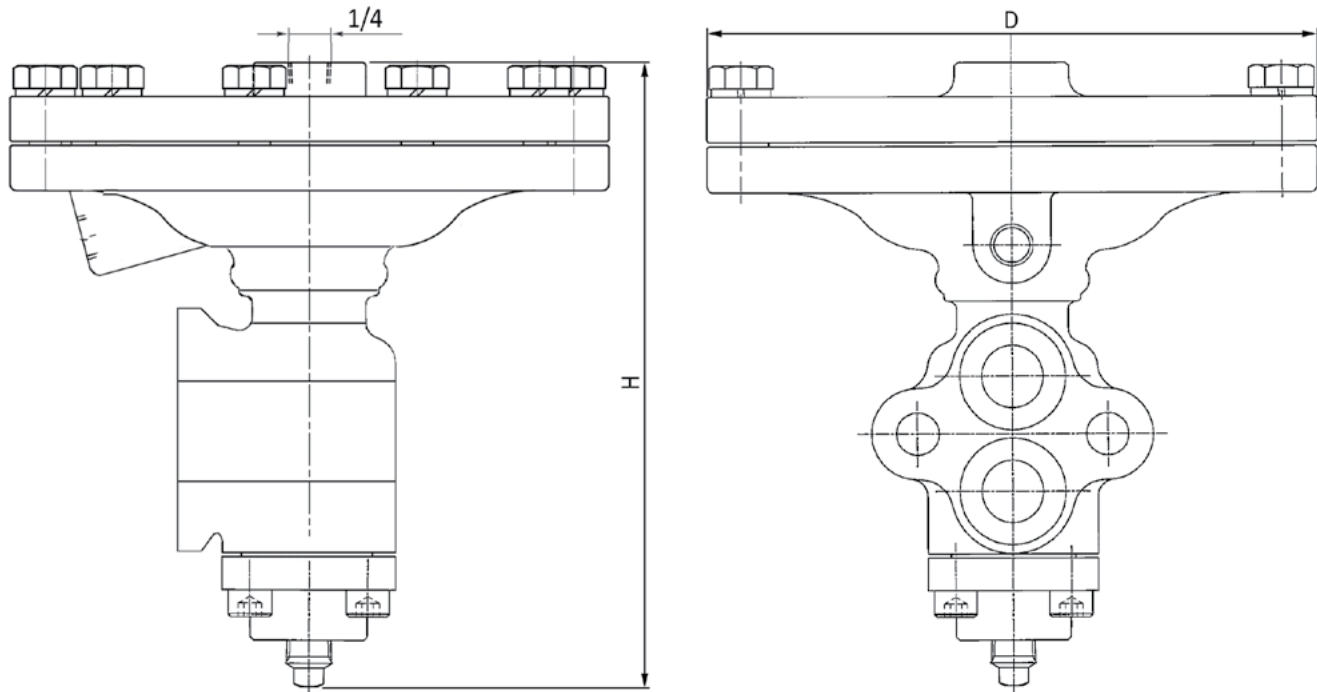


* Available on request. No stock item.

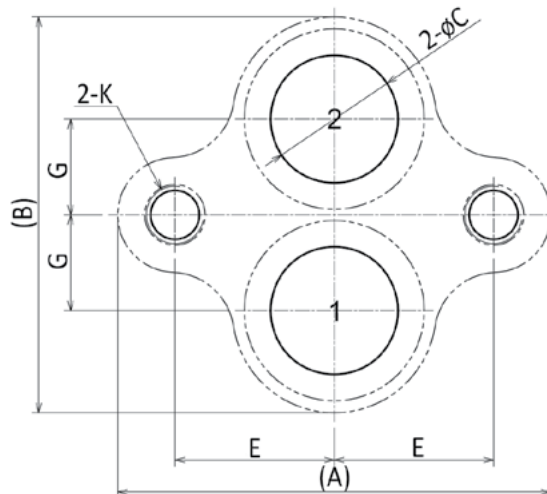
Ratio between pilot pressure and output pressure



Dimensions (mm)



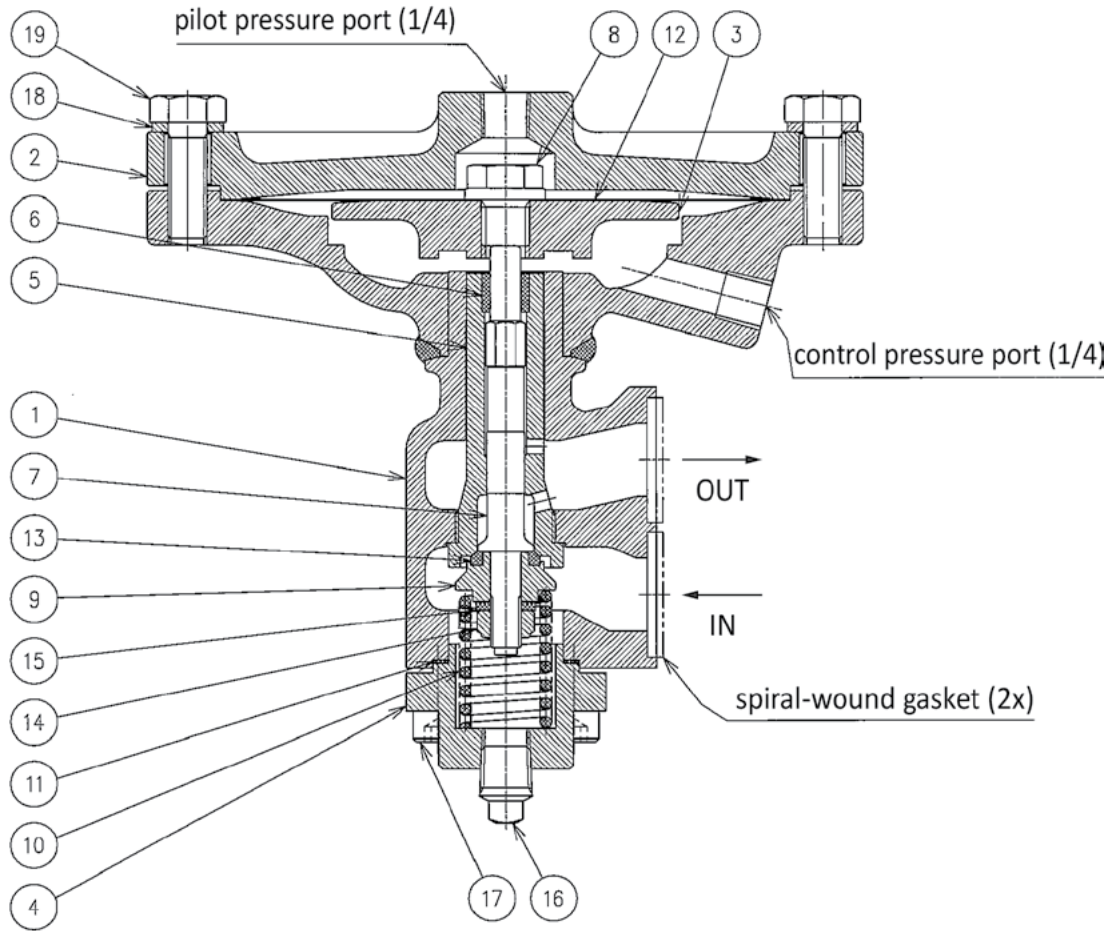
Foot print dimension



Model No.	DN	A	B	C	D	E	G	K	H	Weight (kg)
PSR-1214-20*	20	86	73	19	186	29	17.5	M12	190	7.6
PSR-1214-25*	25	92	84	23	228	32	20	M12	219	11.8

*Pilot port thread BSPT (Rc) according to ISO 7-1 DIN EN 10226/1. Valves with NPT or PT thread are available on request (The dimensions are identical to the standard BSPT version). For the order number please see the ordering number code on page 55.

Spare parts



No.	Name	Valve	PSR-1214-20*	PSR-1214-25*
1	Body		PR-21120-01	PR-21125-01
2	Cover		R-21120-02*	R-21125-02*
3	Diaphragm plate		R-21120-03	R-21125-03
4	Bottom cover		PR-21120-04	PR-21125-04
5	Center seat		R-21120-05	R-21125-05
6	Guide bushing		R-21120-06	R-21125-06
7	Center rod		R-21120-07	R-21125-07
8	Screw		R-21120-08	R-21125-08
9	Disc adapter		R-21120-09	R-21125-09
10	Disc spring		R-21120-10	R-21125-10
11	Gasket		R-21120-11	R-21125-11
12	Diaphragm (2)		R-21120-12	R-21125-12
13	Disc ring		R-21120-13	R-21125-13
14	U-nut		R-21120-14	R-21125-14
15	Spring washer		R-21120-15	R-21125-15
16	Plug		R-21120-16	R-21125-16
17	Socket cap screw (4)		C-21120-16	C-21125-16
18	Spring washer (10)		R-21120-19	R-21125-19
19	Hex head screw (10)		R-21120-20	R-21125-20

* please complete: B = BSPT thread. N = NPT thread

Electrical valve feedback sensor series PF

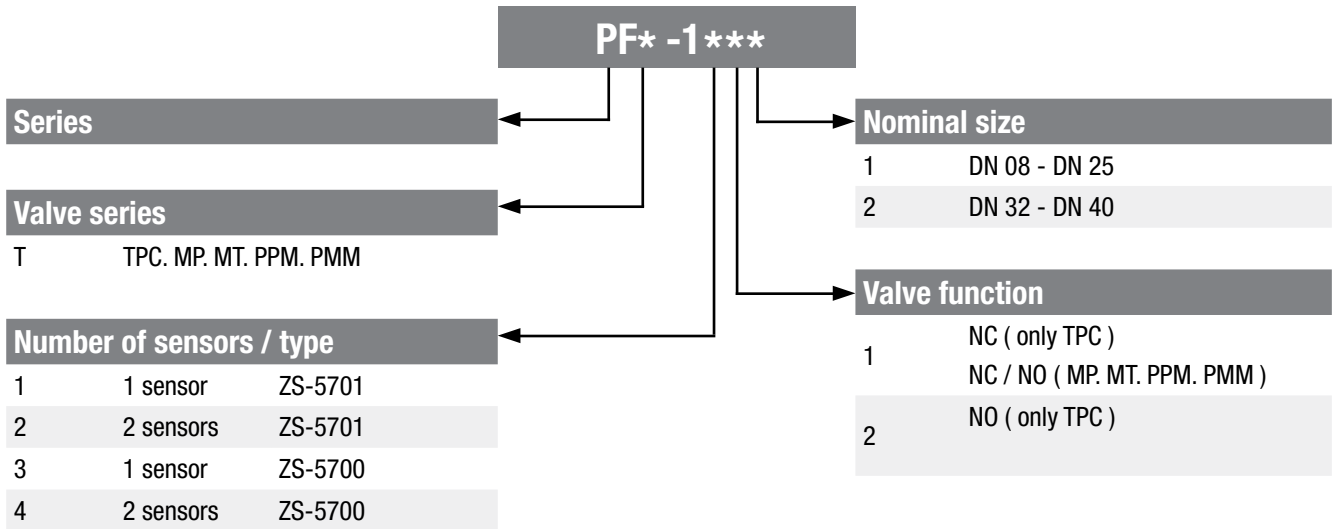
Valve position feedback for all types of ROCKY PISTON VALVES.

Sturdy and robust the cylinder contains contactless magnetic sensors and monitors the valve stem position.

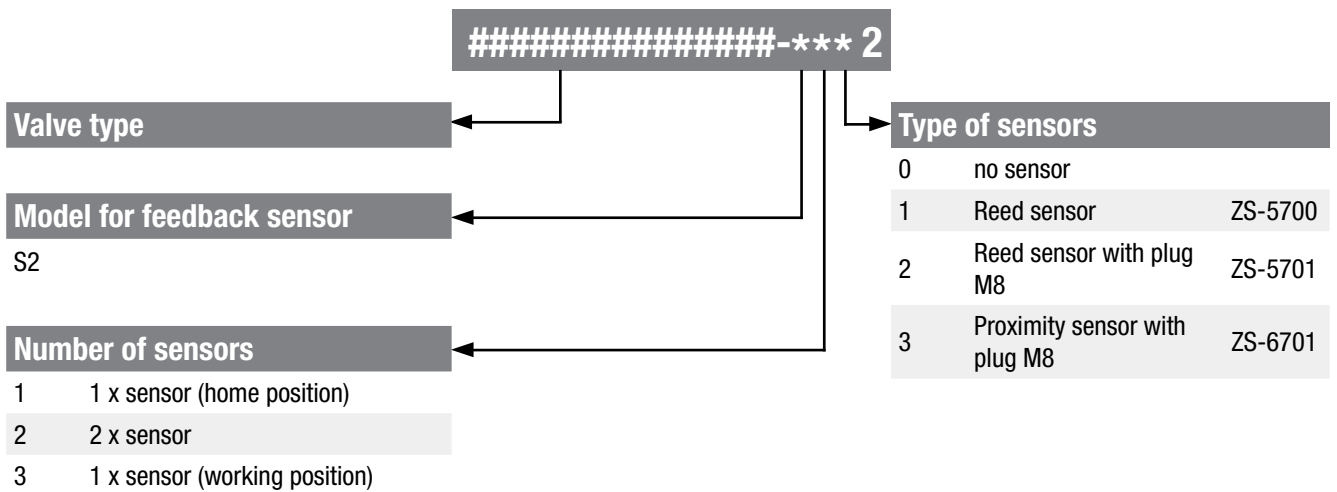
Top and bottom guided for smooth trouble free operation. Easy to retro fit to existing valves.



Order Code

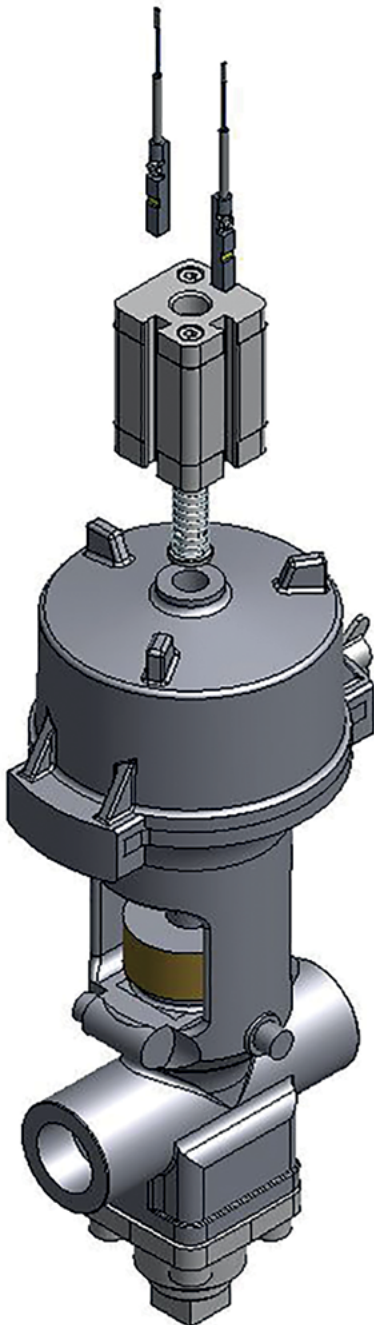


Order Code for valves with electrical valve feedback sensor

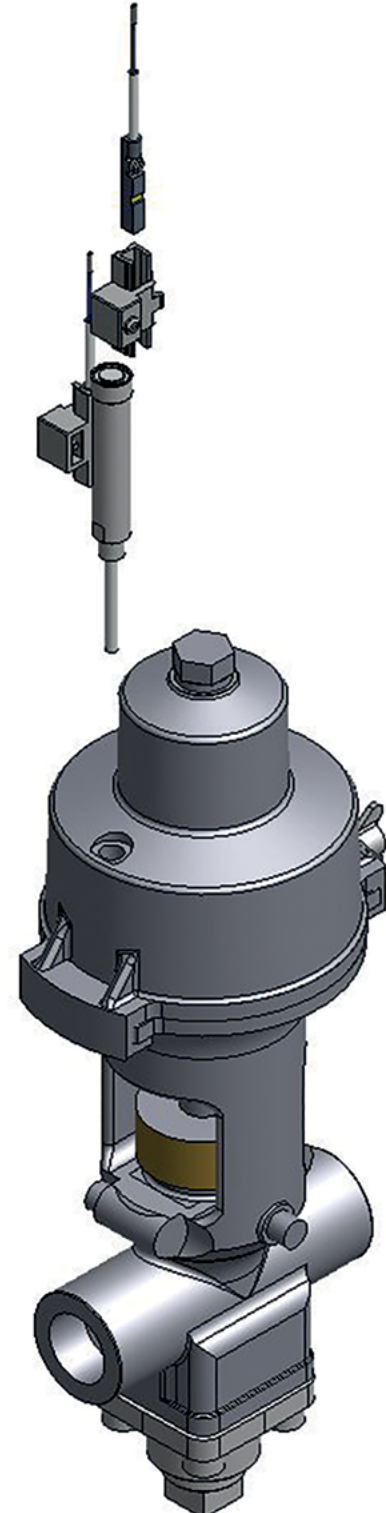


Installation

Valve function 1



Valve function 2



Spiral wound gasket series PP

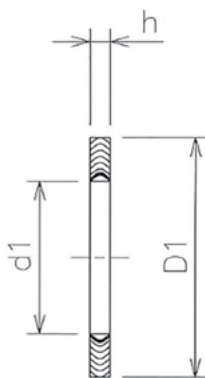
This gasket is made of spiral wound metal band 1.4541 with a filling material between the metal bands. The filling material is graphite.
Spiral-wound gaskets are used mainly in high-pressure environments and in critical operating conditions.



Technical data

Operating pressure	max. 160 bar (2320 psi)
Temperature range	- 200°C to + 230°C (- 328°F to + 1022°F)

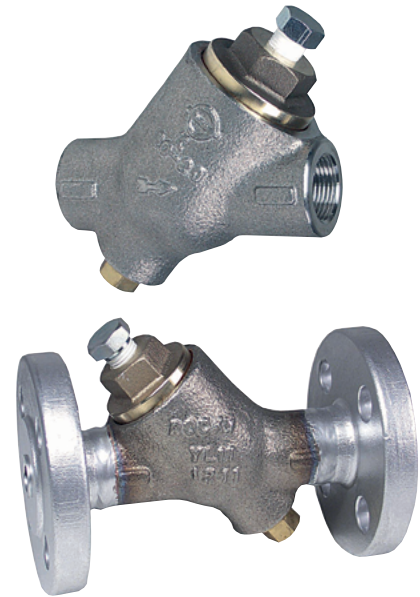
Dimensions (mm)



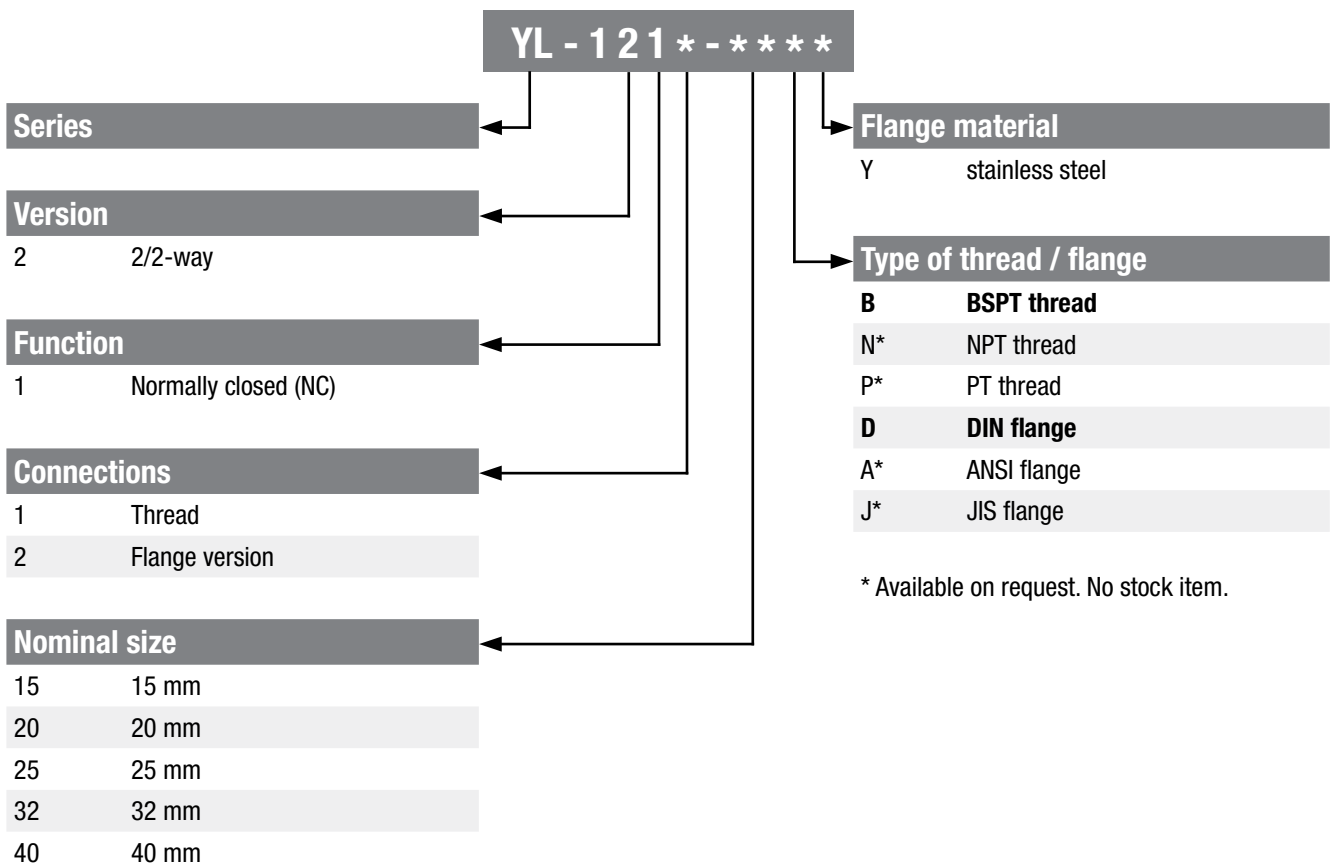
Model No.	DN	d1	D1	h
PP-15	15	15	25	3.2
PP-20	20	20	33	3.2
PP-25	25	25	39	3.2
PP-32	32	32	49	3.2
PP-40	40	40	57	3.2

These check valves provide accurate and perfect non return of fluid. The pressure drop is very small due to the full bore size.

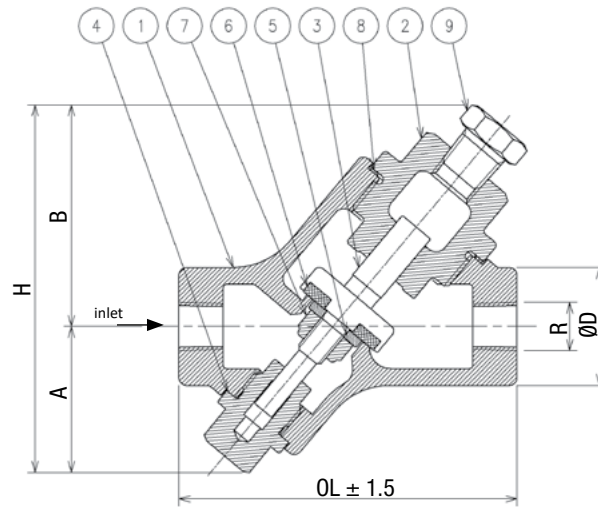
Operating pressure	max. 32 bar (460 psi) min. 0.1bar (1.45 psi)
Nominal pressure	PN 40
Temperature range	max + 215° C (+ 419°F)
Medium	Steam. Nitrogen. Air. Hot and cold water
Body material	Stainless steel casting
Mounting	horizontal



Order Code



Dimensions (mm)



YL valve. tapped. 2/2-way. NC

Model No.	DN	R	OL	A	B	H	D	Weight (kg)
YL-1211-15B*	15	1/2	92	39	60	99	32	0.9
YL-1211-20B*	20	3/4	111	46	68	114	38	1.5
YL-1211-25B*	25	1	132	49	73	122	44	2.1
YL-1211-32B*	32	1 1/4	145	56	82	138	55	2.8
YL-1211-40B*	40	1 1/2	152	60	90	150	62	3.5

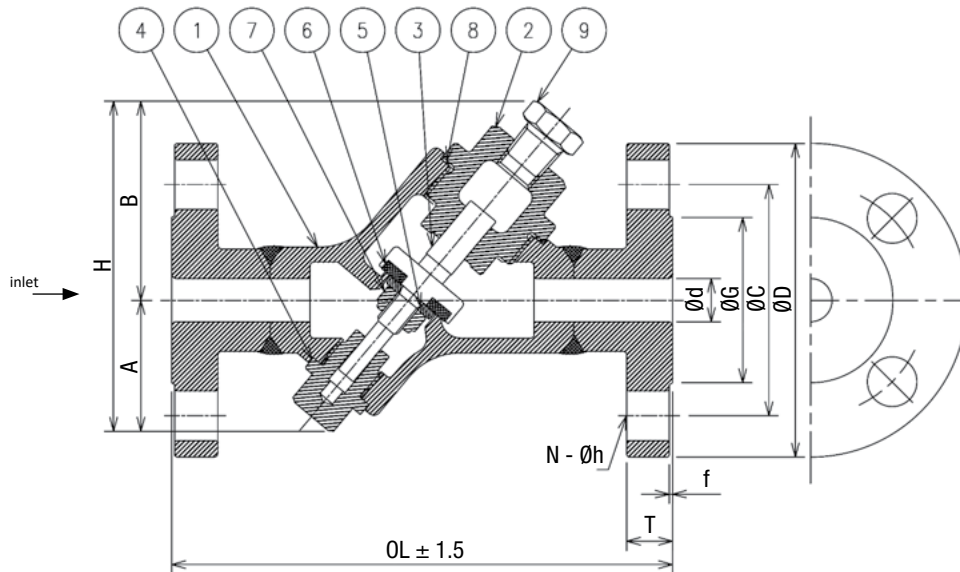
* Also available as version N with NPT thread or P with PT thread (on request. no stock item).

Spare parts

No.	Name	Valve	YL-1211-15*	YL-1211-20*	YL-1211-25*	YL-1211-32*	YL-1211-40*
1	Body		Y-21115 - 01 *	Y-21120 - 01 *	Y-21125 - 01 *	Y-21132 - 01 *	Y-21140 - 01 *
2	Guide cover		Y-21115 - 02	Y-21120 - 02	Y-21125 - 02	Y-21132 - 02	Y-21140 - 02
3	Stem		Y-21115 - 03	Y-21120 - 03	Y-21125 - 03	Y-21132 - 03	Y-21140 - 03
4	Guide plug		Y-21115 - 04	Y-21120 - 04	Y-21125 - 04	Y-21132 - 04	Y-21140 - 04
5	Guide washer		Y-21115 - 05	Y-21120 - 05	Y-21125 - 05	Y-21132 - 05	Y-21140 - 05
6	Gasket		Y-21115 - 06	Y-21120 - 06	Y-21125 - 06	Y-21132 - 06	Y-21140 - 06
7	U-nut		Y-21115 - 07	Y-21120 - 07	Y-21125 - 07	Y-21132 - 07	Y-21140 - 07
8	Gasket		Y-21115 - 08	Y-21120 - 08	Y-21125 - 08	Y-21132 - 08	Y-21140 - 08
9	Plug		Y-21115 - 09	Y-21120 - 09	Y-21125 - 09	Y-21132 - 09	Y-21140 - 09

* please complete: B = BSPT thread. N = NPT thread. P = PT thread

Dimensions (mm)



YL valve. with flange. 2/2-way. NC

Model No.	DN	d	OL	A	B	H	Weight (kg)
YL-1212-15D*	15	13	137	38	54	92	2.4
YL-1212-20D*	20	19	177	44	65	109	3.4
YL-1212-25D*	25	25	195	49	69	118	5.0
YL-1212-32D*	32	32	218	56	79	135	6.6
YL-1212-40D*	40	40	243	60	90	150	7.7

* Also available as version A with ANSI flange or J with JIS flange (on request. no stock item).

Dimensions for DIN flange

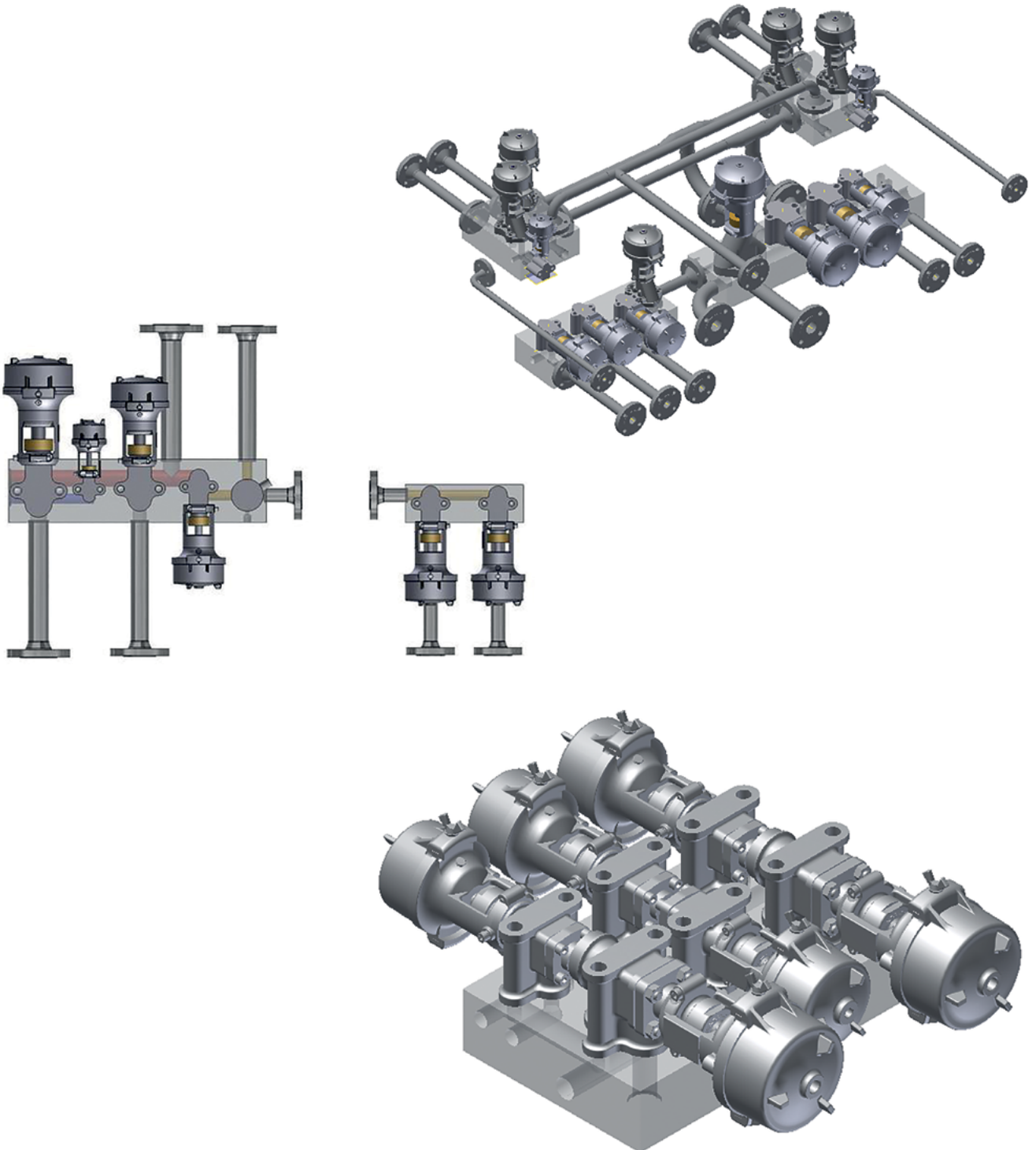
DN	D	C	G	T	f	N	h	Bolt
15	95	65	45	16	2	4	14	M12
20	105	75	58	18	2	4	14	M12
25	115	85	68	18	2	4	14	M12
32	140	100	78	18	2	4	16	M16
40	150	110	88	18	3	4	18	M16

Spare parts

No.	Name	Valve	YL-1211-15*	YL-1211-20*	YL-1211-25*	YL-1211-32*	YL-1211-40*
1	Body		Y-21115 - 01 *	Y-21120 - 01 *	Y-21125 - 01 *	Y-21132 - 01 *	Y-21140 - 01 *
2	Guide cover		Y-21115 - 02	Y-21120 - 02	Y-21125 - 02	Y-21132 - 02	Y-21140 - 02
3	Stem		Y-21115 - 03	Y-21120 - 03	Y-21125 - 03	Y-21132 - 03	Y-21140 - 03
4	Guide plug		Y-21115 - 04	Y-21120 - 04	Y-21125 - 04	Y-21132 - 04	Y-21140 - 04
5	Guide washer		Y-21115 - 05	Y-21120 - 05	Y-21125 - 05	Y-21132 - 05	Y-21140 - 05
6	Gasket		Y-21115 - 06	Y-21120 - 06	Y-21125 - 06	Y-21132 - 06	Y-21140 - 06
7	U-nut		Y-21115 - 07	Y-21120 - 07	Y-21125 - 07	Y-21132 - 07	Y-21140 - 07
8	Gasket		Y-21115 - 08	Y-21120 - 08	Y-21125 - 08	Y-21132 - 08	Y-21140 - 08
9	Plug		Y-21115 - 09	Y-21120 - 09	Y-21125 - 09	Y-21132 - 09	Y-21140 - 09

* bitte ergänzen: D = DIN-Flansch. A = ANSI-Flansch. J = JIS-Flansch / * please complete: D = DIN flange. A = ANSI flange. J = JIS flange

AIRTEC Controls GmbH has a well-established reputation for its innovative and reliable customized product solutions. Many of our customers are already using this mutually focused partnership to produce original products that drive forward their business.







AIRTEC Controls GmbH

Westerbachstraße 7

61476 Kronberg

Germany

Phone: +49 6173 95 62 0

Fax: +49 6173 95 62 77

info@airtec.de

airtec.de