

ISO 6431, ISO 15552, and Cnomo NFE-49001 Quick Selection Chart

How to Order Base Models: PXA032A02M0150BAC TM0075 11

Series

- PXA - Cnomo NFE-49001
- CXJ - ISO 6431 Tie Rod
- CXPJ - ISO 15552 Extruded Barrel Cylinder

PXA Series



Bore

- 025 - 25mm - 125mm
- 032 - 32mm - 160mm
- 040 - 40mm - 200mm
- 050 - 50mm
- 063 - 63mm
- 080 - 80mm
- 100 - 100mm

CXJ Series

Bores from 25mm to 200mm made in Easley, SC



Cushioning

- A - Adjustable Cushioning (Standard)

Range

- 0 - Single Rod
- 2 - Through Rod

Magnet

- 2 - Magnetic Piston Standard (Standard)

CXJP Series

Piston Rod Ends

- M - Male Standard (Standard)

Stroke

- 025 - 25mm
- 050 - 50mm
- 075 - 75mm
- 100 - 100mm
- 125 - 125mm



***strokes up to 2000mm are available and made in Easley, SC

Piston Rod Material

- B - Chromium Plated Steel Standard (Standard)

Tie Rod Material

- A - High Strength Steel (Standard)

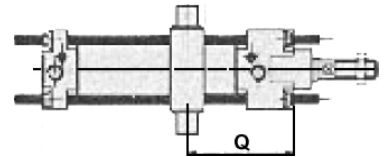
Body Material

- C - Anodized Aluminum (Standard)

Side Trunnion

- Blank - No Trunnion
- Cnomo TM*** - *** = "Q" Dimension (please specify)
- ISO TMA*** - *** = "XV" Dimension (please specify)

Cnomo Trunnion Q

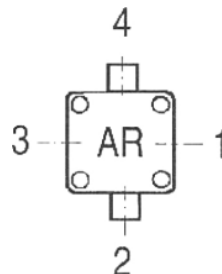


Port Position - Head

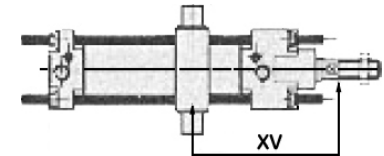
- 1 - Position 1 (Standard)
- 2 - Position 2
- 3 - Position 3
- 4 - Position 4

Port Position - Cap

- 1 - Position 1 (Standard)
- 2 - Position 2
- 3 - Position 3
- 4 - Position 4



ISO Trunnion XV



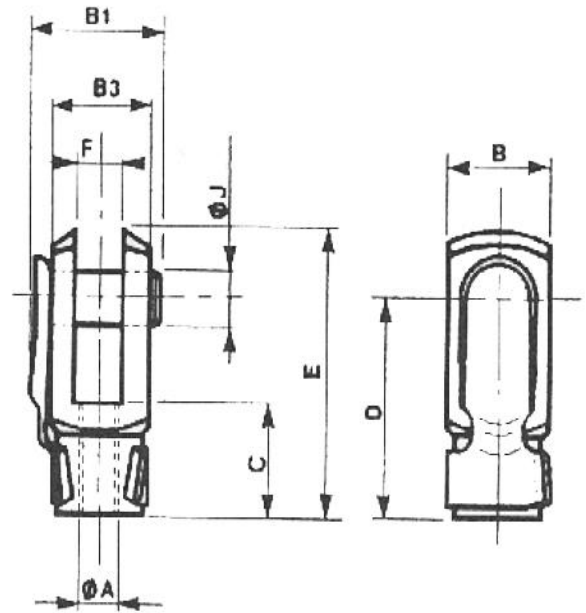
Integrated Automation, Inc., 144 Kay Drive, Easley, SC 29640

Phone: (800) 732-8704 Fax: (800)921-9983

Websites : www.iai.co www.panelcraftinc.com www.labelengraving.com

CNOMO NFE 49001 Accessories

Cnomo Rod Clevis Per NFE-49001 06-07-14



ømm	øA	B	B1	B3	C	D	E	F	J	Part Number
25	M10x1.5	22	28	22	20	36	45	11	8	FE10x150
32	M10x1.5	22	28	22	20	36	45	11	8	FE10x150
40	M16x1.5	26	44	36	26	51	64	18	12	FE16x150
50	M16x1.5	26	44	36	26	51	64	18	12	FE16x150
63	M20x1.5	34	53	45	30	63	80	22	16	FE20x150
80	M20x1.5	34	53	45	30	63	80	22	16	FE20x150
100	M27x2.0	42	73	63	45	85	105	30	20	FE27x200
125	M27x2.0	42	73	63	45	85	105	30	20	FE27x200
160	M36x2.0	50	95	80	75	115	140	40	25	FE36x200
200	M36x2.0	50	95	80	75	115	140	40	25	FE36x200

Integrated Automation, Inc. , 144 Kay Drive, Easley, SC 29640

Phone: (800) 732-8704 Fax: (800)921-9983

Websites : www.iai.co

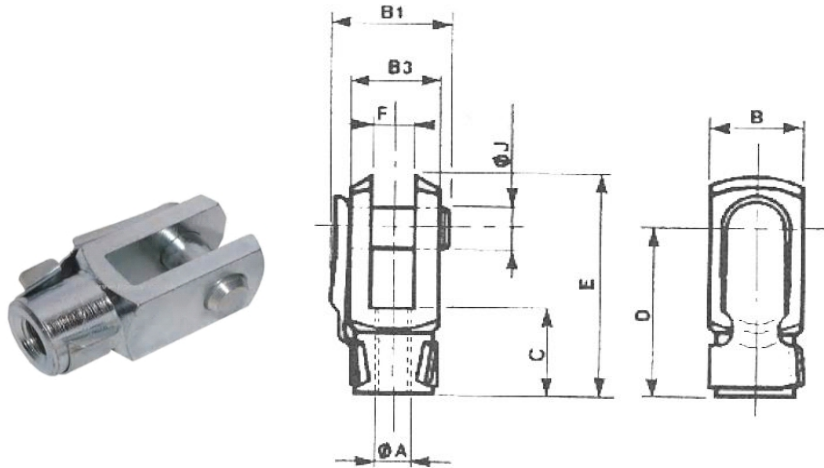
www.panelcraftinc.com

www.labelengraving.com

Cnomo NFE 49001 Cylinders

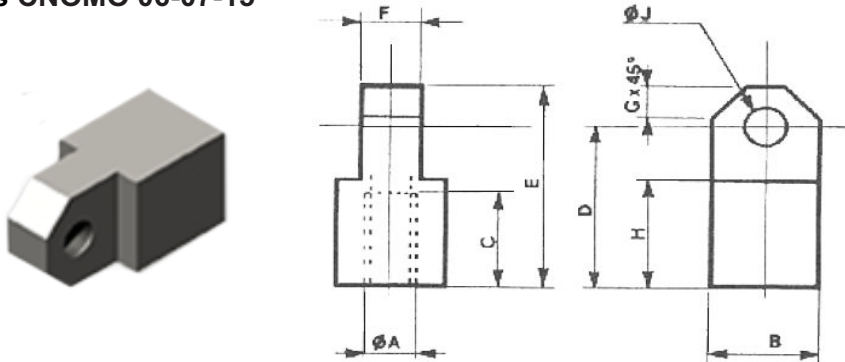
Mounting Accessories for Cnomo Cylinders

Female Rod Clevis CNOMO 06-07-14



ømm	øA	B	B1	B3	C	D	E	F	J	Part Number
32	M10x1.5	22	28	22	20	36	45	11	8	FE10x150
40	M16x1.5	26	44	36	26	51	64	18	12	FE16x150
50	M16x1.5	26	44	36	26	51	64	18	12	FE16x150
63	M20x1.5	34	53	45	30	63	80	22	16	FE20x150
80	M20x1.5	34	53	45	30	63	80	22	16	FE20x150
100	M27x2.0	42	73	63	45	85	105	30	20	FE27x200
125	M27x2.0	42	73	63	45	85	105	30	20	FE27x200
160	M36x2.0	50	95	80	75	115	140	40	25	FE36x200
200	M36x2.0	50	95	80	75	115	140	40	25	FE36x200

Male Rod Clevis CNOMO 06-07-15

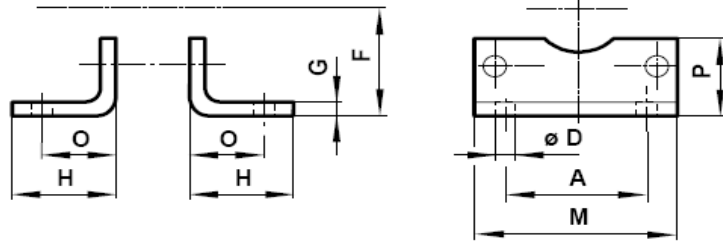


ømm	øA	B	C	D	E	F	G	H	J	Part Number
32	M10x1.5	22	20	36	45	11	6	25	8	MA10x150
40	M16x1.5	26	26	51	64	18	10	34	12	MA16x150
50	M16x1.5	26	26	51	64	18	10	34	12	MA16x150
63	M20x1.5	34	30	63	80	22	12	41	16	MA20x150
80	M20x1.5	34	30	63	80	22	12	41	16	MA20x150
100	M27x2.0	42	45	85	105	30	17.5	58	20	MA27x200
125	M27x2.0	42	45	85	105	30	17.5	58	20	MA27x200
160	M36x2.0	50	75	115	140	40	20	81	25	MA36x200
200	M36x2.0	50	75	115	140	40	20	81	25	MA36x200

Cnomo NFE 49001 Cylinders

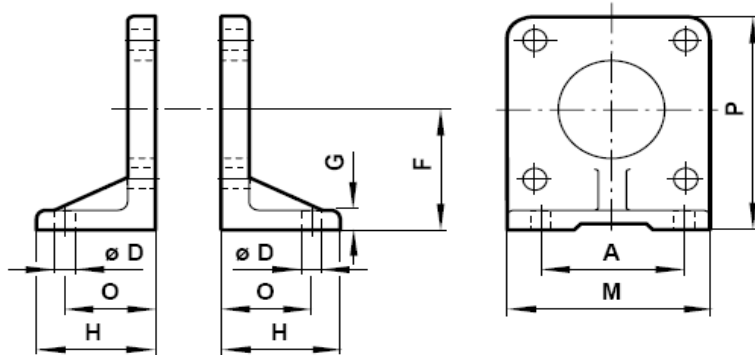
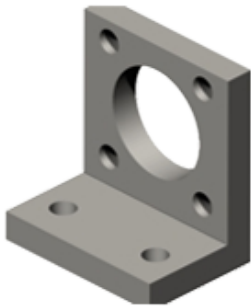
Mounting Accessories for Cnomo Cylinders

Foot - Low



ømm	A	øD	F	G	H	M	O	P	Part Number
32	28	9	32	4	37	45	27	29	EBN-032
40	36	9	36	4	37	52	27	32	EBN-040
50	45	11	45	6	45	65	35	36	EBN-050
63	55	11	50	6	45	75	35	37	EBN-063
80	70	14	63	8	57	95	43	46	EBN-080
100	90	14	73	8	58	115	43	52	EBN-100
125	100	18	91	8	71	140	52	67	EBN-125
160	130	22	115	10	83	180	62	74	EBN-160
200	170	22	135	10	83	220	62	78	EBN-200

Foot - High CNOMO 06-07-05

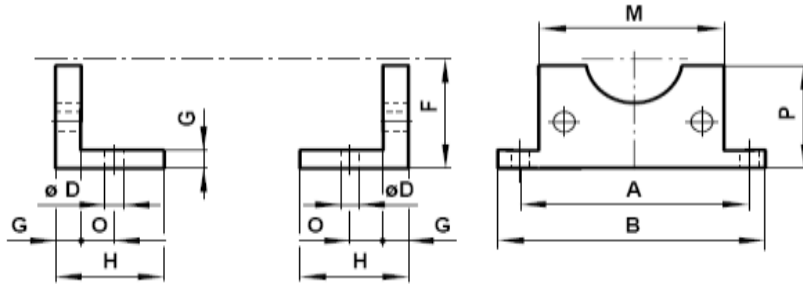


ømm	A	øD	F	G	H	M	O	P	Part Number
32	28	9	32	9	36	47	27	55.5	EN-032
40	36	9	36	9	36	52	27	62	EN-040
50	45	11	45	10	45	65	35	77	EN-050
63	55	11	50	10	45	75	35	87	EN-063
80	70	14	53	12	55	95	43	110	EN-080
100	90	14	73	12	55	115	43	130	EN-100
125	100	18	91	16	68	140	52	161	EN-125
160	130	22	115	20	80	180	62	205	EN-160
200	170	22	135	20	80	220	62	245	EN-200

Cnomo NFE 49001 Cylinders

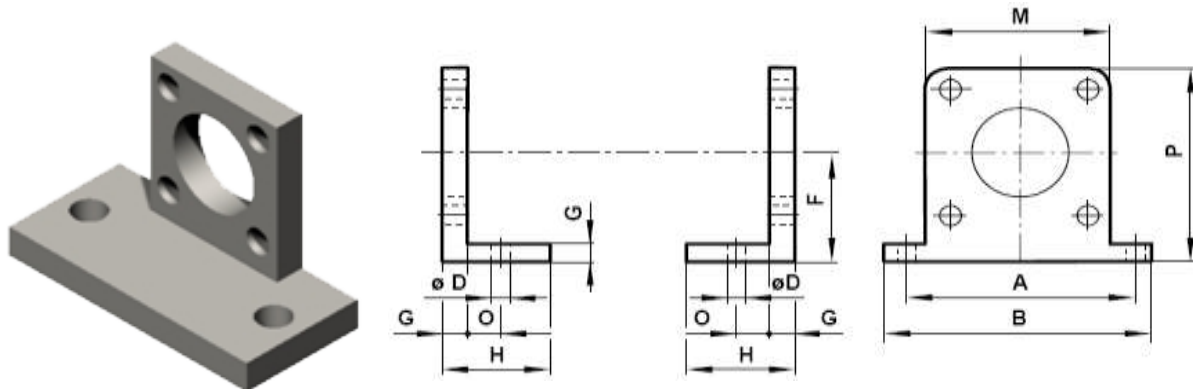
Mounting Accessories for Cnomo Cylinders

Wide Foot - Low



ømm	A	B	øD	F	G	H	M	O	P	Part Number
32	65	82	9	32	5	35	45	10	35	EBL-032
40	72	90	9	36	5	35	52	10	35	EBL-040
50	90	110	11	45	6	45	65	12	45	EBL-050
63	100	125	11	50	6	45	75	12	45	EBL-063
80	126	155	14	63	7	60	95	16	40	EBL-080
100	148	180	14	73	7	60	115	16	40	EBL-100
125	180	215	18	91	8	70	140	16	50	EBL-125
160	230	275	22	115	10	80	180	20	80	EBL-160
200	270	315	22	135	10	80	220	20	80	EBL-200

Wide Foot - High CNOMO 06-07-06

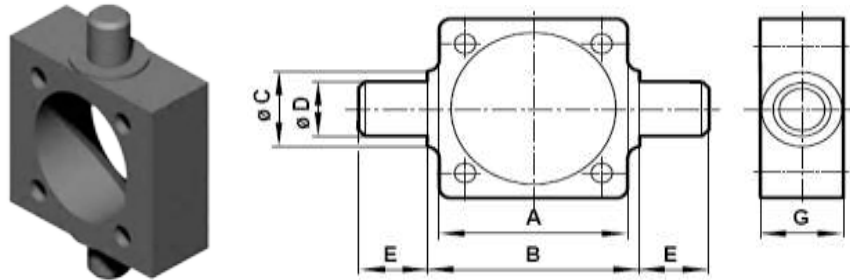


ømm	A	B	øD	F	G	H	M	O	P	Part Number
32	65	82	9	32	8	35	45	10	54	EL-032
40	72	90	9	36	8	35	52	10	62	EL-040
50	90	110	11	45	10	45	65	12	77	EL-050
63	100	120	11	50	10	45	75	12	87	EL-063
80	126	155	14	63	12	55	95	16	110	EL-080
100	148	180	14	73	12	55	115	16	130	EL-100
125	180	215	18	91	16	68	140	16	161	EL-125
160	230	275	22	115	20	80	180	20	205	EL-160
200	270	315	22	135	20	80	220	20	245	EL-200

Cnomo NFE 49001 Cylinders

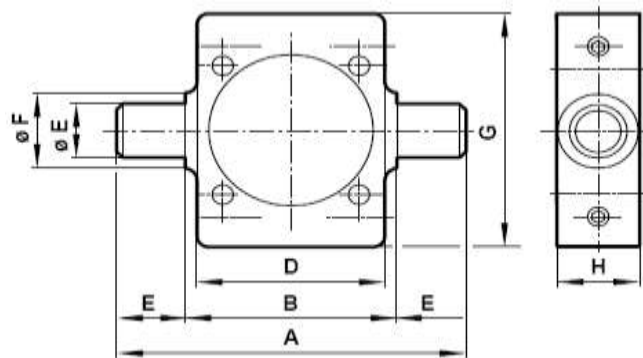
Mounting Accessories for Cnomo Cylinders

Trunnion CNOMO 06-07-12



ømm	A	B	C	D	E	G	Part Number
32	46	50	20	12	12	22	TM-032
40	58	63	25	16	16	30	TM-040
50	68	73	25	16	16	30	TM-050
63	84	90	30	20	20	35	TM-063
80	102	108	30	20	20	35	TM-080
100	124	121	36	25	25	40	TM-100
125	152	159	36	25	25	40	TM-125
160	190	198	45	32	32	50	TM-160
200	240	284	45	32	32	50	TM-200

Adjustable Trunnion TMA

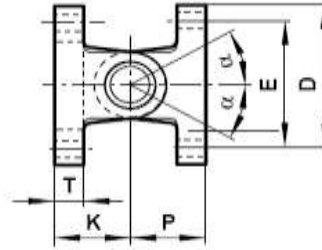
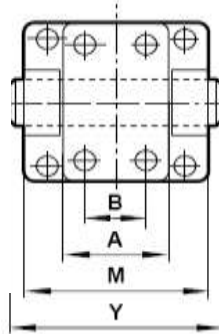
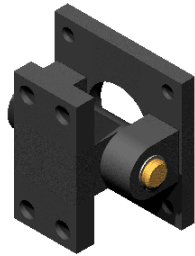


ømm	A	B	C	D	E	F	G	H	Part Number
32	74	50	12	46	12	20	60	22	TMA-032
40	95	63	16	68	16	25	68	30	TMA-040
50	105	73	16	68	16	25	82	30	TMA-050
63	130	90	20	84	20	30	95	35	TMA-063
80	148	108	20	102	20	30	115	35	TMA-080

Cnomo NFE 49001 Cylinders

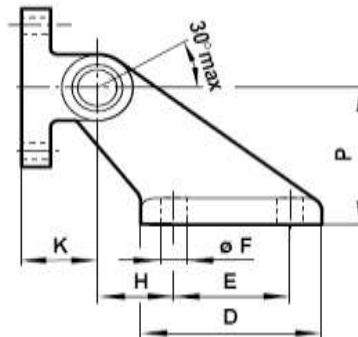
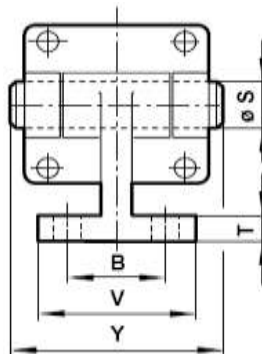
Mounting Accessories for Cnomo Cylinders

Rear Straight Hinge CNOMO 06-07-10



ømm	A	B	D	E	øF	K	M	P	øS	T	Y	A	Part Number
32	25		40	28	7	18	45	18	8	8	52	30°	AFM-032
40	32	16	52	38	9	24	52	26	12	10	60	25°	AFM-040
50	32	16	52	38	9	26	65	26	12	10	72.5	30°	AFM-050
63	46	25	75	54	11	30	75	34	16	12	84.4	30°	AFM-063
80	46	25	75	54	11	32	95	34	16	12	105	30°	AFM-080
100	56	32	115	90	14	37	115	41	20	16	125	30°	AFM-100
125	56	32	115	90	14	41	140	41	20	16	150	30°	AFM-125
160	71	43	180	150	18	55	180	55	25	20	190	30°	AFM-160
200	71	43	180	150	18	55	220	55	25	20	230	30°	AFM-200

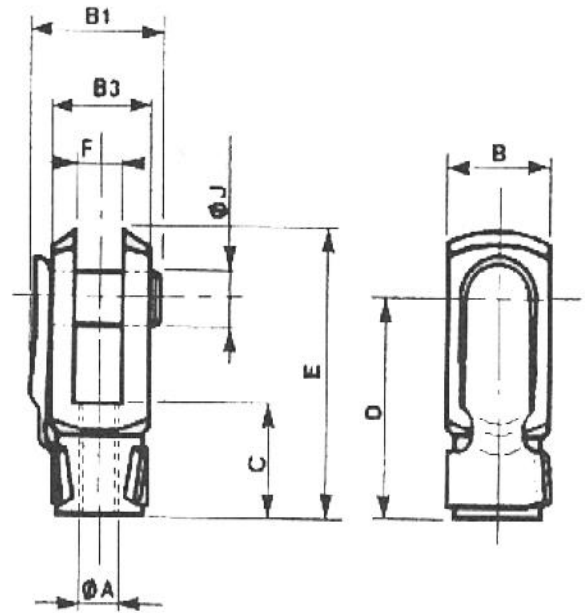
Rear Hinge CNOMO 06-07-11



ømm	B	D	E	F	H	K	P	S	T	V	Y	Part Number
32	25	37	20	7	18	18	32	8	8	41	52	AFME-032
40	32	54	32	9	25	24	45	12	10	52	60	AFME-040
50	32	54	32	9	25	26	45	12	10	52	72.5	AFME-050
63	40	75	50	11	32	30	63	16	12	63	54.5	AFME-063
80	40	75	50	11	32	32	63	16	12	63	105	AFME-080
100	50	103	70	14	40	37	90	20	16	80	125	AFME-100
125	50	103	70	14	40	41	90	20	16	80	150	AFME-125
160	63	154	110	18	50	55	140	25	20	103	190	AFME-160
200	63	154	110	18	50	55	140	25	20	103	230	AFME-200

ISO 15552 Accessories

DIN 71752 / ISO 8140 Rod Clevis



Bore	ØA	B(a1)	B1	B3(a2)	C(L3)	D(L2)	E(L1)	F(b2)	J(d1)	Part Number
8,10	M4	8		8	6	16	21	4	4	FE4
12,16	M6	12		12	9	24	31	6	6	FE6
20	M8	16		16	12	32	42	8	8	FE8
25,32	M10x1.25	22	26	22	20	40	52	10	10	FEC10x125
40	M12x1.25	26	32	36	26	48	62	12	12	FEC12X125
50,63	M16x1.5	26	40	36	26	64	83	16	16	FEC16x150
80,100	M20x1.5	34	48	45	30	80	105	20	20	FEC20x150
125	M27x2.0	42	73	63	45	85	105	30	20	FEC27x200
160,200	M36x2.0	50	95	80	75	115	140	40	25	FEC36x200

Integrated Automation, Inc. , 144 Kay Drive, Easley, SC 29640

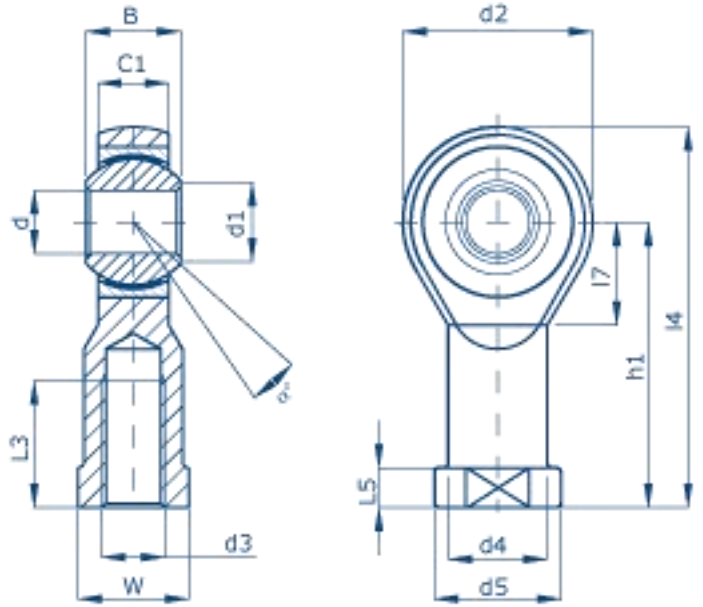
Phone: (800) 732-8704 Fax: (800)921-9983

Websites : www.iai.co

www.panelcraftinc.com

www.labelengraving.com

ISO 8139 AP2 Spherical Rod Eye



Bore	D3(KK)	B(EN)	D2	L7(LE)	L4	H1(CE)	W	D(CN)	Part Number
8,10	M4	8	18	10	36	27	9	5	FER4
12,16	M6	9	20	11	40	30	11	6	FER6
20	M8	12	24	13	48	36	14	8	FER8
25,32	M10x1.25	14	28	15	57	43	17	10	FER10x125
40	M12x1.25	16	32	17	66	50	19	12	FER12x125
50,63	M16x1.5	21	42	23	85	64	22	16	FER16x150
80,100	M20x1.5	25	50	27	102	77	30	20	FER20x150
125	M27x2.0	37	70	36	145	110	41	30	FER27x200
160,200	M36x2.0	43	80	41	165	125	50	35	FER36x200
250	M42x2.0	49	91	45	187	142	55	40	FER42x200
320	M48X2.00	60	117	58	218	162	65	50	FER48x200

Integrated Automation, Inc. , 144 Kay Drive, Easley, SC 29640

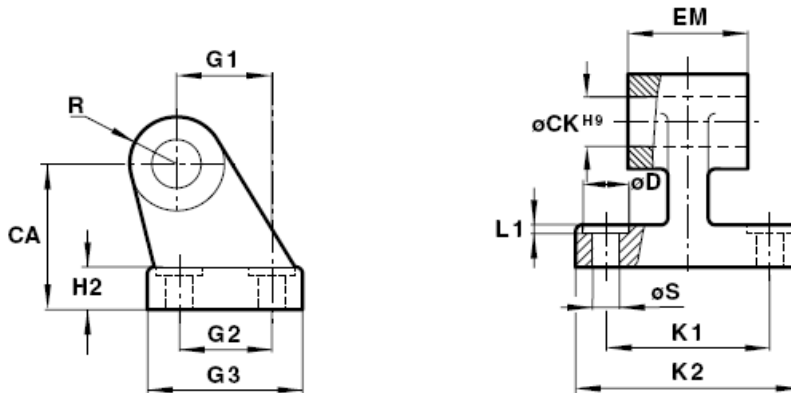
Phone: (800) 732-8704 Fax: (800)921-9983

Websites : www.iai.co

www.panelcraftinc.com

www.labelengraving.com

ISO 15552 MC4 Rear Pivot Mount



ømm	Model Number	CA	øCKH9	øD	EM	G1	G2	G3	H2	K1	K2	L1	R	øS
32	MC4-032	1.26 (32)	0.39 (10)	0.43 (11)	1.02 (26)	0.83 (21)	0.71 (18)	1.22 (31)	0.31 (8)	1.50 (38)	2.01 (51)	0.06 (1.6)	0.39 (10)	0.26 (6.6)
40	MC4-040	1.42 (36)	0.47 (12)	0.43 (11)	1.10 (28)	0.94 (24)	0.87 (22)	1.38 (35)	0.39 (10)	1.61 (41)	2.13 (54)	0.06 (1.6)	0.43 (11)	0.26 (6.6)
50	MC4-050	1.77 (45)	0.47 (12)	0.59 (15)	1.26 (32)	1.30 (33)	1.18 (30)	1.77 (45)	0.47 (12)	1.97 (50)	2.56 (65)	0.06 (1.6)	0.51 (13)	0.35 (9)
63	MC4-063	1.97 (50)	0.63 (16)	0.59 (15)	1.57 (40)	1.46 (37)	1.38 (35)	1.97 (50)	0.47 (12)	2.05 (52)	2.64 (67)	0.06 (1.6)	0.59 (15)	0.35 (9)
80	MC4-080	2.48 (63)	0.63 (16)	0.71 (18)	1.97 (50)	1.85 (47)	1.57 (40)	2.36 (60)	0.55 (14)	2.60 (66)	3.39 (86)	0.10 (2.5)	0.59 (15)	0.43 (11)
100	MC4-100	2.80 (71)	0.79 (20)	0.71 (18)	2.36 (60)	2.17 (55)	1.97 (50)	2.76 (70)	0.59 (15)	3.00 (76)	3.78 (96)	0.10 (2.5)	0.75 (19)	0.43 (11)
125	MC4-125	3.54 (90)	0.98 (25)	0.79 (20)	2.76 (70)	2.76 (70)	2.36 (60)	3.54 (90)	0.79 (20)	3.70 (94)	4.88 (124)	0.13 (3.2)	0.87 (22)	0.55 (14)
160	MC4-160	4.53 (115)	1.18 (30)	0.79 (20)	3.54 (90)	3.82 (97)	3.46 (88)	4.96 (126)	0.98 (25)	4.65 (118)	6.14 (156)	0.16 (4)	1.22 (31)	0.55 (14)
200	MC4-200	5.31 (135)	1.18 (30)	0.94 (24)	3.54 (90)	4.13 (105)	3.54 (90)	5.12 (130)	1.18 (30)	4.80 (122)	6.38 (162)	0.16 (4)	1.22 (31)	0.71 (18)
250	MC4-250	6.50 (165)	1.57 (40)	1.30 (33)	4.33 (110)	5.04 (128)	4.33 (110)	6.30 (160)	1.38 (35)	5.91 (150)	7.87 (200)	0.08 (2)	1.57 (40)	0.87 (22)
320	MC4-320	7.87 (200)	1.77 (45)	1.57 (40)	4.72 (120)	5.91 (150)	4.80 (122)	7.32 (186)	1.57 (40)	6.69 (170)	9.21 (234)	0.08 (2)	1.77 (45)	1.02 (26)

Integrated Automation, Inc. , 144 Kay Drive, Easley, SC 29640

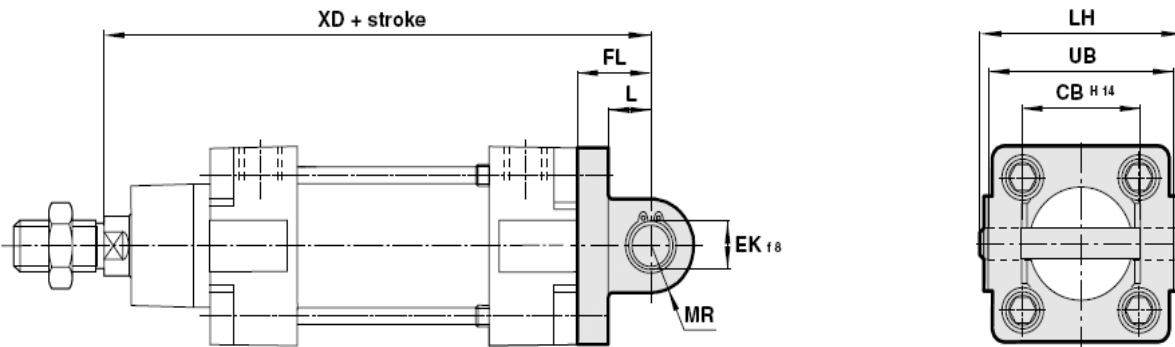
Phone: (800) 732-8704 Fax: (800)921-9983

Websites : www.iai.co

www.panelcraftinc.com

www.labelengraving.com

ISO 15552 MP2 Rear Clevis Mount



ømm	Model Number	CB	EK	FL	L	LH	MR	UB	XD
32	MP2-032	1.02 (26)	0.39 (10)	0.87 (22)	0.51 (13)	2.05 (52)	0.35 (9)	1.77 (45)	5.59 (142)
40	MP2-040	1.10 (28)	0.47 (12)	0.98 (25)	0.63 (16)	2.36 (60)	0.47 (12)	2.05 (52)	6.30 (160)
50	MP2-050	1.26 (32)	0.47 (12)	1.06 (27)	0.67 (17)	2.68 (68)	0.47 (12)	2.36 (60)	6.69 (170)
63	MP2-063	1.57 (40)	0.63 (16)	1.26 (32)	0.87 (22)	3.11 (79)	0.59 (15)	2.76 (70)	7.48 (190)
80	MP2-080	1.97 (50)	0.63 (16)	1.42 (36)	0.87 (22)	3.90 (99)	0.59 (15)	3.54 (90)	8.27 (210)
100	MP2-100	2.36 (60)	0.79 (20)	1.61 (41)	1.06 (27)	4.69 (119)	0.79 (20)	4.33 (110)	9.06 (230)
125	MP2-125	2.76 (70)	0.98 (25)	1.97 (50)	1.22 (31)	5.47 (139)	0.98 (25)	5.12 (130)	10.83 (275)
160	MP2-160	3.54 (90)	1.18 (30)	2.17 (55)	1.40 (35.5)	7.13 (181)	1.18 (30)	6.69 (170)	12.40 (315)
200	MP2-200	3.54 (90)	1.18 (30)	2.36 (60)	1.41 (36)	7.13 (181)	1.18 (30)	6.69 (170)	13.19 (335)
250	MP2-250	4.33 (110)	1.57 (40)	2.76 (70)	1.77 (45)	8.60 (218)	1.57 (40)	7.87 (200)	14.76 (375)
320	MP2-320	4.72 (120)	1.77 (45)	3.15 (80)	1.97 (50)	9.37 (238)	1.77 (45)	8.66 (220)	16.54 (420)

Integrated Automation, Inc. , 144 Kay Drive, Easley, SC 29640

Phone: (800) 732-8704 Fax: (800)921-9983

Websites : www.iai.co

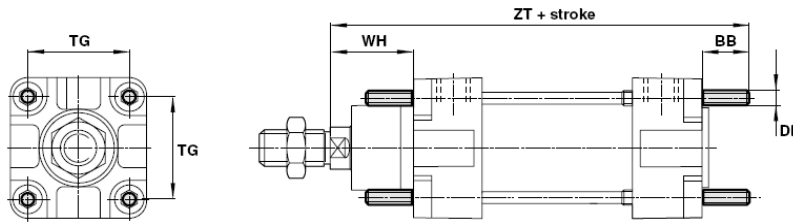
www.panelcraftinc.com

www.labelengraving.com

ISO 1552 Extruded Cylinders

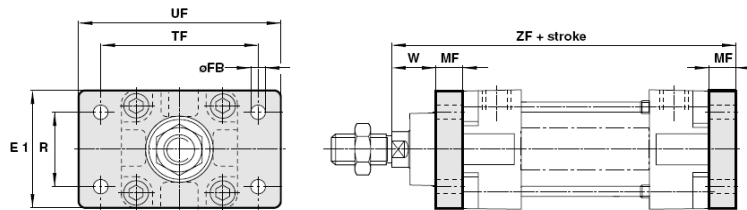
Mounting Accessories for Extruded Cylinders

Front or Rear Stud



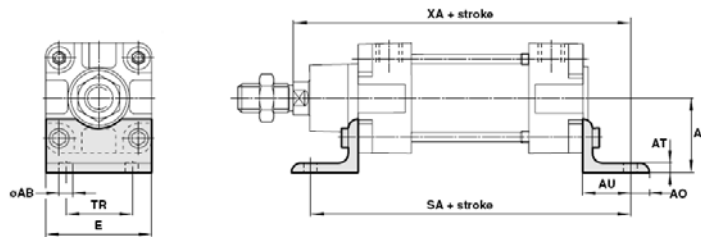
∅ mm	Part Number
32	MX1-032
40	MX1-040
50	MX1-050
63	MX1-063
80	MX1-080
100	MX1-100
125	MX1-125
160	MX1-160
200	MX1-200
250	MX1-250
320	MX1-320

Front or Rear Flange



∅ mm	Part Number
32	MF-032
40	MF-040
50	MF-050
63	MF-063
80	MF-080
100	MF-100
125	MF-125
160	MF-160
200	MF-200
250	MF-250
320	MF-320

Foot Mount



∅ mm	Part Number
32	MS1-032
40	MS1-040
50	MS1-050
63	MS1-063
80	MS1-080
100	MS1-100
125	MS1-125
160	MS1-160
200	MS1-200
250	MS1-250
320	MS1-320

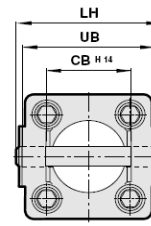
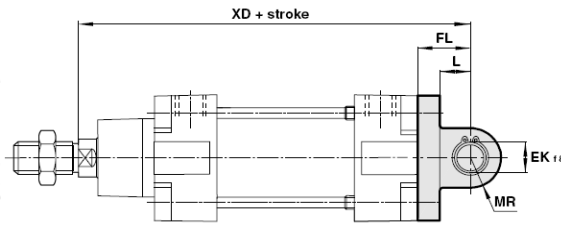
∅mm	∅AB	AH	AO	AT	AU	BB	DD	E	E1	∅FB	MF
32	0.28 (7)	1.26 (32)	0.31 (8)	0.16 (4)	0.94 (24)	0.67 (17)	M 6	1.89 (48)	1.97 (50)	0.28 (7)	0.39 (10)
40	0.35 (9)	1.42 (36)	0.35 (9)	0.16 (4)	1.10 (28)	0.67 (17)	M 6	2.09 (53)	2.17 (55)	0.35 (9)	0.39 (10)
50	0.35 (9)	1.77 (45)	0.39 (10)	0.20 (5)	1.26 (32)	0.91 (23)	M 8	2.52 (64)	2.56 (65)	0.35 (9)	0.47 (12)
63	0.35 (9)	1.97 (50)	0.47 (12)	0.20 (5)	1.26 (32)	0.91 (23)	M 8	2.91 (74)	2.95 (75)	0.35 (9)	0.47 (12)
80	0.47 (12)	2.48 (63)	0.75 (19)	0.20 (5)	1.61 (41)	1.10 (28)	M 10	3.86 (98)	3.94 (100)	0.47 (12)	0.63 (16)
100	0.55 (14)	2.80 (71)	0.75 (19)	0.20 (5)	1.61 (41)	1.10 (28)	M 10	4.53 (115)	4.72 (120)	0.55 (14)	0.63 (16)
125	0.63 (16)	3.54 (90)	0.79 (20)	0.35 (9)	1.77 (45)	1.34 (34)	M 12	5.51 (140)	5.51 (140)	0.63 (16)	0.79 (20)
160	0.71 (18)	4.53 (115)	0.79 (20)	0.31 (8)	2.36 (60)	1.65 (42)	M 16	7.09 (180)	7.09 (180)	0.71 (18)	0.79 (20)
200	0.87 (22)	5.31 (135)	1.18 (30)	0.35 (9)	2.76 (70)	1.65 (42)	M 16	8.66 (220)	8.66 (220)	0.87 (22)	0.98 (25)
250	1.02 (26)	6.50 (165)	1.38 (35)	0.39 (10)	2.95 (75)	1.97 (50)	M 20	11.02 (280)	11.02 (280)	1.02 (26)	0.98 (25)
320	1.30 (33)	7.87 (200)	1.77 (45)	0.63 (16)	3.35 (85)	2.36 (60)	M 24	13.78 (350)	13.78 (350)	1.30 (33)	1.18 (30)

∅mm	R	SA	TF	□TG	TR	UF	W	WH	XA	ZF	ZT
32	1.26 (32)	5.59 (142)	2.52 (64)	1.28 (32.5)	1.26 (32)	3.15 (80)	0.63 (16)	1.02 (26)	5.67 (144)	5.12 (130)	5.39 (137)
40	1.42 (36)	6.34 (161)	2.83 (72)	1.50 (38)	1.42 (36)	3.54 (90)	0.79 (20)	1.18 (30)	6.42 (163)	5.71 (145)	5.98 (152)
50	1.77 (45)	6.69 (170)	3.54 (90)	1.83 (46.5)	1.77 (45)	4.33 (110)	0.98 (25)	1.46 (37)	6.89 (175)	6.10 (155)	6.54 (166)
63	1.97 (50)	7.28 (185)	3.94 (100)	2.22 (56.5)	1.97 (50)	4.92 (125)	0.98 (25)	1.46 (37)	7.48 (190)	6.69 (170)	7.13 (181)
80	2.48 (63)	8.27 (210)	4.96 (126)	2.83 (72)	2.48 (63)	6.06 (154)	1.18 (30)	1.81 (46)	8.46 (215)	7.48 (190)	7.95 (202)
100	2.95 (75)	8.66 (220)	5.91 (150)	3.50 (89)	2.95 (75)	7.32 (186)	1.38 (35)	2.01 (51)	9.06 (230)	8.07 (205)	8.54 (217)
125	3.54 (90)	9.84 (250)	7.09 (180)	4.33 (110)	3.54 (90)	8.82 (224)	1.77 (45)	2.56 (65)	10.63 (270)	9.65 (245)	10.20 (259)
160	4.53 (115)	11.81 (300)	9.06 (230)	5.51 (140)	4.53 (115)	11.02 (280)	2.36 (60)	3.15 (80)	12.60 (320)	11.02 (280)	11.89 (302)
200	5.31 (135)	12.60 (320)	10.63 (270)	6.89 (175)	5.31 (135)	12.60 (320)	2.76 (70)	3.74 (95)	13.58 (345)	11.81 (300)	12.48 (317)
250	6.50 (165)	13.78 (350)	12.99 (330)	8.66 (220)	6.50 (165)	15.55 (395)	3.15 (80)	4.13 (105)	14.96 (380)	12.99 (330)	13.98 (355)
320	7.87 (200)	15.35 (390)	15.75 (400)	10.63 (270)	7.87 (200)	18.70 (475)	3.54 (90)	4.72 (120)	16.73 (425)	14.57 (370)	15.75 (400)

ISO 15552 Extruded Cylinders

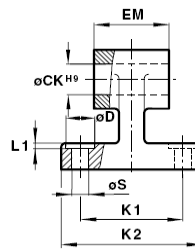
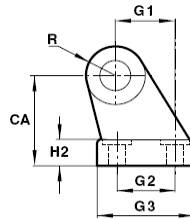
Mounting Accessories for Extruded Cylinders

Wide Rear Clevis



ø mm	Part Number
32	MP2-032
40	MP2-040
50	MP2-050
63	MP2-063
80	MP2-080
100	MP2-100
125	MP2-125
160	MP2-160
200	MP2-200
250	MP2-250
320	MP2-320

Wide Rear Hinge Bracket



ø mm	Part Number
32	MC4-032
40	MC4-040
50	MC4-050
63	MC4-063
80	MC4-080
100	MC4-100
125	MC4-125
160	MC4-160
200	MC4-200
250	MC4-250
320	MC4-320

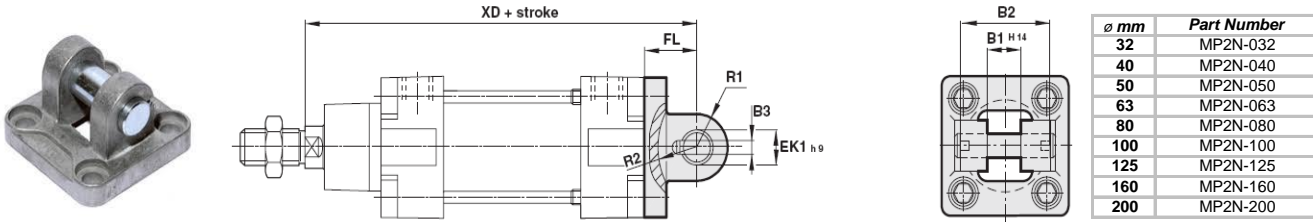
ømm	CA	CBH14	øCKH9	øD	EK18	EM	FL	G1	G2	G3	H2
32	1.26 (32)	1.02 (26)	0.39 (10)	0.43 (11)	0.39 (10)	1.02 (26)	0.87 (22)	0.83 (21)	0.71 (18)	1.22 (31)	0.31 (8)
40	1.42 (36)	1.10 (28)	0.47 (12)	0.43 (11)	0.47 (12)	1.10 (28)	0.98 (25)	0.94 (24)	0.87 (22)	1.38 (35)	0.39 (10)
50	1.77 (45)	1.26 (32)	0.47 (12)	0.59 (15)	0.47 (12)	1.26 (32)	1.06 (27)	1.30 (33)	1.18 (30)	1.77 (45)	0.47 (12)
63	1.97 (50)	1.57 (40)	0.63 (16)	0.59 (15)	0.63 (16)	1.57 (40)	1.26 (32)	1.46 (37)	1.38 (35)	1.97 (50)	0.47 (12)
80	2.48 (63)	1.97 (50)	0.63 (16)	0.71 (18)	0.63 (16)	1.97 (50)	1.42 (36)	1.85 (47)	1.57 (40)	2.36 (60)	0.55 (14)
100	2.80 (71)	2.36 (60)	0.79 (20)	0.71 (18)	0.79 (20)	2.36 (60)	1.61 (41)	2.17 (55)	1.97 (50)	2.76 (70)	0.59 (15)
125	3.54 (90)	2.76 (70)	0.98 (25)	0.79 (20)	0.98 (25)	2.76 (70)	1.97 (50)	2.76 (70)	2.36 (60)	3.54 (90)	0.79 (20)
160	4.53 (115)	3.54 (90)	1.18 (30)	0.79 (20)	1.18 (30)	3.54 (90)	2.17 (55)	3.82 (97)	3.46 (88)	4.96 (126)	0.98 (25)
200	5.31 (135)	3.54 (90)	1.18 (30)	0.94 (24)	1.18 (30)	3.54 (90)	2.36 (60)	4.13 (105)	3.54 (90)	5.12 (130)	1.18 (30)
250	6.50 (165)	4.33 (110)	1.57 (40)	1.30 (33)	1.57 (40)	4.33 (110)	2.76 (70)	5.04 (128)	4.33 (110)	6.30 (160)	1.38 (35)
320	7.87 (200)	4.72 (120)	1.77 (45)	1.57 (40)	1.77 (45)	4.72 (120)	3.15 (80)	5.91 (150)	4.80 (122)	7.32 (186)	1.57 (40)

ømm	K1	K2	L	L1	LH	MR	R	øS	UB	XD
32	1.50 (38)	2.01 (51)	0.51 (13)	0.06 (1.6)	2.05 (52)	0.35 (9)	0.39 (10)	0.26 (6.6)	1.77 (45)	5.59 (142)
40	1.61 (41)	2.13 (54)	0.63 (16)	0.06 (1.6)	2.36 (60)	0.47 (12)	0.43 (11)	0.26 (6.6)	2.05 (52)	6.30 (160)
50	1.97 (50)	2.56 (65)	0.67 (17)	0.06 (1.6)	2.68 (68)	0.47 (12)	0.51 (13)	0.35 (9)	2.36 (60)	6.69 (170)
63	2.05 (52)	2.64 (67)	0.87 (22)	0.06 (1.6)	3.11 (79)	0.59 (15)	0.59 (15)	0.35 (9)	2.76 (70)	7.48 (190)
80	2.60 (66)	3.39 (86)	0.87 (22)	0.10 (2.5)	3.90 (99)	0.59 (15)	0.59 (15)	0.43 (11)	3.54 (90)	8.27 (210)
100	3.00 (76)	3.78 (96)	1.06 (27)	0.10 (2.5)	4.69 (119)	0.79 (20)	0.75 (19)	0.43 (11)	4.33 (110)	9.06 (230)
125	3.70 (94)	4.88 (124)	1.22 (31)	0.13 (3.2)	5.47 (139)	0.98 (25)	0.87 (22)	0.55 (14)	5.12 (130)	10.83 (275)
160	4.65 (118)	6.14 (156)	1.40 (35.5)	0.16 (4)	7.13 (181)	1.18 (30)	1.22 (31)	0.55 (14)	6.69 (170)	12.40 (315)
200	4.80 (122)	6.38 (162)	1.41 (36)	0.16 (4)	7.13 (181)	1.18 (30)	1.22 (31)	0.71 (18)	6.69 (170)	13.19 (335)
250	5.91 (150)	7.87 (200)	1.77 (45)	0.08 (2)	8.60 (218)	1.57 (40)	1.57 (40)	0.87 (22)	7.87 (200)	14.76 (375)
320	6.69 (170)	9.21 (234)	1.97 (50)	0.08 (2)	9.37 (238)	1.77 (45)	1.77 (45)	1.02 (26)	8.66 (220)	16.54 (420)

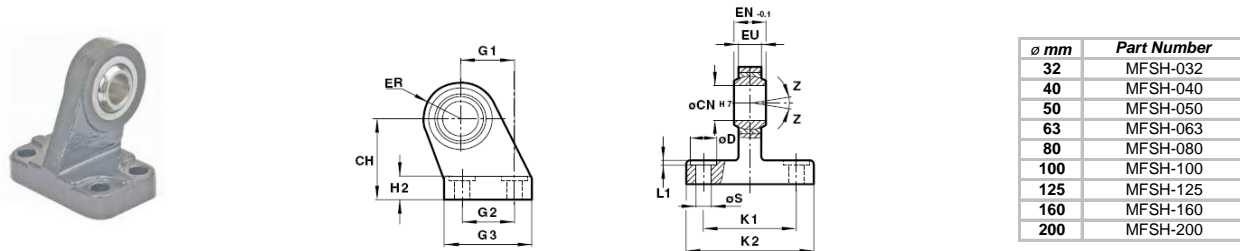
ISO 15552 Extruded Cylinders

Mounting Accessories for Extruded Cylinders

Narrow Rear Clevis



Bearing Swivel/Rear Hinge



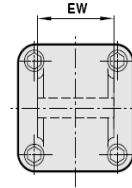
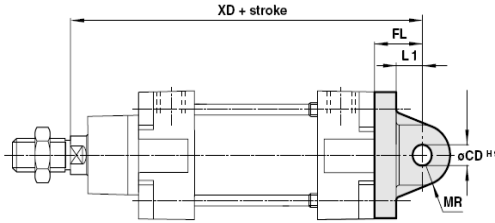
\varnothing mm	B1H14	B2	B3	CH	\varnothing CNH7	\varnothing D	\varnothing EKH9	EN-0.1	ER	EU	FL
32	0.55 (14)	1.34 (34)	0.13 (3.3)	1.26 (32)	0.39 (10)	0.43 (11)	0.39 (10)	0.55 (14)	0.63 (16)	0.41 (10.5)	0.87 (22)
40	0.63 (16)	1.57 (40)	0.17 (4.3)	1.42 (36)	0.47 (12)	0.43 (11)	0.47 (12)	0.63 (16)	0.75 (19)	0.47 (12)	0.98 (25)
50	0.83 (21)	1.77 (45)	0.17 (4.3)	1.77 (45)	0.63 (16)	0.59 (15)	0.63 (16)	0.83 (21)	0.83 (21)	0.59 (15)	1.06 (27)
63	0.83 (21)	2.01 (51)	0.17 (4.3)	1.97 (50)	0.63 (16)	0.59 (15)	0.63 (16)	0.83 (21)	0.94 (24)	0.59 (15)	1.26 (32)
80	0.98 (25)	2.56 (65)	0.17 (4.3)	2.48 (63)	0.79 (20)	0.71 (18)	0.79 (20)	0.98 (25)	1.10 (28)	0.71 (18)	1.42 (36)
100	0.98 (25)	2.95 (75)	0.17 (4.3)	2.80 (71)	0.79 (20)	0.71 (18)	0.79 (20)	0.98 (25)	1.18 (30)	0.71 (18)	1.61 (41)
125	1.46 (37)	3.82 (97)	0.25 (6.3)	3.54 (90)	1.18 (30)	0.79 (20)	1.18 (30)	1.46 (37)	1.57 (40)	0.98 (25)	1.97 (50)
160	1.69 (43)	4.80 (122)	0.25 (6.3)	4.53 (115)	1.38 (35)	0.79 (20)	1.38 (35)	1.69 (43)	1.73 (44)	1.10 (28)	2.17 (55)
200	1.69 (43)	4.80 (122)	0.25 (6.3)	5.31 (135)	1.38 (35)	0.94 (24)	1.38 (35)	1.69 (43)	1.89 (48)	1.10 (28)	2.36 (60)

\varnothing mm	G1	G2	G3	H2	K1	K2	L1	R1	R2	\varnothing S	XD
32	0.83 (21)	0.71 (18)	1.22 (31)	0.31 (8)	1.50 (38)	2.01 (51)	0.06 (1.6)	0.43 (11)	0.67 (17)	0.26 (6.6)	5.59 (142)
40	0.94 (24)	0.87 (22)	1.38 (35)	0.39 (10)	1.61 (41)	2.13 (54)	0.06 (1.6)	0.47 (12)	0.79 (20)	0.26 (6.6)	6.30 (160)
50	1.30 (33)	1.18 (30)	1.77 (45)	0.47 (12)	1.97 (50)	2.56 (65)	0.06 (1.6)	0.57 (14.5)	0.87 (22)	0.35 (9)	6.69 (170)
63	1.46 (37)	1.38 (35)	1.97 (50)	0.47 (12)	2.05 (52)	2.64 (67)	0.06 (1.6)	0.71 (18)	0.98 (25)	0.35 (9)	7.48 (190)
80	1.85 (47)	1.57 (40)	2.36 (60)	0.55 (14)	2.60 (66)	3.39 (86)	0.10 (2.5)	0.87 (22)	1.18 (30)	0.43 (11)	8.27 (210)
100	2.17 (55)	1.97 (50)	2.76 (70)	0.59 (15)	2.99 (76)	3.78 (96)	0.10 (2.5)	0.87 (22)	1.26 (32)	0.43 (11)	9.06 (230)
125	2.76 (70)	2.36 (60)	3.54 (90)	0.79 (20)	3.70 (94)	4.88 (124)	0.13 (3.2)	1.18 (30)	1.65 (42)	0.55 (14)	10.83 (275)
160	3.82 (97)	3.46 (88)	4.96 (126)	0.98 (25)	4.65 (118)	6.14 (156)	0.16 (4)	1.42 (36)	1.81 (46)	0.55 (14)	12.40 (315)
200	4.13 (105)	3.54 (90)	5.12 (130)	1.18 (30)	4.80 (122)	6.38 (162)	0.16 (4)	1.50 (38)	1.93 (49)	0.71 (18)	13.19 (335)

ISO 15552 Extruded Cylinders

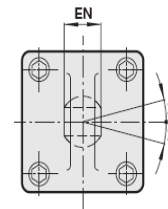
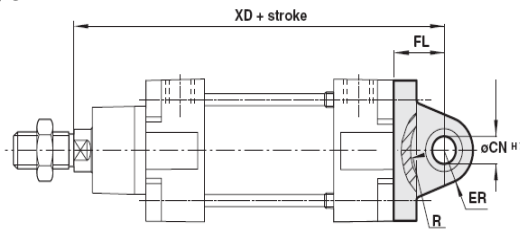
Mounting Accessories for Extruded Cylinders

Rear Eye



\varnothing mm	Part Number
32	MP4-032
40	MP4-040
50	MP4-050
63	MP4-063
80	MP4-080
100	MP4-100
125	MP4-125
160	MP4-160
200	MP4-200

Swivel Rear Eye



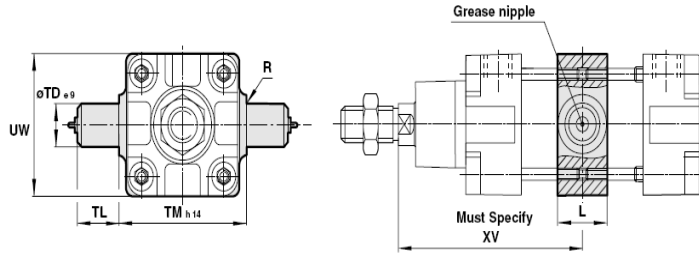
\varnothing mm	Part Number
32	MP4S-032
40	MP4S-040
50	MP4S-050
63	MP4S-063
80	MP4S-080
100	MP4S-100
125	MP4S-125
160	MP4S-160
200	MP4S-200

\varnothing mm	$\varnothing CD H9$	$\varnothing CN H7$	EN	ER	EW	FL	L1	MR	R	XD	Z
32	0.39 (10)	0.39 (10)	0.55 (14)	0.63 (16)	1.02 (25.8)	0.87 (22)	0.51 (13)	0.35 (9)	0.57 (14.5)	5.59 (142)	13°
40	0.47 (12)	0.47 (12)	0.63 (16)	0.75 (19)	1.09 (27.8)	0.98 (25)	0.63 (16)	0.47 (12)	0.71 (18)	6.30 (160)	13°
50	0.47 (12)	0.63 (16)	0.83 (21)	0.83 (21)	1.25 (31.7)	1.06 (27)	0.67 (17)	0.47 (12)	0.75 (19)	6.69 (170)	13°
63	0.63 (16)	0.63 (16)	0.83 (21)	0.94 (24)	1.56 (39.7)	1.26 (32)	0.87 (22)	0.59 (15)	0.94 (24)	7.48 (190)	15°
80	0.63 (16)	0.79 (20)	0.98 (25)	1.10 (28)	1.96 (49.7)	1.42 (36)	0.87 (22)	0.59 (15)	0.94 (24)	8.27 (210)	15°
100	0.79 (20)	0.79 (20)	0.98 (25)	1.18 (30)	2.35 (59.7)	1.61 (41)	1.06 (27)	0.79 (20)	1.14 (29)	9.06 (230)	15°
125	0.98 (25)	1.18 (30)	1.46 (37)	1.57 (40)	2.74 (69.7)	1.97 (50)	1.30 (33)	0.98 (25)	1.42 (36)	10.83 (275)	15°
160	1.18 (30)	1.38 (35)	1.69 (43)	1.73 (44)	3.53 (89.7)	2.17 (55)	1.40 (35.5)	1.18 (30)	1.61 (41)	12.40 (315)	16°
200	1.18 (30)	1.38 (35)	1.69 (43)	1.89 (48)	3.53 (89.7)	2.36 (60)	1.46 (37)	1.18 (30)	1.65 (42)	13.19 (335)	16°

ISO 15552 Extruded Cylinders

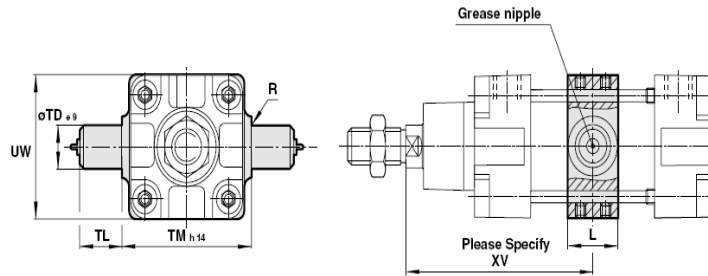
Mounting Accessories for Extruded Cylinders

Central Trunnion



ϕ mm	Part Number
32	MT4-032
40	MT4-040
50	MT4-050
63	MT4-063
80	MT4-080
100	MT4-100
125	MT4-125
160	MT4-160
200	MT4-200
250	MT4-250
320	MT4-320

Adjustable Trunnion



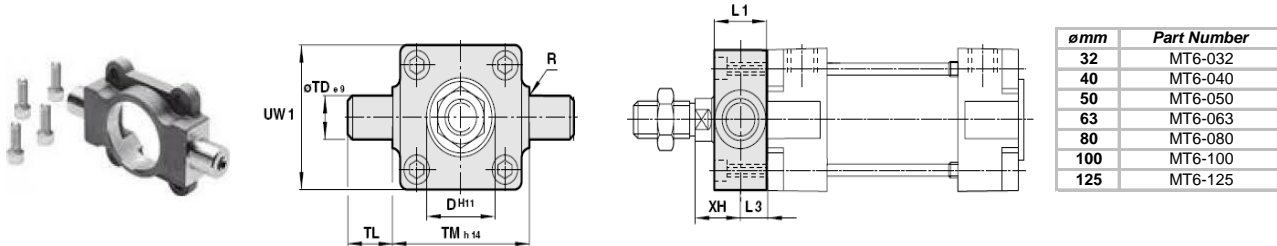
ϕ mm	Part Number
32	MT4A-032
40	MT4A-040
50	MT4A-050
63	MT4A-063
80	MT4A-080
100	MT4A-100
125	MT4A-125
160	MT4A-160
200	MT4A-200
250	MT4A-250
320	MT4A-320

ϕ mm	L	R	$\phi TDe9$	TL	TM _{h14}	UW	XV min	XV max	Torque
32	0.79 (20)	0.04 (1)	0.47 (12)	0.47 (12)	1.97 (50)	1.97 (50)	2.50 (63.5)	3.25 (82.5)	4.4 (6)
40	0.94 (24)	0.06 (1.6)	0.63 (16)	0.63 (16)	2.48 (63)	2.28 (58)	2.91 (74)	3.58 (91)	4.4 (6)
50	1.10 (28)	0.06 (1.6)	0.63 (16)	0.63 (16)	2.95 (75)	2.76 (70)	3.23 (82)	3.86 (98)	7.4 (10)
63	1.10 (28)	0.06 (1.6)	0.79 (20)	0.79 (20)	3.54 (90)	3.15 (80)	3.31 (84)	4.37 (111)	7.4 (10)
80	1.10 (28)	0.06 (1.6)	0.79 (20)	0.79 (20)	4.33 (110)	3.94 (100)	3.66 (93)	5.00 (127)	11.1 (15)
100	1.50 (38)	0.08 (2)	0.98 (25)	0.98 (25)	5.20 (132)	4.96 (126)	4.21 (107)	5.24 (133)	11.1 (15)
125	1.97 (50)	0.08 (2)	0.98 (25)	0.98 (25)	6.30 (160)	5.98 (152)	5.35 (136)	6.06 (154)	18.4 (25)
160	1.97 (50)	0.10 (2.5)	1.26 (32)	1.26 (32)	7.87 (200)	7.56 (192)	6.10 (155)	7.28 (185)	29.5 (40)
200	1.97 (50)	0.10 (2.5)	1.26 (32)	1.26 (32)	9.84 (250)	9.45 (240)	6.69 (170)	7.87 (200)	29.5 (40)
250	2.36 (60)	0.13 (3.2)	1.57 (40)	1.57 (40)	12.60 (320)	12.52 (318)	7.60 (193)	8.54 (217)	–
320	2.76 (70)	0.13 (3.2)	1.97 (50)	1.97 (50)	15.75 (400)	15.75 (400)	8.46 (215)	9.65 (245)	–

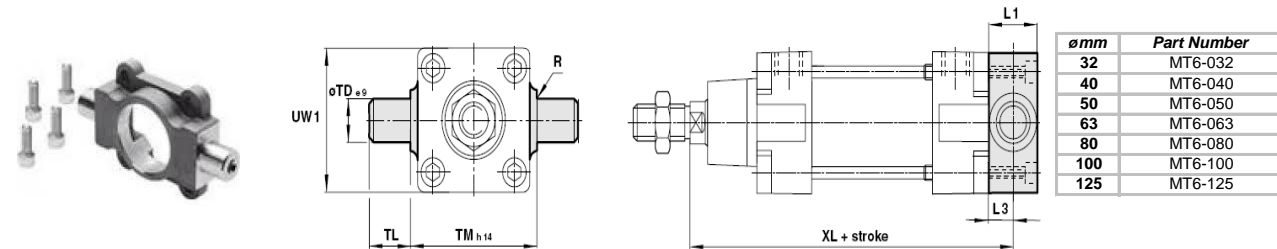
ISO 15552 Extruded Cylinders

Mounting Accessories for Extruded Cylinders

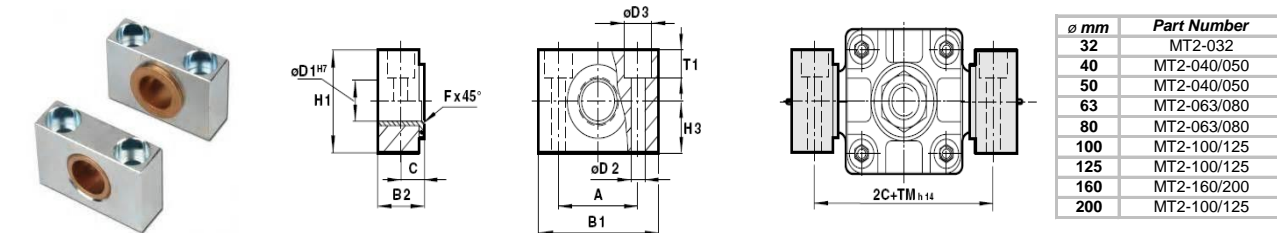
Head Detachable Trunnion



Cap Detachable Trunnion



Swivel Bearing for Trunnion Mounts



ømm	A	B1	B2	C	øDH11	øD1H7	øD2	øD3	Fx45°	H1	H3
32	1.26 (32)	1.81 (46)	0.71 (18)	0.41 (10.5)	1.18 (30)	0.47 (12)	0.26 (6.6)	0.43 (11)	0.04 (1)	1.18 (30)	0.59 (15)
40	1.42 (36)	2.17 (55)	0.83 (21)	0.47 (12)	1.38 (35)	0.63 (16)	0.35 (9)	0.59 (15)	0.06 (1.6)	1.42 (36)	0.71 (18)
50	1.42 (36)	2.17 (55)	0.83 (21)	0.47 (12)	1.57 (40)	0.63 (16)	0.35 (9)	0.59 (15)	0.06 (1.6)	1.42 (36)	0.71 (18)
63	1.65 (42)	2.56 (65)	0.91 (23)	0.51 (13)	1.77 (45)	0.79 (20)	0.43 (11)	0.71 (18)	0.06 (1.6)	1.57 (40)	0.79 (20)
80	1.65 (42)	2.56 (65)	0.91 (23)	0.51 (13)	1.77 (45)	0.79 (20)	0.43 (11)	0.71 (18)	0.06 (1.6)	1.57 (40)	0.79 (20)
100	1.97 (50)	2.95 (75)	1.12 (28.5)	0.63 (16)	2.17 (55)	0.98 (25)	0.55 (14)	0.79 (20)	0.08 (2)	1.97 (50)	0.98 (25)
125	1.97 (50)	2.95 (75)	1.12 (28.5)	0.63 (16)	2.36 (60)	0.98 (25)	0.55 (14)	0.79 (20)	0.08 (2)	1.97 (50)	0.98 (25)
160	2.36 (60)	3.62 (92)	1.54 (39)	0.85 (21.5)	—	1.26 (32)	0.71 (18)	1.02 (26)	0.10 (2.5)	2.36 (60)	1.18 (30)
200	2.36 (60)	3.62 (92)	1.54 (39)	0.85 (21.5)	—	1.26 (32)	0.71 (18)	1.02 (26)	0.10 (2.5)	2.36 (60)	1.18 (30)

ømm	L1	L3	R	øTDe9	TL	TMh14	T1	UW1	XH	XL
32	0.63 (16)	0.31 (8)	0.04 (1)	0.47 (12)	0.47 (12)	1.97 (50)	0.31 (6.8)	1.97 (50)	0.71 (18)	5.04 (128)
40	0.79 (20)	0.39 (10)	0.06 (1.6)	0.63 (16)	0.63 (16)	2.48 (63)	0.35 (9)	2.17 (55)	0.79 (20)	5.71 (145)
50	0.94 (24)	0.47 (12)	0.06 (1.6)	0.63 (16)	0.63 (16)	2.95 (75)	0.35 (9)	2.56 (65)	0.98 (25)	6.10 (155)
63	0.94 (24)	0.47 (12)	0.06 (1.6)	0.79 (20)	0.79 (20)	3.54 (90)	0.43 (11)	2.95 (75)	0.98 (25)	6.69 (170)
80	1.10 (28)	0.55 (14)	0.06 (1.6)	0.79 (20)	0.79 (20)	4.33 (110)	0.43 (11)	3.94 (100)	1.26 (32)	7.40 (188)
100	1.50 (38)	0.75 (19)	0.08 (2)	0.98 (25)	0.98 (25)	5.20 (132)	0.51 (13)	4.72 (120)	1.26 (32)	8.19 (208)
125	1.97 (50)	0.98 (25)	0.08 (2)	0.98 (25)	0.98 (25)	6.30 (160)	0.51 (13)	5.71 (145)	1.57 (40)	9.84 (250)
160	—	—	0.10 (2.5)	1.26 (32)	1.26 (32)	7.87 (200)	0.61 (15.5)	—	—	—
200	—	—	0.10 (2.5)	1.26 (32)	1.26 (32)	9.84 (250)	0.61 (15.5)	—	—	—