

# ROCKY

## Series RPC 2/2-Way Piston Valves Michelin-Flange Normally open

# airtec

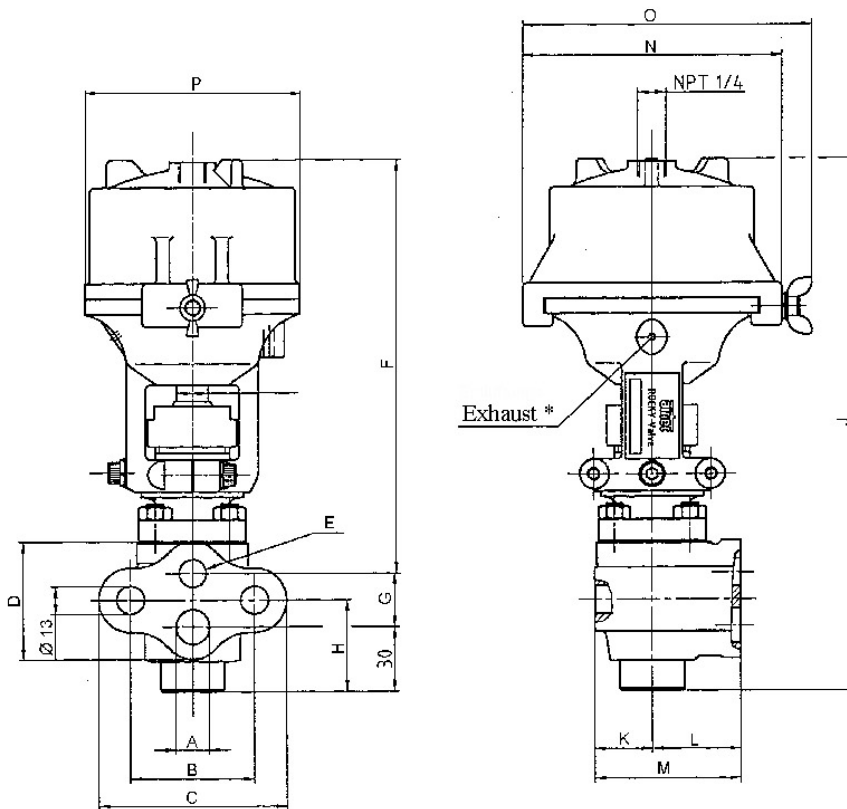
### Description

These valves are designed for the use with Steam, Hot Water, Cold Water, Air, Gas or on Vacuum Service.

**Operating Pressure :** max. 32 bar  
**Pilot Pressure :** 2,5 – 3,5 bar  
**Temperature Range :** -30° C - + 230° C

**Material of Body :** stainless steel casting  
**Material of Stem and Seat :** stainless steel  
**Material of Packing :** graphite-reinforced teflon

### Dimensions (mm)



\* The exhaust port at the RPC-3222-32N is turned by 90°.

Order number	A	B	C	D	E	F	G	H	J	K	L	M	N	O	P
RPC-3222-15N	Ø 16	58	88	55	Ø 13	193	25	42,5	248	27	41,5	68,5	Ø 122	136	Ø 100
RPC-3222-20N	Ø 19	64	92	80	Ø 19	232	40	50	302	32	43	75	Ø 152	166	Ø 128

# ROCKY

## Series OPC 2/2-Way Piston Valves Michelin Type 1 Normally closed

# airtec

### Description

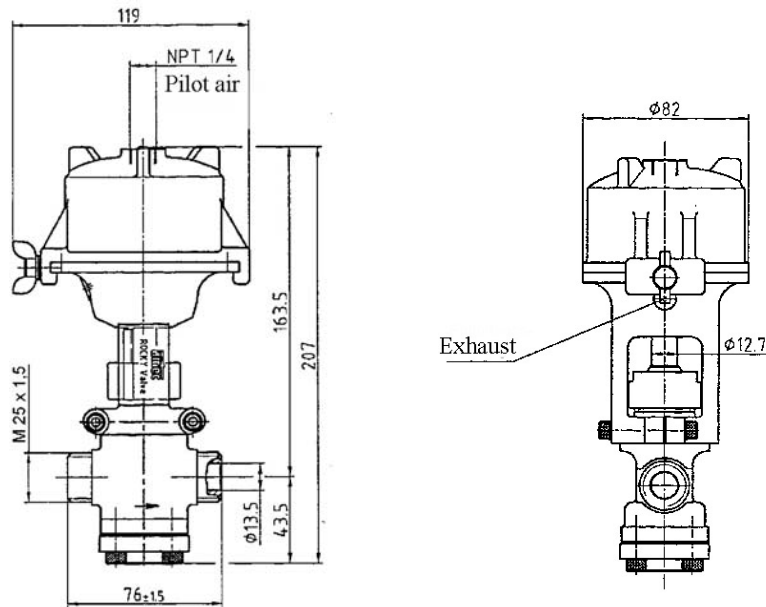
These valves are designed for the use with Steam, Hot Water, Cold Water, Air, Gas or on Vacuum Service.

**Operating Pressure :** max. 32 bar  
**Pilot Pressure :** 2,5 – 3,5 bar  
**Temperature Range :** -30° C - + 230° C

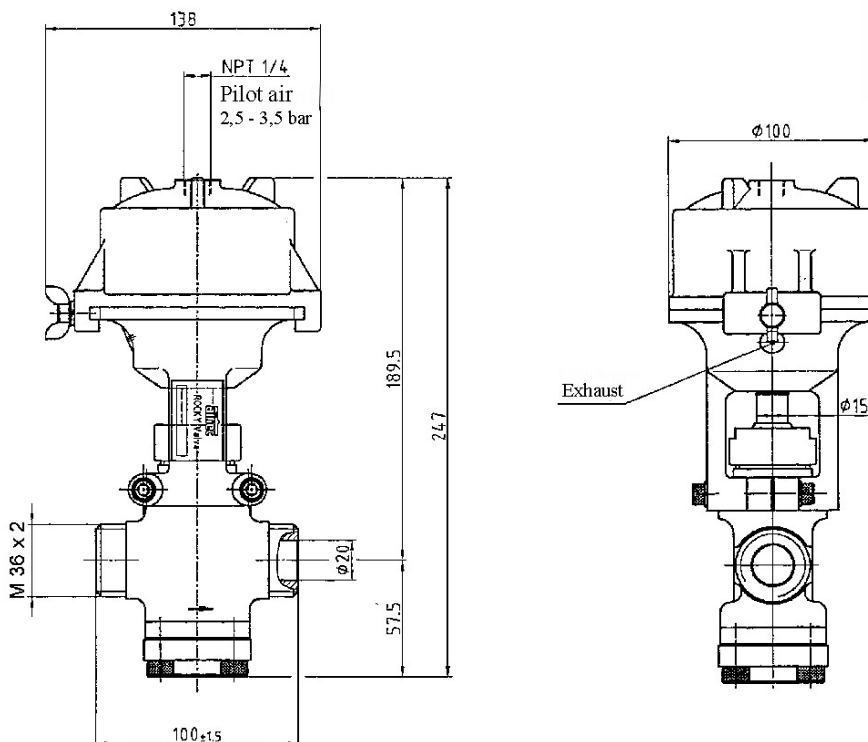
**Material of Body :** stainless steel casting  
**Material of Stem and Seat :** stainless steel  
**Material of Packing :** graphite-reinforced teflon

### Dimensions (mm)

#### OPC-3211-15N



#### OPC-3211-20N



# ROCKY

## Series OPC 2/2-Way Piston Valve Michelin Type 1 Normally Open

# airtec

### Description

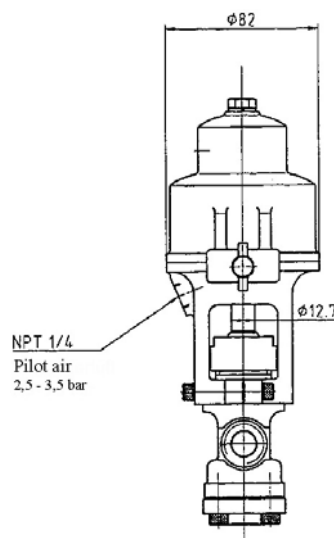
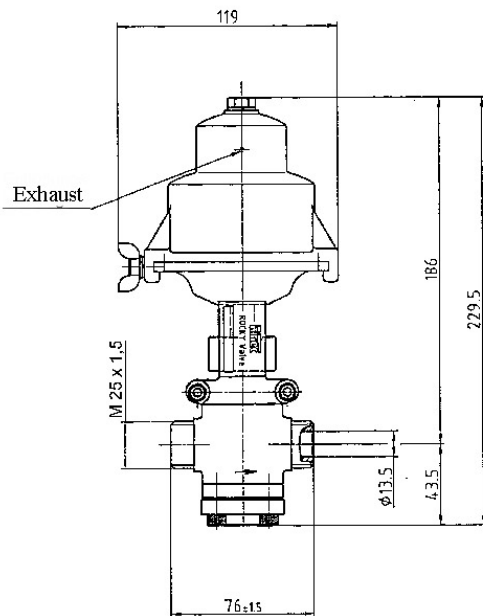
These valves are designed for the use with Steam, Hot Water, Cold Water, Air, Gas or on Vacuum Service.

**Operating Pressure :** max. 32 bar  
**Pilot Pressure :** 2,5 – 3,5 bar  
**Temperature Range :** -30° C - + 230° C

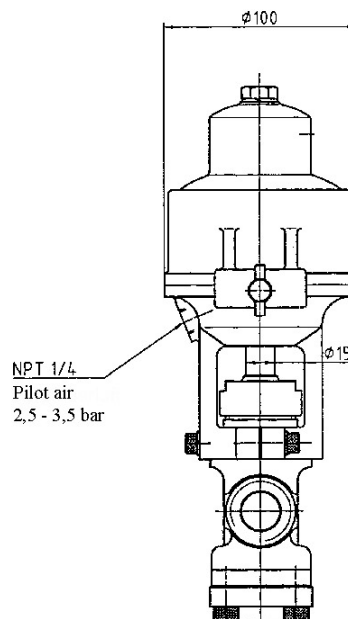
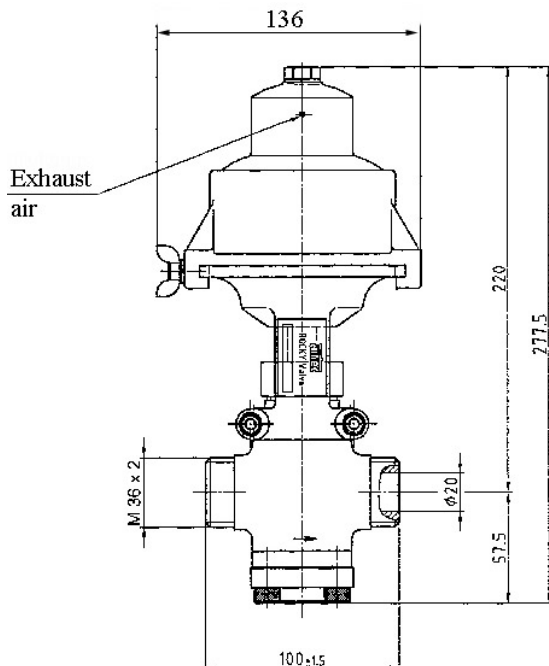
**Material of Body :** stainless steel casting  
**Material of Stem and Seat :** stainless steel  
**Material of Packing :** graphite-reinforced teflon

### Dimensions (mm)

OPC-3221-15N



OPC-3221-20N



# ROCKY

## Series RPC 2/2-Way Piston Valves Michelin-Flange Normally Closed

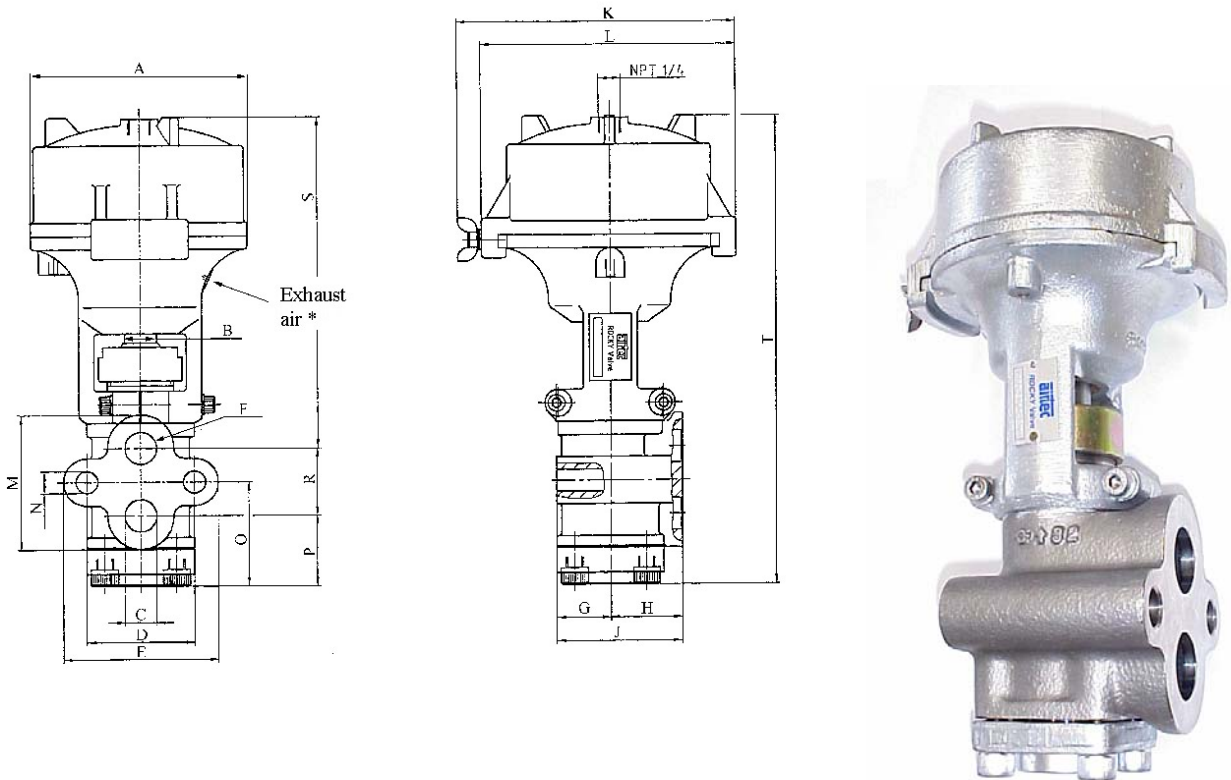
# airtec

### Description

These valves are designed for the use with Steam, Hot Water, Cold Water, Air, Gas or on Vacuum Service.

<b>Operating Pressure :</b>	max. 32 bar	<b>Material of Body :</b>	stainless steel casting
<b>Pilot Pressure :</b>	2,5 – 3,5 bar	<b>Material of Stem and Seat :</b>	stainless steel
<b>Temperature Range :</b>	-30° C - + 230° C	<b>Material of Packing :</b>	graphite-reinforced teflon

### Dimensions (mm)



\*The exhaust port at the RPC-3212-32N is turned by 90°.

Order number	Ø A	Ø B	Ø C	D	E	Ø F	G	H	J	K	Ø L	M	Ø N	O	P	R	S	T
RPC-3212-15N	100	15	16	58	88	13	27	41,5	68,5	136	122	55	13	45,5	33	25	168	226
RPC-3212-20N	128	19	19	64	92	19	32	43	75	166	152	80	13	62	42	40	198	280
RPC-3212-32N	142	26	32	90	124	32	40	60	100	182	168	114	17	81	56	50	227	333